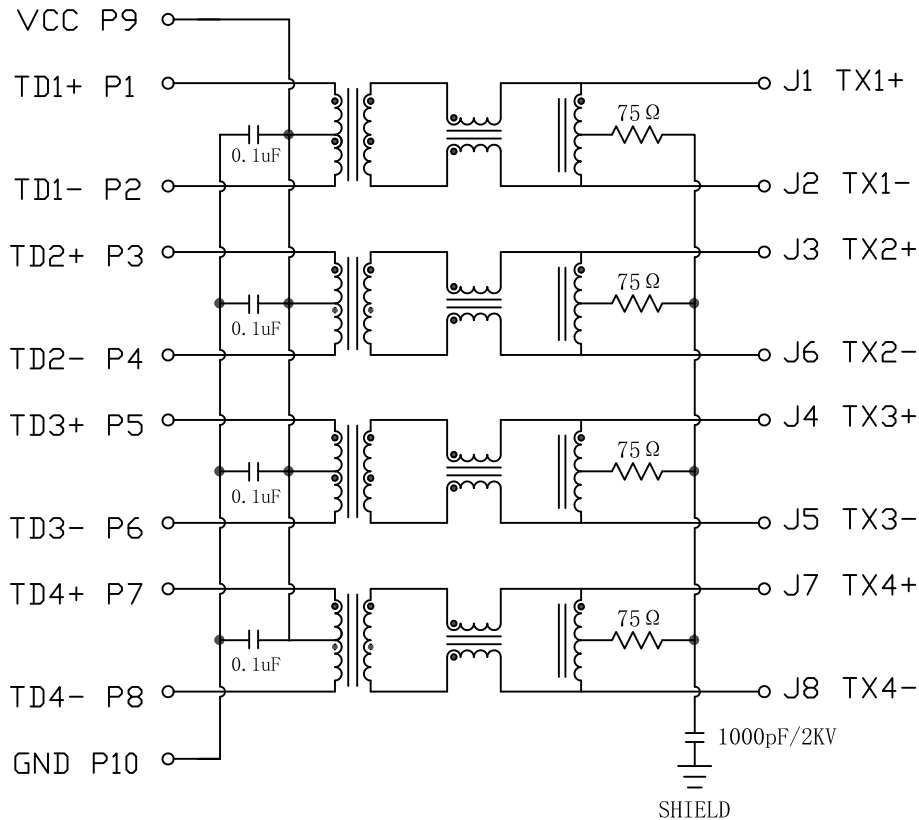


Schematic:

REV.	ECN NO.	DESCRIPTION	DATE	APPD
A	REL		2014/06/24	

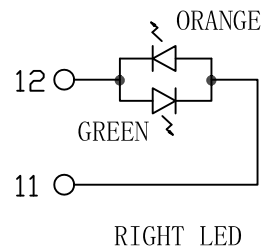
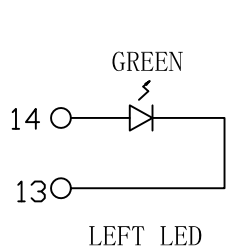
PCB CONNECTIONS



RJ45 CONNECTOR

Electrical Specifications @25°C

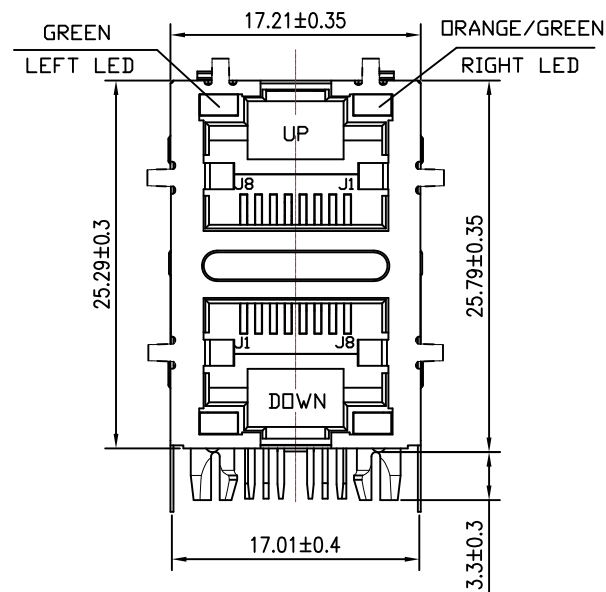
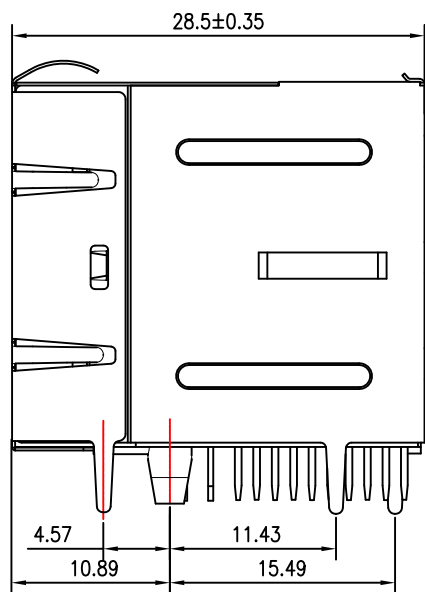
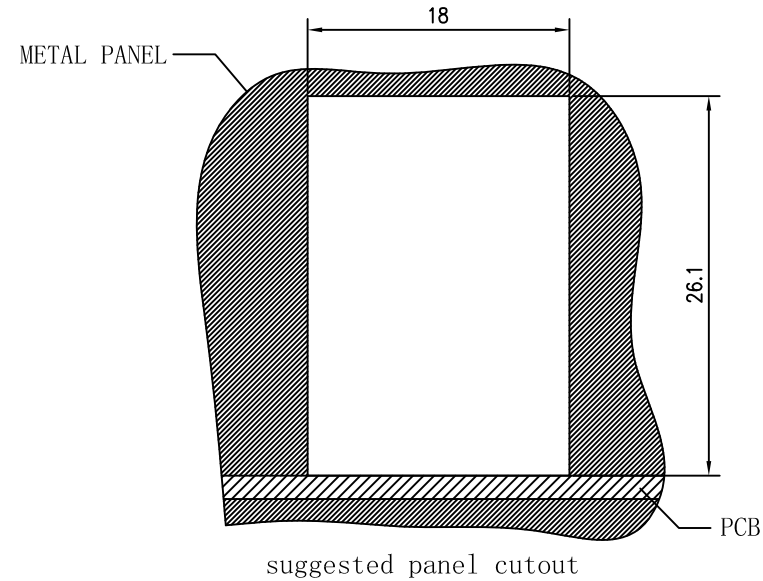
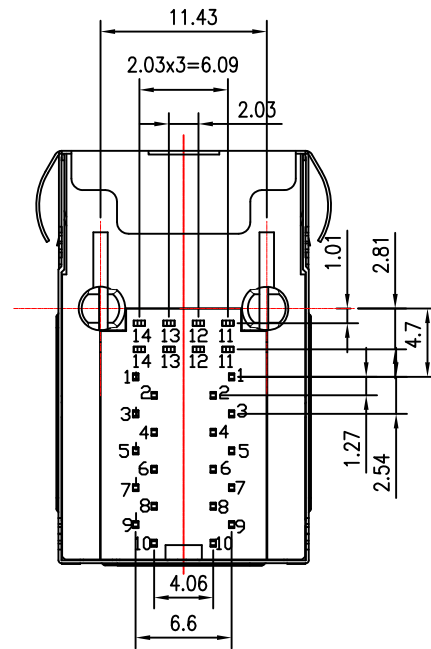
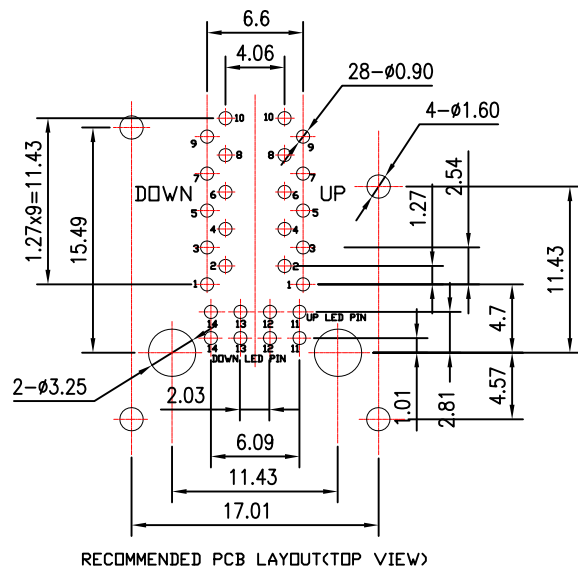
- Turns Ratio:
PRI:SEC = 1CT:1 ±2%
- OCL: 350uH MIN
@100KHz, 100mV, 8mADC
- Insertion Loss:
1~100MHz:-1.0dB MAX
- Return Loss (dB MIN @100Ω):
1~30MHz:-18 30~60MHz:-16
60~80MHz:-12 80~100MHz:-10
- Crosstalk:
1~100MHz:-30dB MIN
- Common Mode Rejection:
1~100MHz: -30dB MIN
- Isolation: 1500Vrms MIN
- Operating Temperature: 0°C~70°C.



Emitting Color	λp(nm)	Vf@If=20mA	IR @VR=5V
GREEN	565	1.8~2.6V	10uA MAX
ORANGE / GREEN	610 / 565	1.8~2.6V	10uA MAX

X:X	±0.25	APPD:	LINK-PP INT'L TECHNOLOGY CO., LIMITED
X:XX	±0.15	CHKD:	
X:XXX	±0.05	DR: TOM	TITLE: RJ45 2×1 w/Transformer 1000 Base-T w/LED
ANGLES	±1°	UNIT: mm	PART NO.: LPJG17512A26NL
	SCALE: 2/1	SHEET: 1/2	REV: A DWG NO.: LP07061928

Mechanical :



NOTES:

1. Designed to support application, such as SOHO (ADSL modems), LAN-on-Motherboard (LOM), hub and Switches.
2. Meets IEEE 802.3 specification
3. Connector Materials:
Housing: Thermoplastic UL94V-0
Contact/Shield: Copper alloy
Shield plating: Nickel
Contact plating: Gold 6 micro-inches min. In contact area.
4. Wave solder tip temperature: 265°C Max, 5 Sec.
5. UL Certification: File Number E484635.

X:X	±0.25	APPD:	LINK-PP INT'L TECHNOLOGY CO., LIMITED
X:XX	±0.15	CHKD:	
X:XXX	±0.05	DR: TOM	TITLE: RJ45 2×1 w/Transformer 1000 Base-T w/LED
ANGLES	±1°	UNIT: mm	PART NO.: LPJG17512A26NL
	SCALE: 2/1	SHEET: 2/2	REV: A
			DWG NO.: LP07061928