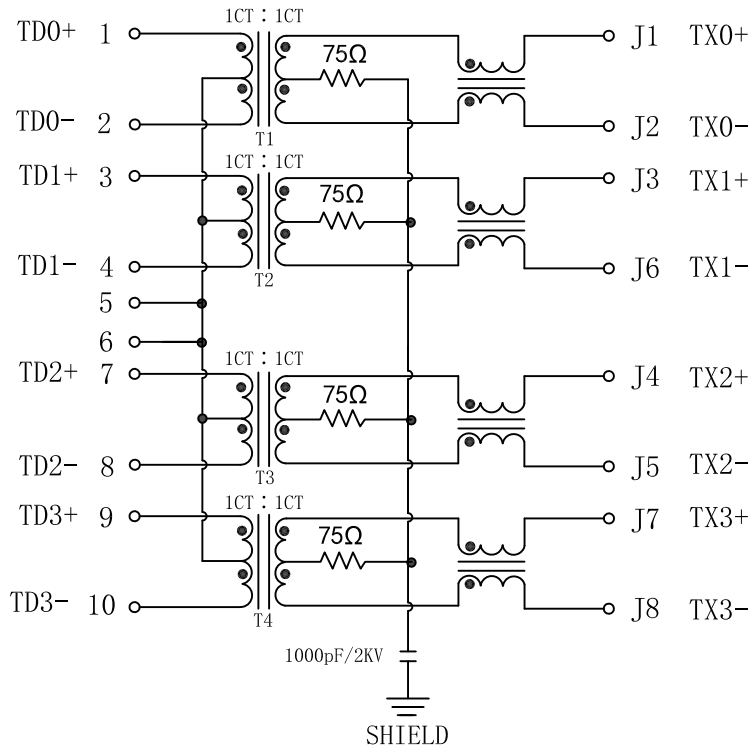


# Schematic:

REV.	ECN NO.	DESCRIPTION	DATE	APPD
A	REL		2014-07-28	

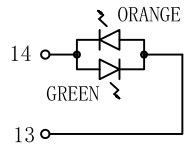
PCB CONNECTIONS



RJ45 CONNECTOR

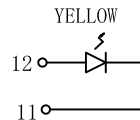
## Electrical Specifications @25°C

- Turns Ratio ( $\pm 2\%$ ):  
Pri:Sec = 1CT:1CT
- OCL: 350uH Min  
@100KHz 100mV With 8mA DC
- Insertion Loss:  
1-100MHz:-1.2dB MAX
- Return Loss(dB MIN):  
1-30MHz:-16      30-60MHz:-12  
60-80MHz:-10
- Crosstalk(dB MIN):  
1-30MHz:-40      30-60MHz:-35  
60-100MHz:-30
- CMR(dB MIN):  
1-60MHz:-43      60-100MHz:-35
- Hipot: 1500V AC 6S 1mA
- Operating Temperature:  $-40^{\circ}\text{C} \sim +85^{\circ}\text{C}$ .



LEFT LED

LED POLARITY		COLOR
PIN 13	PIN 14	
-	+	GREEN
+	-	ORANGE



RIGHT LED

LED POLARITY		COLOR
PIN 11	PIN 12	
-	+	YELLOW

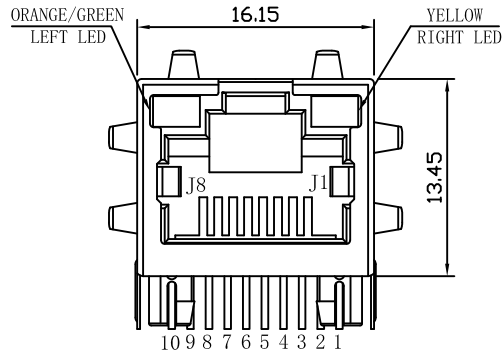


Emitting Color	$\lambda$ p(nm)	VF@IF=20mA	IR @VR=5V
ORANGE / GREEN	610 / 565	1.8~2.6V	10 $\mu$ A max
YELLOW	585	1.8~2.6V	10 $\mu$ A max

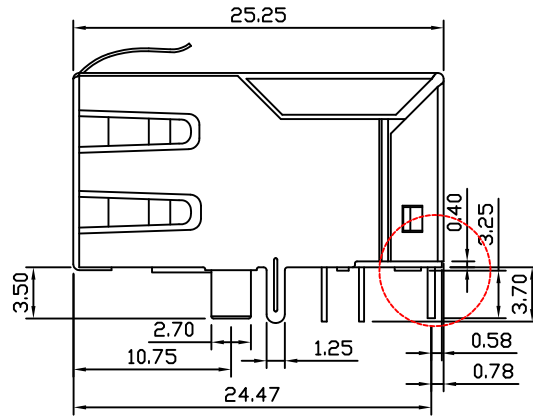
X:X	$\pm 0.30$	APPD:	LINK-PP INT'L TECHNOLOGY CO., LIMITED	
X:XX	$\pm 0.25$	CHKD:	TITLE: RJ45 Connector with 1000 Base-T Integrated Magnetics	
X:XXX	$\pm 0.05$	DR: TOM	PART NO.: LPJG17401AONL	
ANGLES	$\pm 1^{\circ}$	UNIT: mm	DWG NO.: LP14072836	
	SCALE: 2/1	SHEET: 1/2	REV: A	

# Mechanical:

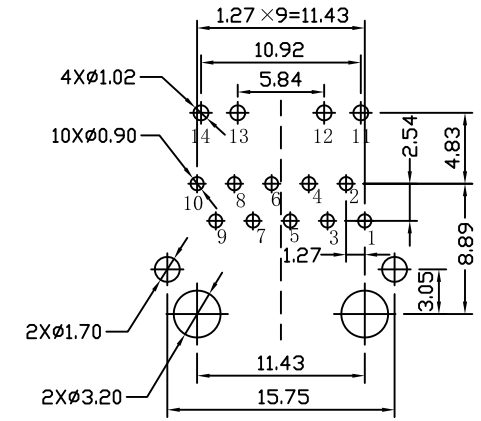
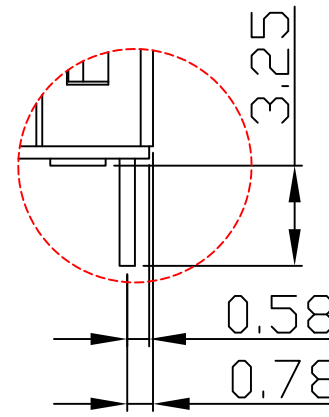
REV.	ECN NO.	DESCRIPTION	DATE	APPD
A	REL		2014-07-28	



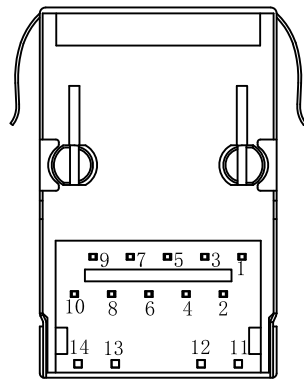
Front Side View



Left Side View



Suggested PCB Layout (Top View)



Bottom Side View



Top Side View

## NOTES:

1. Designed to support application, such as SOHO (ADSL modems), LAN-on-Motherboard (LOM), hub and Switches.
2. Meets IEEE 802.3 specification
3. Connector Materials:  
Housing: Thermoplastic PBT+30%G.F UL94V-0  
Contact: Phosphor Bronze C5210R-EH Thickness=0.35mm  
Pins: Brass C2680R-H Thickness=0.35mm  
Shield: SUS 201-1/2H Thickness=0.2mm  
Contact plating: Gold 6 micro-inches Min. In contact area.
4. Wave solder tip temperature: 265°C Max, 5 Sec Max.
5. Standard is the lamp holder and rubber shell flat, tolerance +/- 0.3mm.
6. UL Certification: File Number E484635.

X:X ±0.30	APPD:	LINK-PP INT'L TECHNOLOGY CO., LIMITED
X:XX ±0.25	CHKD:	
X:XXX ±0.05	DR: TOM	TITLE: RJ45 Connector with 1000 Base-T Integrated Magnetics
ANGLES ±1°	UNIT: mm	PART NO.: LPJG17401A0NL
	SCALE: 2/1	SHEET: 2/2
	REV: A	DWG NO.: LP14072836