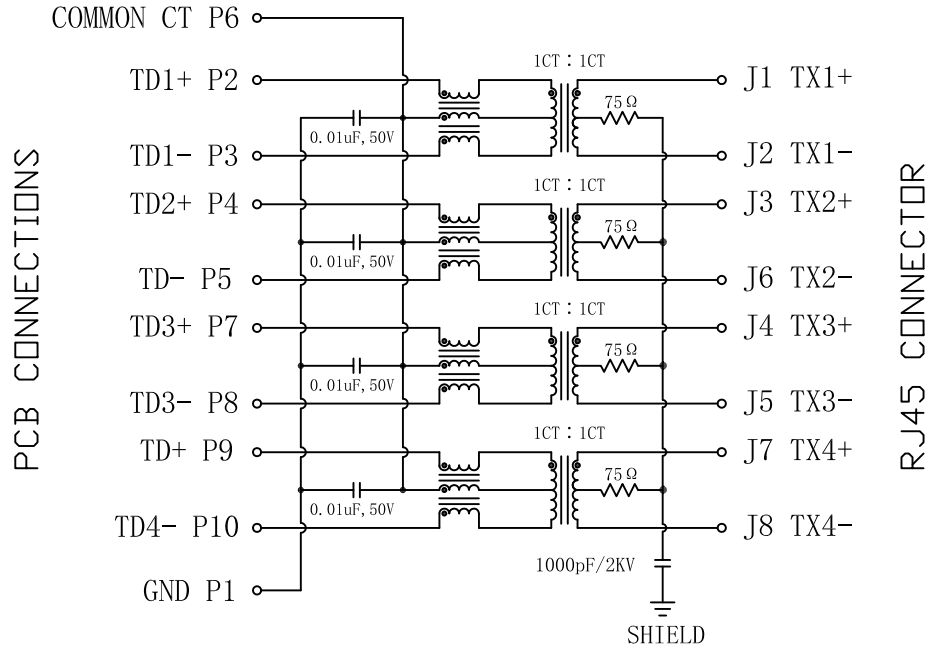


Schematic:

REV.	ECN NO.	DESCRIPTION	DATE	APPD
A	REL		2013-10-22	

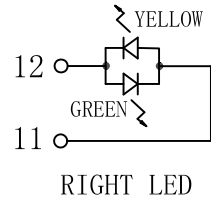
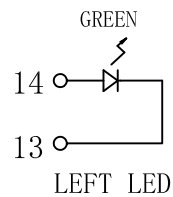


Electrical Specifications @25°C

- Turns Ratio ($\pm 2\%$):
1CT : 1CT
- Inductance: 350uH Min
@100KHz, 0.1V, 8mA DC BIAS
- Insertion Loss:
0.1-100MHz: -1.1dB Max
- Return Loss (dB Min):
0.5-40MHz: -18
40.1-100MHz: -12-20LOG (f/80MHz)
- Cross Talk (dB Min):
0.5-40MHz: -35
40.1-100MHz: -33-20LOG (f/50)
- Common Mode Rejection Ratio (CMRR):
0.5-100MHz: -30dB Min
- Hipot: 1500Vrms.
- Operating Temperature: 0°C ~ 70°C.

PCB CONNECTIONS

RJ45 CONNECTOR

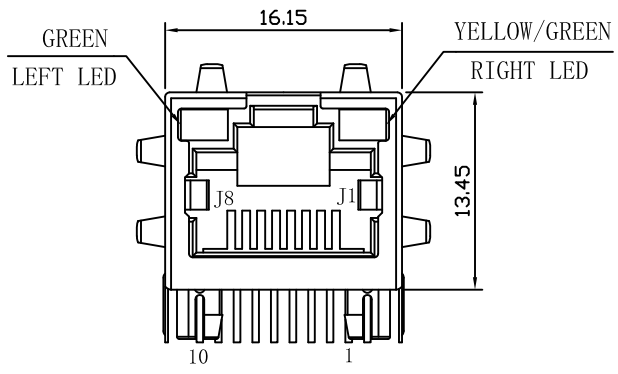


Emitting Color	λ p(nm)	VF@IF=20mA	IR @VR=5V
GREEN	565	1.8~2.6V	10 μ A max
YELLOW	585	1.8~2.6V	10 μ A max

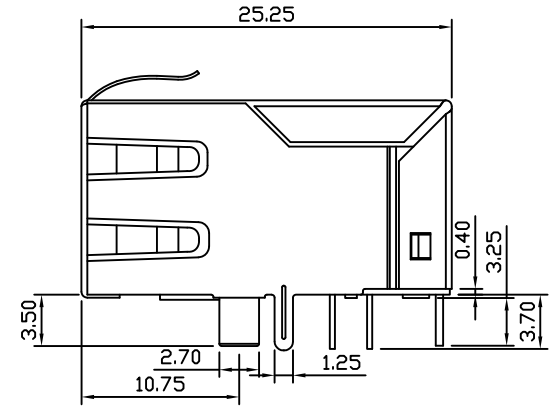
X:X	± 0.30	APPD:	LINK-PP INT'L TECHNOLOGY CO., LIMITED	
X:XX	± 0.25	CHKD:	TITLE: RJ45 Connector with 1000 Base-T Integrated Magnetics	
X:XXX	± 0.05	DR: TOM	PART NO.: LPJG17366A8NL	
ANGLES	$\pm 1^\circ$	UNIT: mm	DWG NO.: LP13102212	
	SCALE: 2/1	SHEET: 1/2	REV: A	

Mechanical:

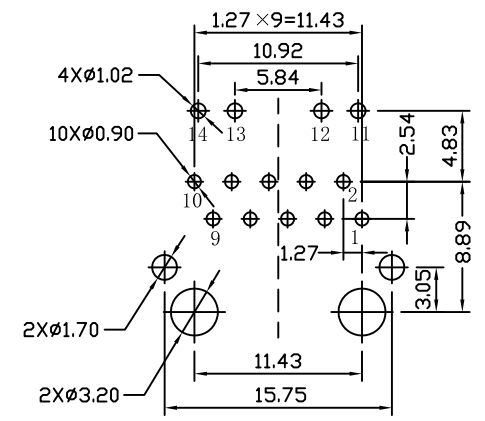
REV.	ECN NO.	DESCRIPTION	DATE	APPD
A	REL		2013-10-22	



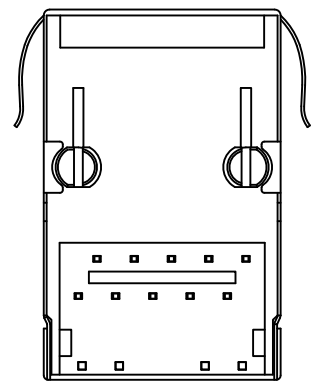
Front Side View



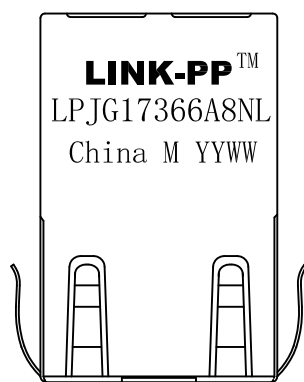
Left Side View



Suggested PCB Layout (Top View)



Bottom Side View



Top Side View

NOTES:

1. Designed to support application, such as SOHO (ADSL modems), LAN-on-Motherboard (LOM), hub and Switches.
2. Meets IEEE 802.3 specification
3. Connector Materials:
 Housing: Thermoplastic PBT+30%G.F UL94V-0
 Contact: Phosphor Bronze C5210R-EH Thickness=0.35mm
 Pins: Brass C2680R-H Thickness=0.35mm
 Shield: SUS 201-1/2H Thickness=0.2mm
 Contact plating: Gold 6 micro-inches min. In contact area.
4. Wave solder tip temperature: 265°C Max, 5 Sec Max.

X:X ±0.30	APPD:	LINK-PP INT'L TECHNOLOGY CO., LIMITED
X:XX ±0.25	CHKD:	
X:XXX ±0.05	DR: TOM	TITLE: RJ45 Connector with 1000 Base-T Integrated Magnetics
ANGLES ±1°	UNIT: mm	PART NO.: LPJG17366A8NL
	SCALE: 2/1	SHEET: 2/2
	REV: A	DWG NO.: LP13102212