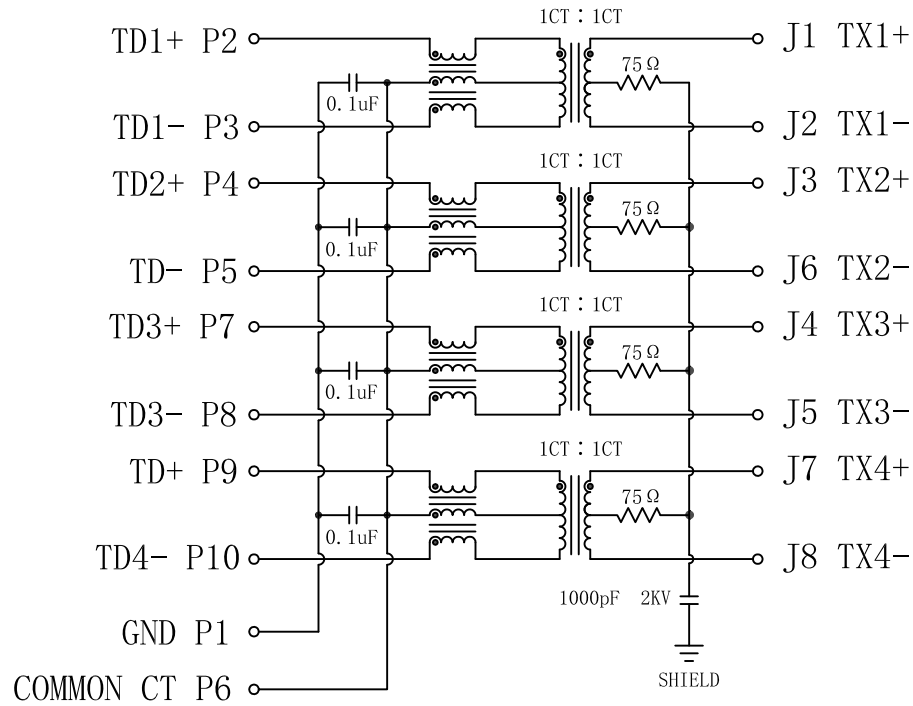


# Schematic:

REV.	ECN NO.	DESCRIPTION	DATE	APPD
A	REL		2009/09/01	

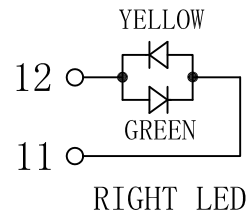
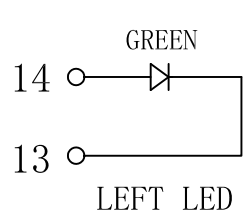
PCB CONNECTOR



RJ45 CONNECTOR

## Electrical Specifications @25°C

- Turns Ratio ( $\pm 2\%$ ):  
TX=1CT : 1CT      RX=1CT : 1CT
- Inductance: 350uH Min  
@100KHz, 0.1V, 8mA DC BIAS
- Insertion Loss:  
0.1-100MHz: -1.2dB Max
- Return Loss (dB Min):  
0.5-40MHz: -18  
40-100MHz:  $-12 + 20 \log(f/80\text{MHz})$
- Cross Talk (dB Min):  
1-30MHz: -35      30-80MHz: -24  
80-100MHz: -25
- Cm TO Cm Rejection:  
0.1-100MHz: -30dB Min
- Cm TO Dm Rejection:  
0.1-100MHz: -35dB Min
- Hipot: 1500Vrms.
- Operating Temperature: 0°C ~ 70°C.



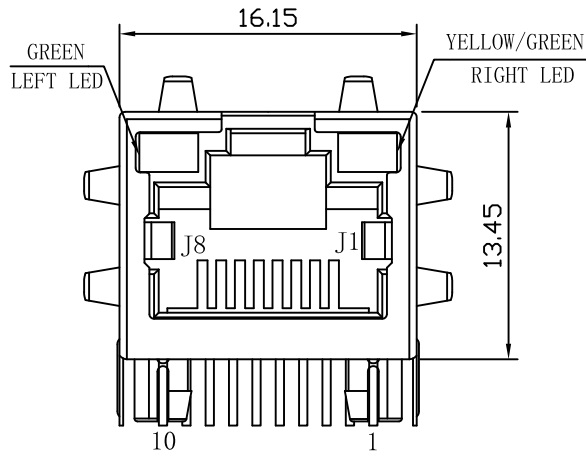
Emitting Color	$\lambda$ p(nm)	VF@IF=20mA	IR @VR=5V
GREEN	565	1.8~2.6V	10 $\mu$ A max
YELLOW	585	1.8~2.6V	10 $\mu$ A max



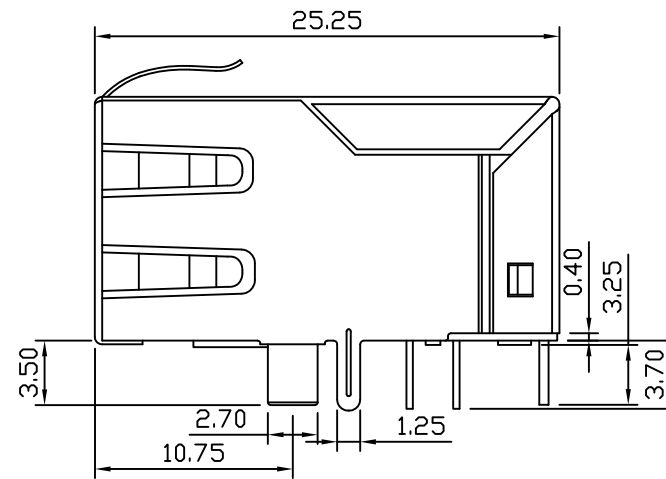
X:X	$\pm 0.25$	APPD:	LINK-PP INT'L TECHNOLOGY CO., LIMITED	
X:XX	$\pm 0.20$	CHKD:	TITLE: RJ45 Connector with 1000 Base-T Integrated Magnetics	
X:XXX	$\pm 0.05$	DR: TOM		
ANGLES	$\pm 1^\circ$	UNIT: mm	PART NO.: LPJG17332A8NL	
	SCALE: 2/1	SHEET: 1/2	REV: A	DWG NO.: LP09090103

# Mechanical:

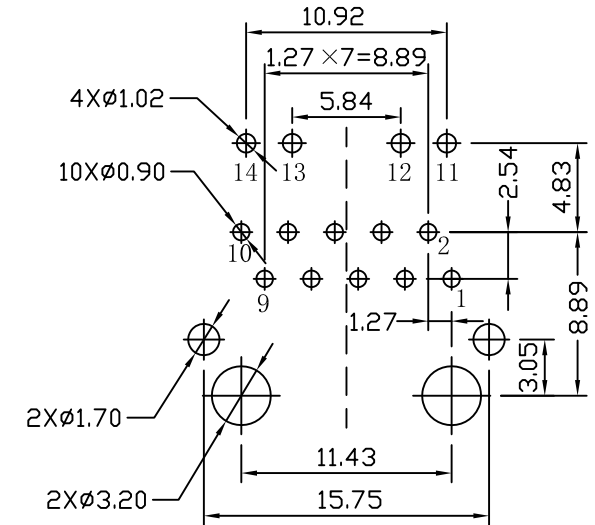
REV.	ECN NO.	DESCRIPTION	DATE	APPD
A	REL		2009/09/01	



Front Side View



Left Side View

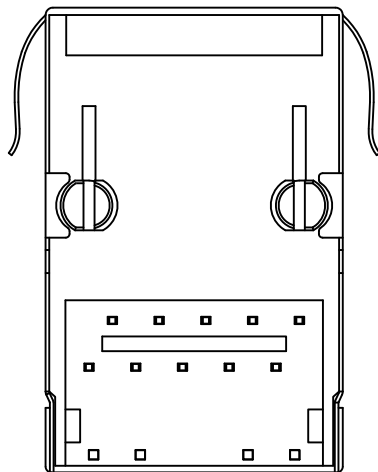


Suggested PCB Layout (Top View)

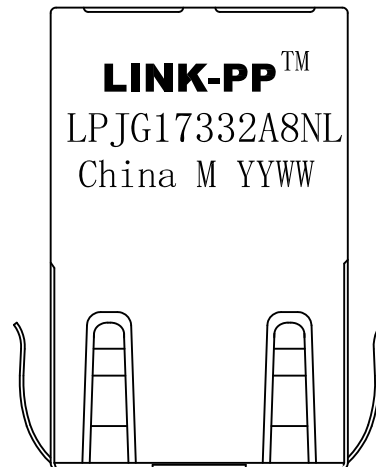


## NOTES:

1. Designed to support application, such as SOHO (ADSL modems), LAN-on-Motherboard (LOM), hub and Switches.
2. Meets IEEE 802.3 specification
3. Connector Materials:  
Housing Material: Thermoplastic PBT+30%G. F UL94V-0  
Contact Material: Phosphor Bronze C5210R-EH Thickness=0.35mm  
Pins: Brass C2680R-H Thickness=0.35mm  
Shield: SUS S304-1/2H Thickness=0.2mm  
Contact plating: Gold 6 micro-inches min. In contact area.
4. Wave solder tip temperature: 265°C Max, 5 Sec Max



Bottom Side View



Top Side View

X:X ±0.25	APPD:	LINK-PP INT'L TECHNOLOGY CO., LIMITED
X:XX ±0.20	CHKD:	
X:XXX ±0.05	DR: TOM	TITLE: RJ45 Connector with 1000 Base-T Integrated Magnetics
ANGLES ±1°	UNIT: mm	PART NO.: LPJG17332A8NL
	SCALE: 2/1	SHEET: 2/2
	REV: A	DWG NO.: LP09090103