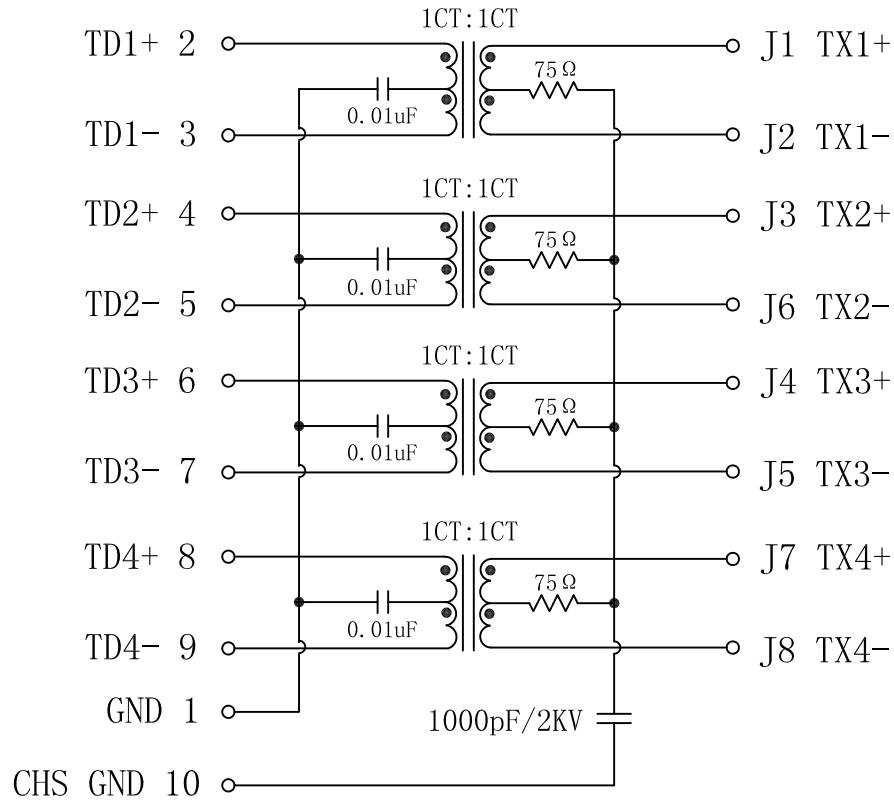


Schematic:

| REV. | ECN NO. | DESCRIPTION | DATE       | APPD |
|------|---------|-------------|------------|------|
| A    | REL     |             | 2012/01/06 |      |

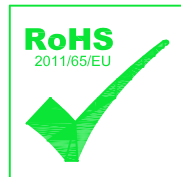
PCB CONNECTIONS



RJ45 CONNECTOR

ELECTRICAL SPECIFICATIONS @25°C

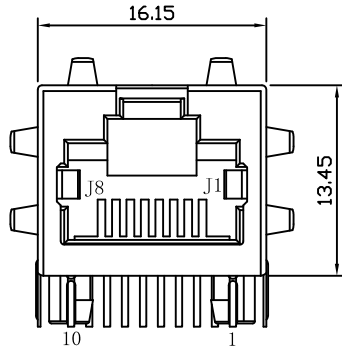
- Turn ratio( $\pm 3\%$ ):  
PRI : SEC = 1CT : 1CT
- Inductance OCL: 350uH MIN  
@100KHz/0.1V, 8mA DC Bias
- Insertion loss:  
-1.1dB MAX @ 1-100MHz
- Return loss:  
-18dB MIN @ 1-40MHz  
-14dB MIN @ 60MHz  
-12dB MIN @ 80MHz  
-10dB MIN @ 100MHz
- Cross talk:  
-40dB TYP @ 1-100MHz
- Hipot test: 1500Vrms
- Operating temperature range: 0 TO 70°C.



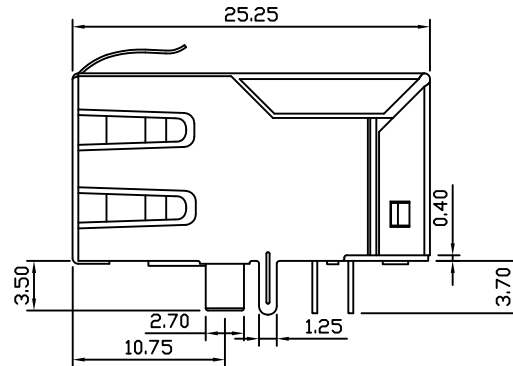
|        |               |            |   |  |
|--------|---------------|------------|---|--|
| X:X    | $\pm 0.30$    | APPD:      | LINK-PP INT'L TECHNOLOGY CO., LIMITED                       |  |
| X:XX   | $\pm 0.25$    | CHKD:      | TITLE: RJ45 Connector with 1000 Base-T Integrated Magnetics |  |
| X:XXX  | $\pm 0.05$    | DR: TOM    | PART NO.: LPJG17324CNL                                      |  |
| ANGLES | $\pm 1^\circ$ | UNIT: mm   | DWG NO.: LP12010602   |  |
|        | SCALE: 2/1    | SHEET: 1/2 | REV: A  |  |

# Mechanical:

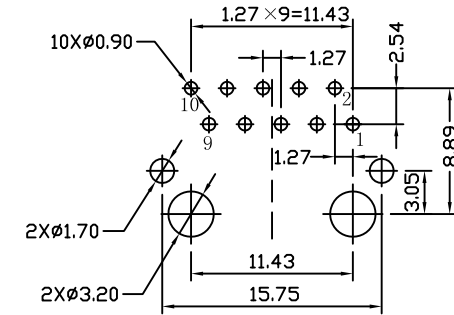
| REV. | ECN NO. | DESCRIPTION | DATE       | APPD |
|------|---------|-------------|------------|------|
| A    | REL     |             | 2012/01/06 |      |



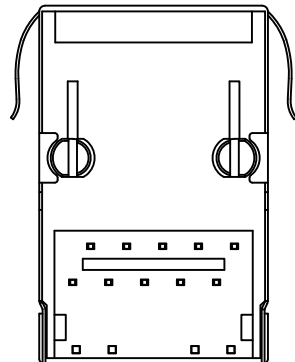
Front Side View



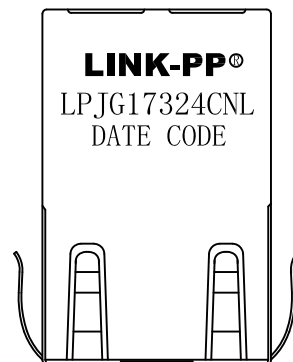
Left Side View



Suggested PCB Layout (Top View)



Bottom Side View



Top Side View

## NOTES:

1. Designed to support application, such as SOHO (ADSL modems), LAN-on-Motherboard (LOM), hub and Switches.
2. Meets IEEE 802.3 specification
3. Connector Materials:  
 Housing: Thermoplastic PBT+30%G.F UL94V-0  
 Contact: Phosphor Bronze C5210R-EH Thickness=0.35mm  
 Pins: Brass C2680R-H Thickness=0.35mm  
 Shield: SUS 201-1/2H Thickness=0.2mm  
 Contact plating: Gold 6 micro-inches min. In contact area.
4. Wave solder tip temperature: 265°C Max, 5 Sec Max.

|        |            |            |   |  |
|--------|------------|------------|---|--|
| X:X    | ±0.30      | APPD:      | LINK-PP INT'L TECHNOLOGY CO., LIMITED                       |  |
| X:XX   | ±0.25      | CHKD:      | TITLE: RJ45 Connector with 1000 Base-T Integrated Magnetics |  |
| X:XXX  | ±0.05      | DR: TOM    | PART NO.: LPJG17324CNL                                      |  |
| ANGLES | ±1°        | UNIT: mm   | DWG NO.: LP12010602   |  |
|        | SCALE: 2/1 | SHEET: 2/2 | REV: A  |  |