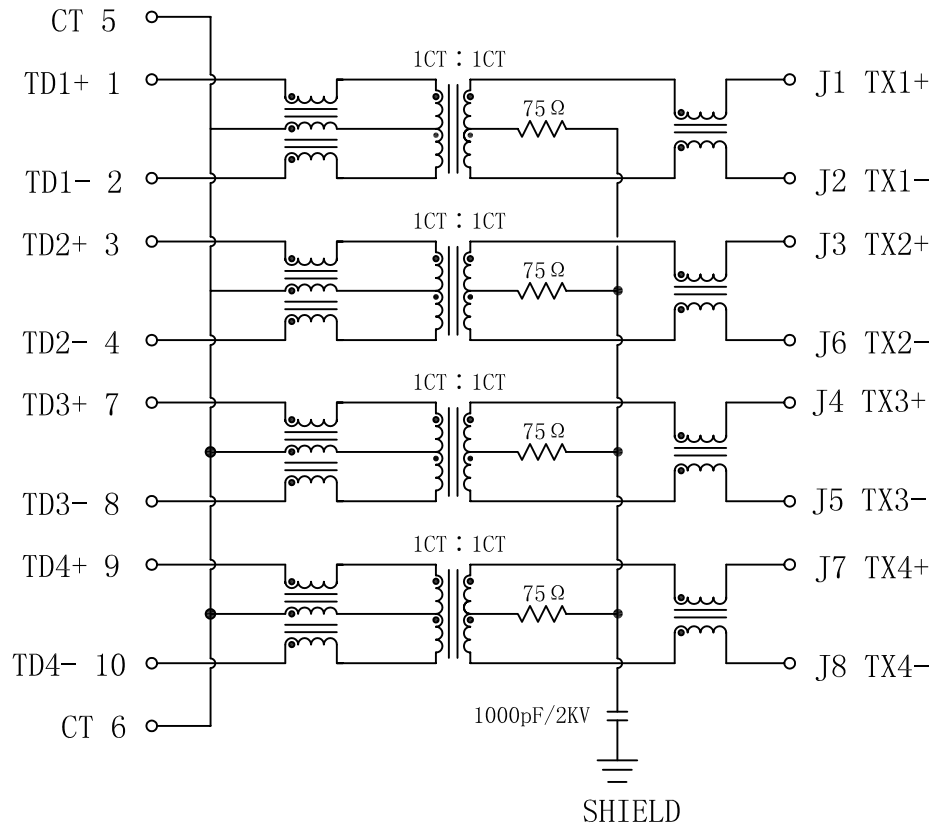


Schematic:

REV.	ECN NO.	DESCRIPTION	DATE	APPD
A	REL		2010/11/11	

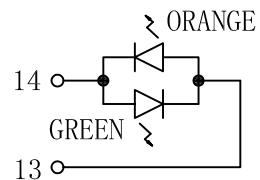
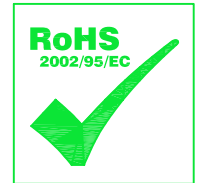
PCB CONNECTOR



RJ45 CONNECTOR

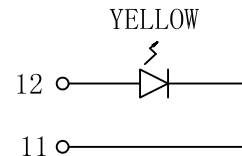
Electrical Specifications @25°C

- Turns Ratio ($\pm 3\%$) :
1CT:1CT
- Return Loss:
1-30MHz: -16dB Min
40MHz: -13.5dB Min
60-100MHz: -10dB Min
- Crosstalk:
1-100MHz: -30dB Min
- Insertion Loss:
1-100MHz: -1.2dB Max
- Common Mode Rejection:
1-100MHz: -30dB Min
- Inductance:
350uH MIN @100KHz, 0.1V, 8mA DC Bias
- Hi-Pot : 1500VAC/0.5mA
- Operating Temperature: 0°C ~ 70°C.



LEFT LED

LED POLARITY		COLOR
PIN 14	PIN 13	
+	-	GREEN
-	+	ORANGE



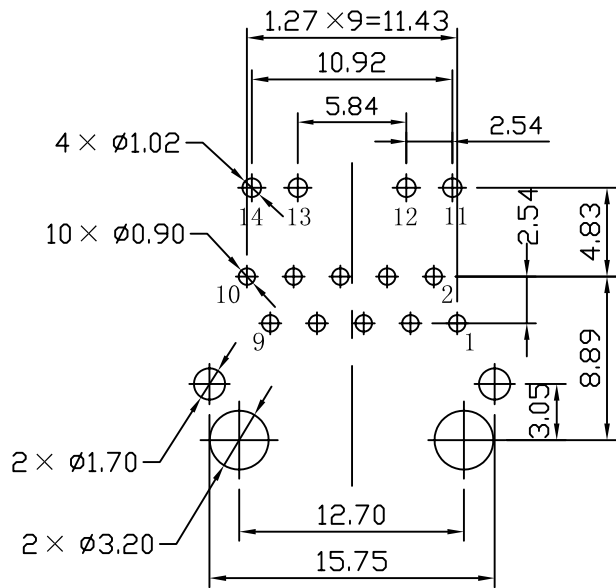
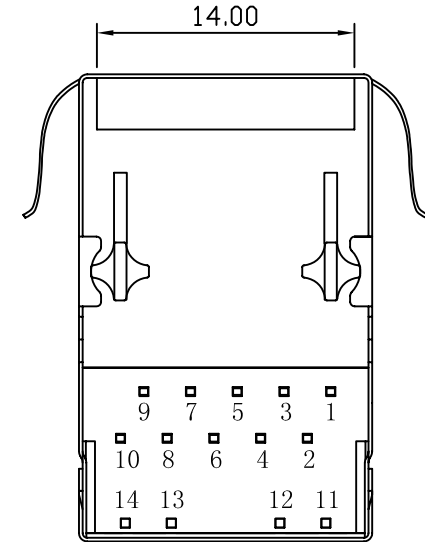
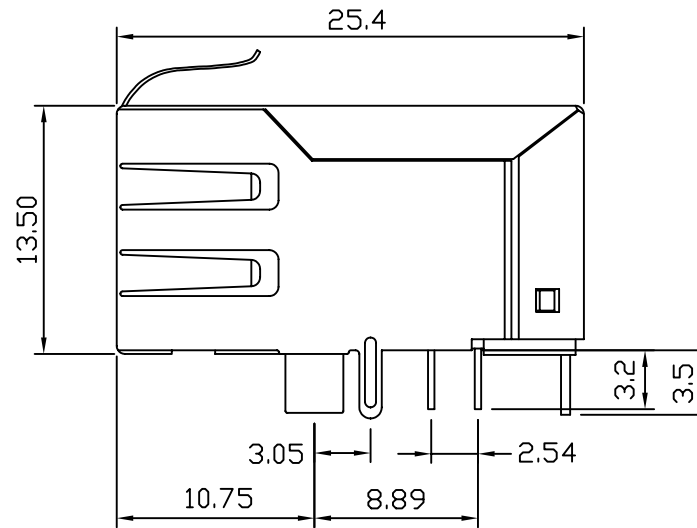
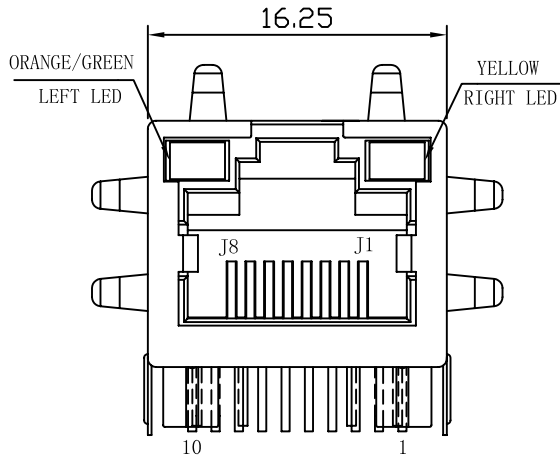
RIGHT LED

LED POLARITY		COLOR
PIN 12	PIN 11	
+	-	YELLOW

X:X	± 0.25	APPD:	LINK-PP INT'L TECHNOLOGY CO., LIMITED	
X:XX	± 0.20	CHKD:	TITLE: RJ45 Connector with 1000 Base-T Integrated Magnetics	
X:XXX	± 0.05	DR: TOM	PART NO. : LPJG17321-1AONL	
ANGLES	$\pm 1^\circ$	UNIT: mm		
	SCALE: 2/1	SHEET: 1/2	REV: A	DWG NO. : LP10111126

Mechanical:

REV.	ECN NO.	DESCRIPTION	DATE	APPD
A	REL		2010/11/11	



SUGGESTED PCB LAYOUT(TOP VIEW)



NOTES:

1. Designed to support application, such as SOHO (ADSL modems), LAN-on-Motherboard (LOM), hub and Switches.
2. Meets IEEE 802.3 specification
3. Connector Materials:
 Housing: Thermoplastic UL94V-0
 Contact/Shield: Copper alloy
 Shield plating: Nickel
 RJ-45 Contact plating: Gold 6 micro-inches min.
 In contact area
 USB Contact plating: Gold 6 micro-inches min.
4. Wave solder tip temperature: 265°C MAX
 Wave solder tip temperature time: 5 Sec MAX.

X:X ±0.25	APPD:	LINK-PP INT'L TECHNOLOGY CO., LIMITED
X:XX ±0.20	CHKD:	
X:XXX ±0.05	DR: TOM	TITLE: RJ45 Connector with 1000 Base-T Integrated Magnetics
ANGLES ±1°	UNIT: mm	PART NO.: LPJG17321-1AONL
	SCALE: 2/1	SHEET: 2/2
	REV: A	DWG NO.: LP10111126