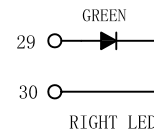
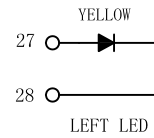
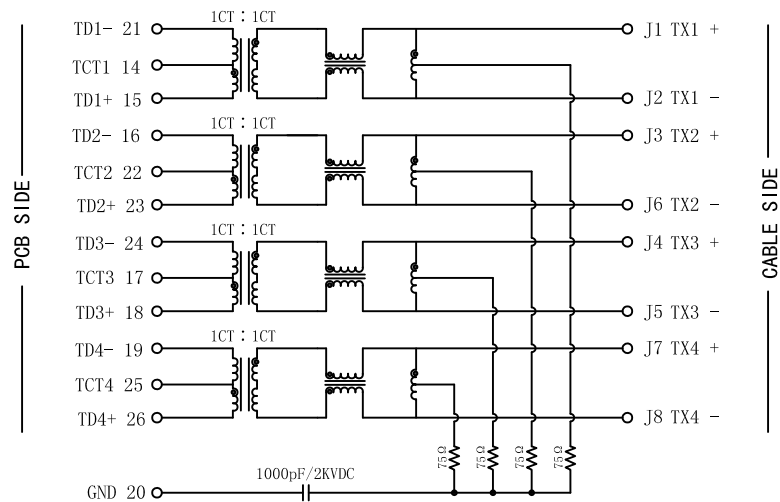


# Schematic:

REV.	ECN NO.	DESCRIPTION	DATE	APPD
A	REL		2012/02/18	

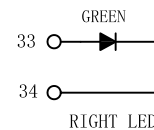
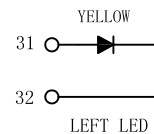
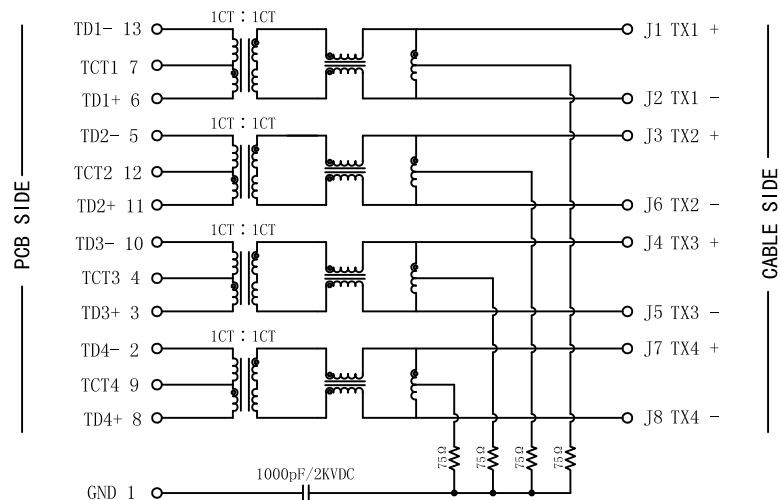
## SCHEMATIC FOR LOWER PORT:



- Electrical Specifications @25°C
- OCL(@100KHz, 100mV, 8mA DC Bias):  
350uH Min
  - Turns Ratio: 1CT : 1CT ±2%
  - Insertion Loss:  
0.1~100MHz:-1.1dB Max
  - Return Loss(dB Min):  
1~30MHz:-18  
30~60MHz:-16  
60~80MHz:-14  
80~100MHz:-12
  - Crosstalk(dB Typ):  
1~60MHz:-35  
60~100MHz:-25
  - Common To Common Mode Rejection:  
0.1~100MHz:-25dB Typ
  - Hipot: 1500Vrms
  - Operating Temperature: 0°C~70°C.



## SCHEMATIC FOR UPPER PORT:

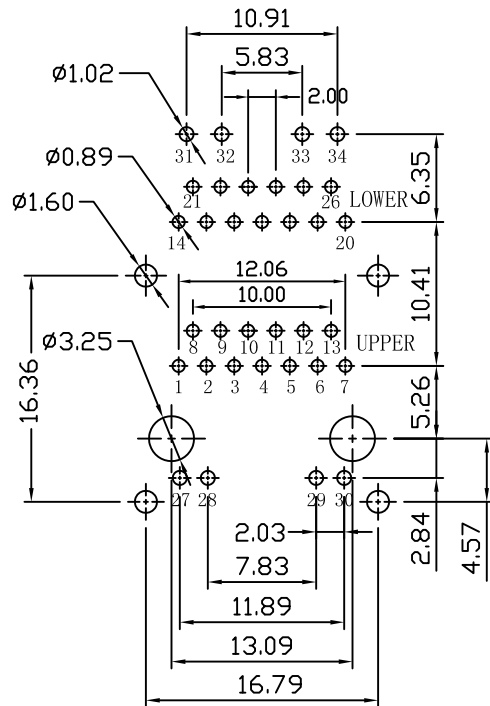
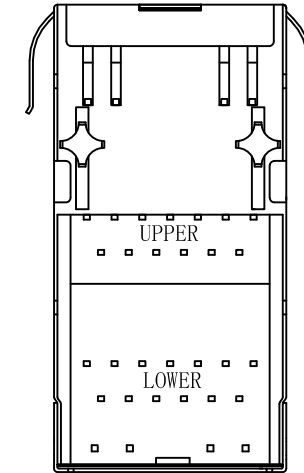
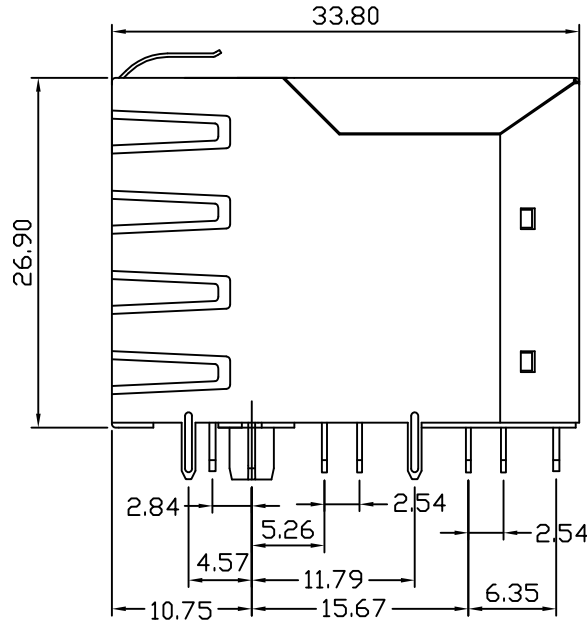
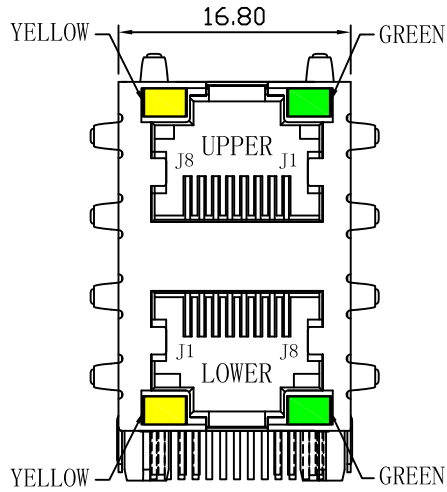


Emitting Color	λ p(nm)	VF@IF=20mA	IR @VR=5V
Green	565	1.8-2.6V	10 μ A max
Yellow	585	1.8-2.6V	10 μ A max

X:X ±0.30	APPD:	LINK-PP INT'L TECHNOLOGY CO., LIMITED		
X:XX ±0.25	CHKD:	TITLE: RJ45 Connector With 1000 Base-T Integrated Magnetics		
X:XXX ±0.05	DR: TOM	PART NO.: LPJG17102ADNL		
ANGLES ±1°	UNIT: mm			
	SCALE: 2/1	SHEET: 1/2	REV: A	DWG NO.: LP12021830

# Mechanical:

REV.	ECN NO.	DESCRIPTION	DATE	APPD
A	REL		2012/02/18	



PIN-OUT INFORMATION  
(COMPONENT SIDE VIEW)

## NOTES:

1. Designed to support application, such as SOHO (ADSL modems), LAN-on-Motherboard (LOM), hub and Switches.
2. Meets IEEE 802.3 specification
3. Connector Materials:  
Housing: Thermoplastic UL94V-0  
Contact/Shield: Copper alloy  
Shield plating: Nickel  
Contact plating: Gold 6 micro-inches min. In contact area.
4. Wave solder tip temperature: 265°C Max, 5 Sec Max.



X:X	±0.30	APPD:	LINK-PP INT'L TECHNOLOGY CO., LIMITED	
X:XX	±0.25	CHKD:	TITLE: RJ45 Connector With 1000 Base-T Integrated Magnetics	
X:XXX	±0.05	DR: TOM		
ANGLES	±1°	UNIT: mm	PART NO.: LPJG17102ADNL	
	SCALE: 2/1	SHEET: 2/2	REV: A	DWG NO.: LP12021830