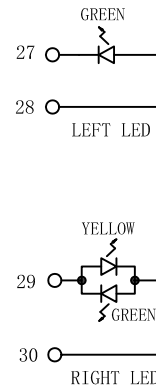
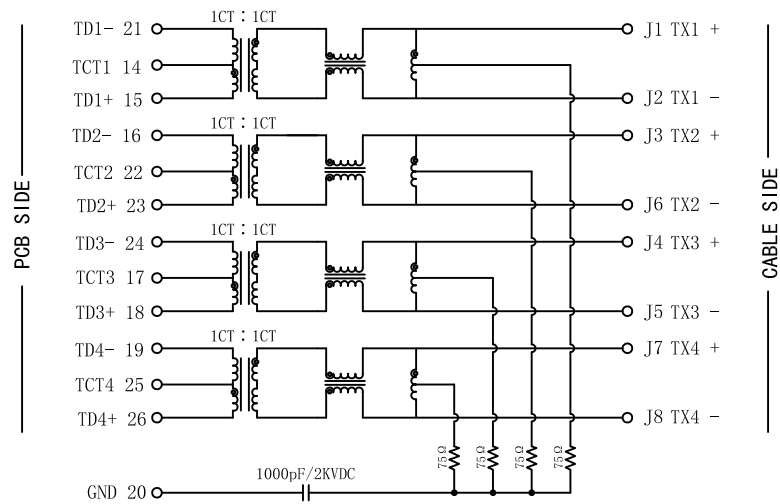


# Schematic:

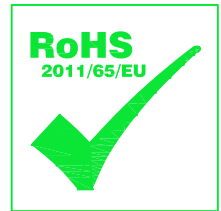
REV.	ECN NO.	DESCRIPTION	DATE	APPD
A	REL		2012/02/18	

## SCHEMATIC FOR LOWER PORT:

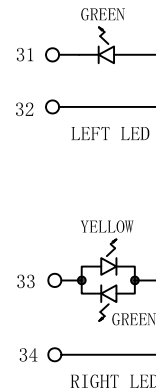
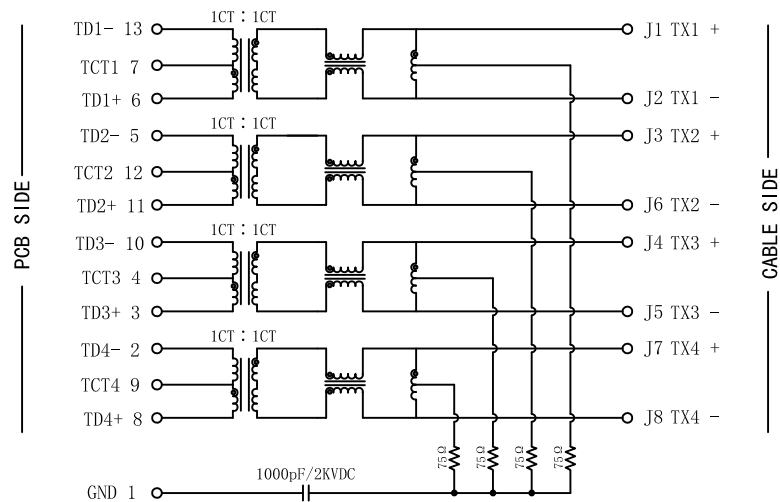


## Electrical Specifications @25°C

1. OCL (@100KHz, 100mV, 8mA DC Bias):  
350uH min
2. Turns Ratio: 1CT : 1CT  $\pm 2\%$
3. Insertion Loss:  
0.1~100MHz: -1.1dB Max
4. Return Loss (dB Min):  
1~30MHz: -18  
30~60MHz: -16  
60~80MHz: -14  
80~100MHz: -12
5. Crosstalk (dB Typ):  
1~60MHz: -35  
60~100MHz: -25
6. Common To Common Mode Rejection:  
0.1~100MHz: -25dB Typ
7. Hipot: 1500Vrms
8. Operating Temperature: -40°C ~ +85°C.



## SCHEMATIC FOR UPPER PORT:

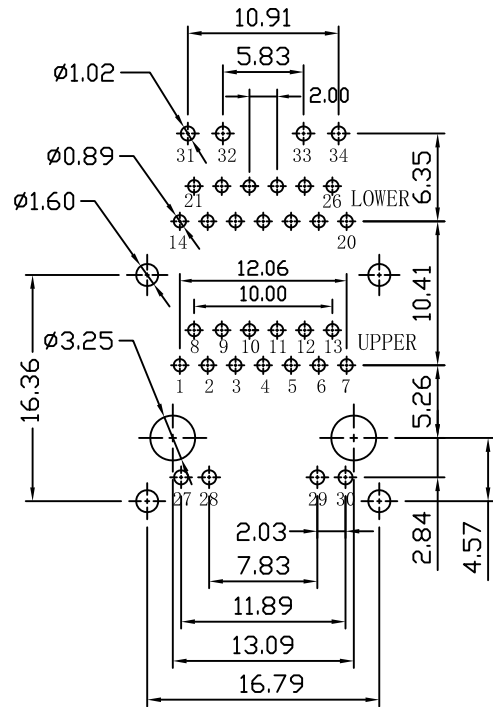
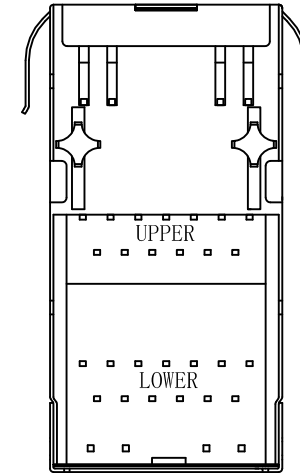
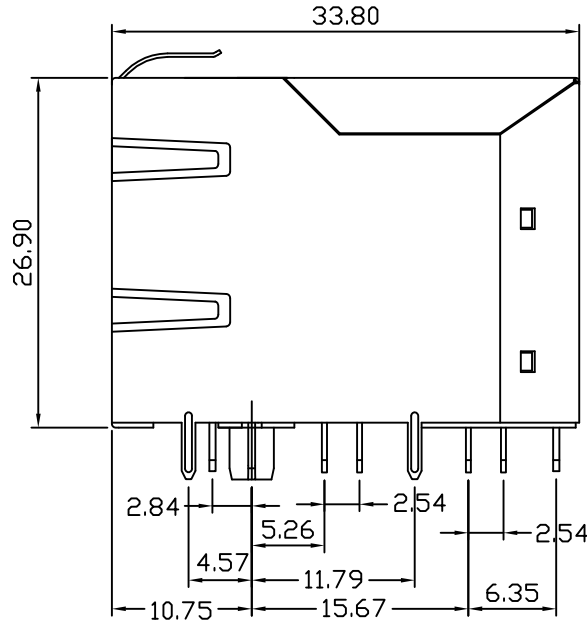
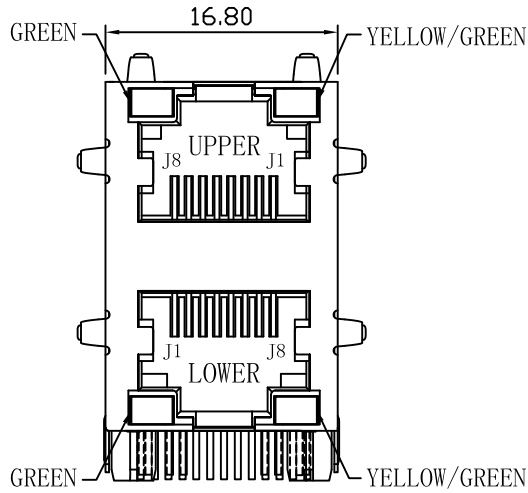


Emitting Color	$\lambda$ p(nm)	VF@IF=20mA	IR @VR=5V
GREEN	565	1.8~2.6V	10 $\mu$ A max
YELLOW	585	1.8~2.6V	10 $\mu$ A max

X:X $\pm 0.30$	APPD:	LINK-PP INT'L TECHNOLOGY CO., LIMITED		
X:XX $\pm 0.25$	CHKD:			
X:XXX $\pm 0.05$	DR: TOM			
ANGLES $\pm 1^\circ$	UNIT: mm	TITLE: RJ45 Connector With 1000 Base-T Integrated Magnetics		
		PART NO.: LPJG17102A96NL		
	SCALE: 2/1	SHEET: 1/2	REV: A	DWG NO.: LP12021801

# Mechanical:

REV.	ECN NO.	DESCRIPTION	DATE	APPD
A	REL		2012/02/18	



PIN-OUT INFORMATION  
(COMPONENT SIDE VIEW)



### NOTES:

1. Designed to support application, such as SOHO (ADSL modems), LAN-on-Motherboard (LOM), hub and Switches.
2. Meets IEEE 802.3 specification
3. Connector Materials:  
Housing: Thermoplastic UL94V-0  
Contact/Shield: Copper alloy  
Shield plating: Nickel  
Contact plating: Gold 6 micro-inches min. In contact area.
4. Wave solder tip temperature: 265°C Max, 5 Sec.
5. UL Certification: File Number E484635.

X:X ±0.30	APPD:	LINK-PP INT'L TECHNOLOGY CO., LIMITED
X:XX ±0.25	CHKD:	
X:XXX ±0.05	DR: TOM	TITLE: RJ45 Connector With 1000 Base-T Integrated Magnetics
ANGLES ±1°	UNIT: mm	PART NO.: LPJG17102A96NL
	SCALE: 2/1	SHEET: 2/2
	REV: A	DWG NO.: LP12021801