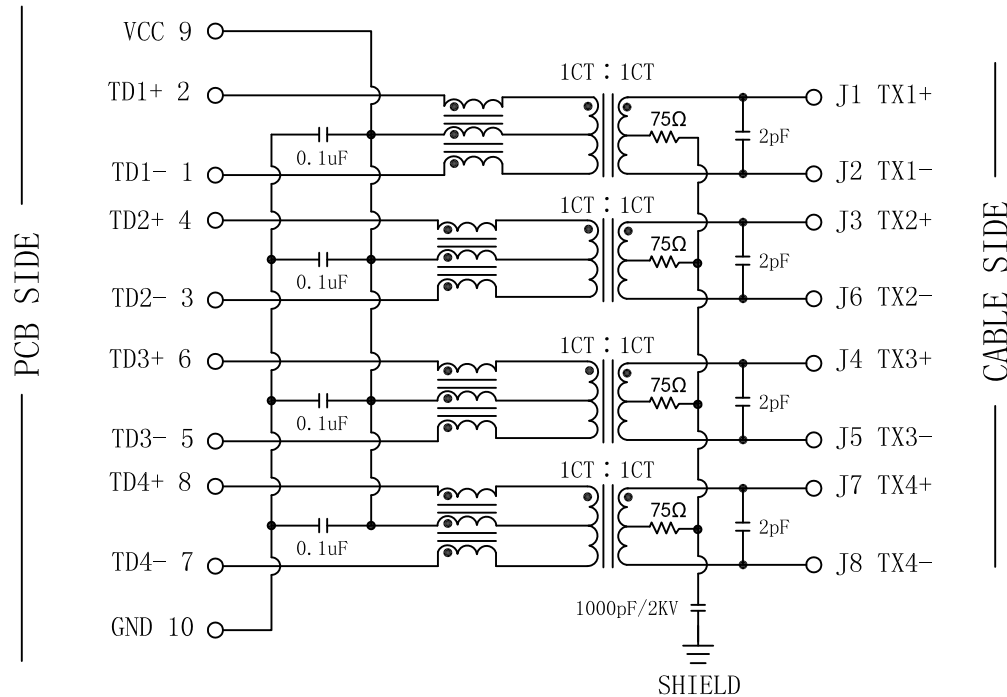


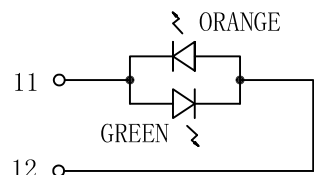
Schematic:

REV.	ECN NO.	DESCRIPTION	DATE	APPD
A	REL		2013/05/14	



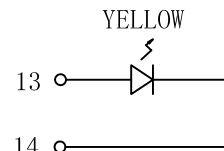
Electrical Specifications @25°C

- OCL (@100KHz, 100mVrms, 8mA DC Bias):
350uH min
- Turns Ratio: 1CT : 1CT ±2%
- Insertion Loss:
0.1~1MHz: -1.1dB Max
1~65MHz: -0.5dB Max
65~100MHz: -0.8dB Max
100~125MHz: -1.2dB Max
- Return Loss (dB Min):
0.5~40MHz: -18
40~100MHz: -12+20Log(f/80MHz)
- Crosstalk:
0.1~100MHz: -30dB Min
- CM TO CM REJ:
0.1~100MHz: -30dB Min
- CM TO DM REJ:
0.1~100MHz: -35dB Min
- Hi-Pot: 1500Vrms @60Hz
- Operating Temperature: -40°C ~ +85°C.



LEFT LED

LED POLARITY		COLOR
PIN 11	PIN 12	
+	-	GREEN
-	+	ORANGE



RIGHT LED

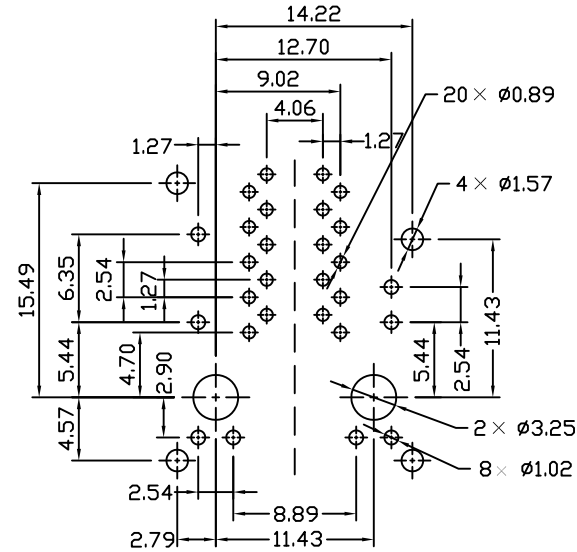
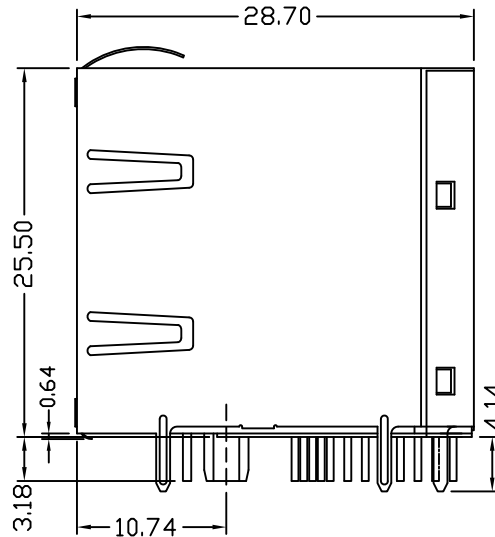
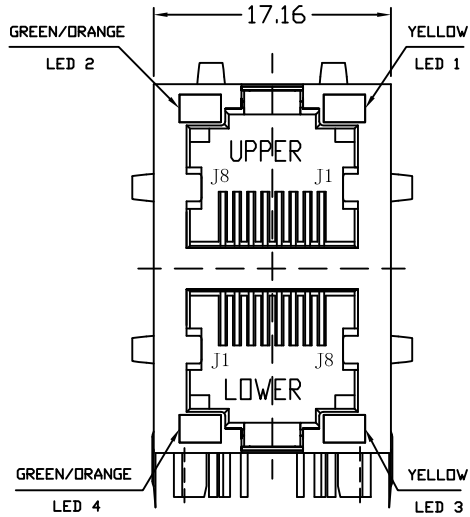
LED POLARITY		COLOR
PIN 13	PIN 14	
+	-	YELLOW

Emitting Color	λ_p (nm)	VF@IF=20mA	IR @VR=5V
ORANGE/GREEN	610/565	1.8~2.6V	10 μ A max
YELLOW	585	1.8~2.6V	10 μ A max

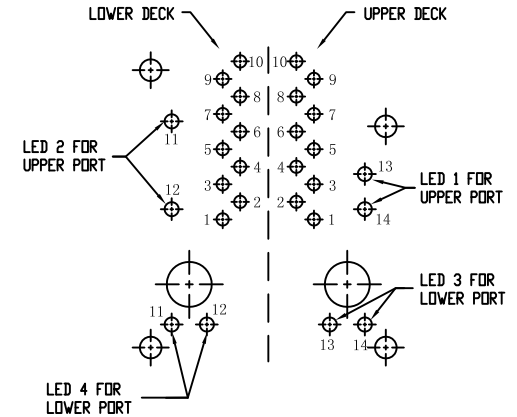
X:X	±0.30	APPD:	LINK-PP INT'L TECHNOLOGY CO., LIMITED	
X:XX	±0.20	CHKD:	TITLE: RJ45 Connector With 1000 Base-T Integrated Magnetics	
X:XXX	±0.05	DR: TOM	PART NO.: LPJG17039A61NL	
ANGLES	±1°	UNIT: mm	DWG NO.: LP13051408	
		SCALE: 2/1	SHEET: 1/2	REV: A

Mechanical:

REV.	ECN NO.	DESCRIPTION	DATE	APPD
A	REL		2013/05/14	



SUGGESTED PCB LAYOUT(TOP VIEW)



NOTES:

1. Designed to support application, such as SOHO (ADSL modems), LAN-on-Motherboard (LOM), hub and Switches.
2. Meets IEEE 802.3 specification
3. Connector Materials:
Housing: Thermoplastic UL94V-0
Contact/Shield: Copper alloy
Shield plating: Nickel
Contact plating: Gold 6 micro-inches min. In contact area.
4. Wave solder tip temperature: 265°C Max, 5 Sec Max.



X:X	±0.30	APPD:	LINK-PP INT'L TECHNOLOGY CO., LIMITED	
X:XX	±0.20	CHKD:	TITLE: RJ45 Connector With 1000 Base-T Integrated Magnetics	
X:XXX	±0.05	DR: TOM	PART NO.: LPJG17039A61NL	
ANGLES	±1°	UNIT: mm	DWG NO.: LP13051408	
	SCALE: 2/1	SHEET: 2/2	REV: A	