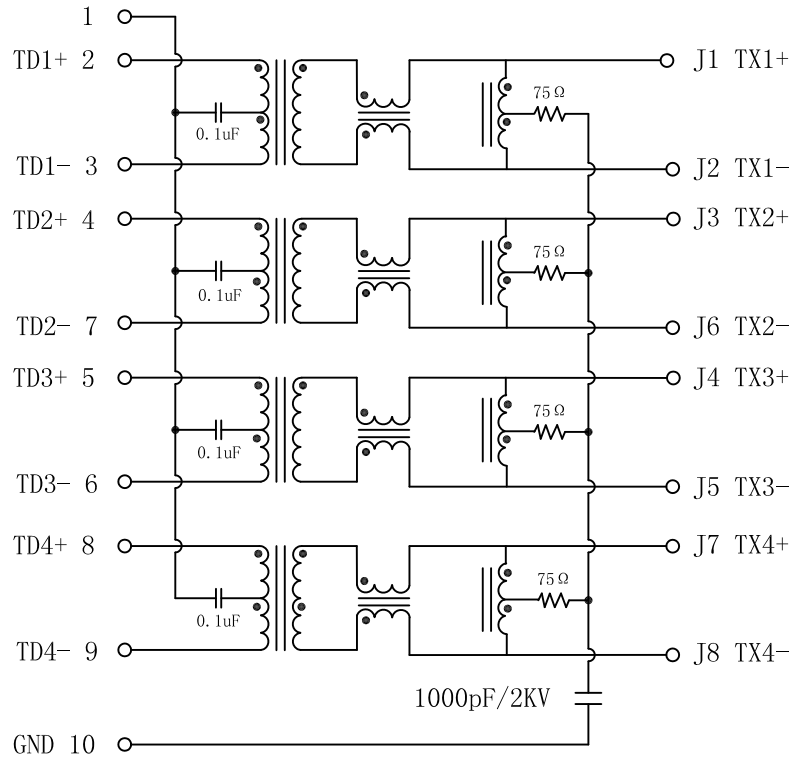


Schematic:

REV.	ECN NO.	DESCRIPTION	DATE	APPD
A	REL		2016-03-17	

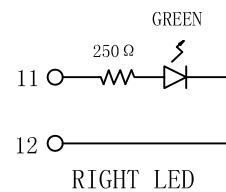
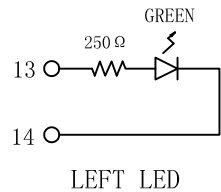
PCB CONNECTIONS



RJ45 CONNECTOR

Electrical Specifications @25°C

- Turns Ratio ($\pm 3\%$) :
Pri:Sec = 1CT:1
- OCL: 350uH Min
@100KHz/0.1V With 8mA DC Bias
- Insertion Loss:
0.1~100MHz:-1.0dB MAX
100~125MHz:-1.2dB MAX
- Return Loss (dB MIN) :
0.5~40MHz:-18
40~100MHz:-12-20Log(f/80)
- Crosstalk (dB MIN) :
0.1~100MHz:-33-20Log(f/50)
- CMRR:
0.1~100MHz:-32dB MIN
- Hipot: 1500Vrms
- Operating Temperature: 0°C~70°C.

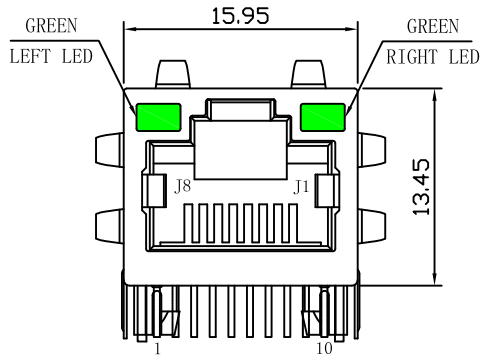


Emitting Color	λ_p (nm)	VF@IF=20mA	IR @VR=5V
GREEN	565	1.8~2.6V	10 μ A max

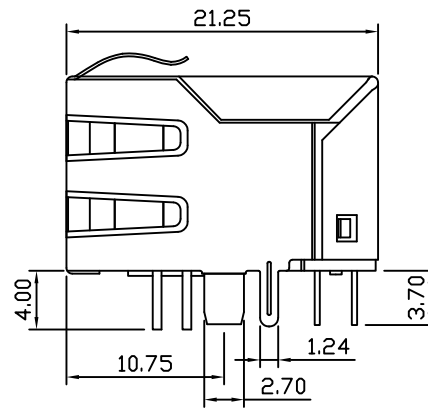
X:X	± 0.30	APPD:	LINK-PP INT'L TECHNOLOGY CO., LIMITED	
X:XX	± 0.25	CHKD:	TITLE: RJ45 Connector with 10/100/1000 Base-T Integrated Magnetics	
X:XXX	± 0.05	DR: TOM		
ANGLES	$\pm 1^\circ$	UNIT: mm	PART NO.: LPJG16599AZNL	
	SCALE: 2/1	SHEET: 1/2	REV: A	DWG NO.: LP16031701

Mechanical:

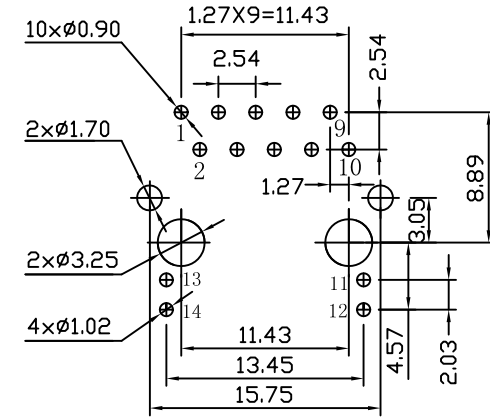
REV.	ECN NO.	DESCRIPTION	DATE	APPD
A	REL		2016-03-17	



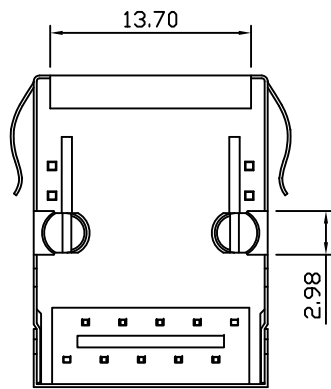
Front Side View



Left Side View



Suggested PCB Layout (Top View)



Bottom Side View



Top Side View

NOTES:

1. Designed to support application, such as SOHO (ADSL modems), LAN-on-Motherboard (LOM), hub and Switches.
2. Meets IEEE 802.3 specification
3. Connector Materials:
 Housing: Thermoplastic PBT+30%G. F UL94V-0
 Contact: Phosphor Bronze C5210R-EH Thickness=0.35mm
 Pins: Brass C2680R-H Thickness=0.35mm
 Shield: SUS 201-1/2H Thickness=0.2mm
 Contact plating: Gold 6 micro-inches min. In contact area.
4. Wave solder tip temperature: 265°C Max, 5 Sec.
5. UL Certification: File Number E484635.

X:X ±0.30	APPD:	LINK-PP INT'L TECHNOLOGY CO., LIMITED
X:XX ±0.25	CHKD:	
X:XXX ±0.05	DR: TOM	TITLE: RJ45 Connector with 10/100/1000 Base-T Integrated Magnetics
ANGLES ±1°	UNIT: mm	PART NO.: LPJG16599AZNL
	SCALE: 2/1	SHEET: 2/2
	REV: A	DWG NO.: LP16031701