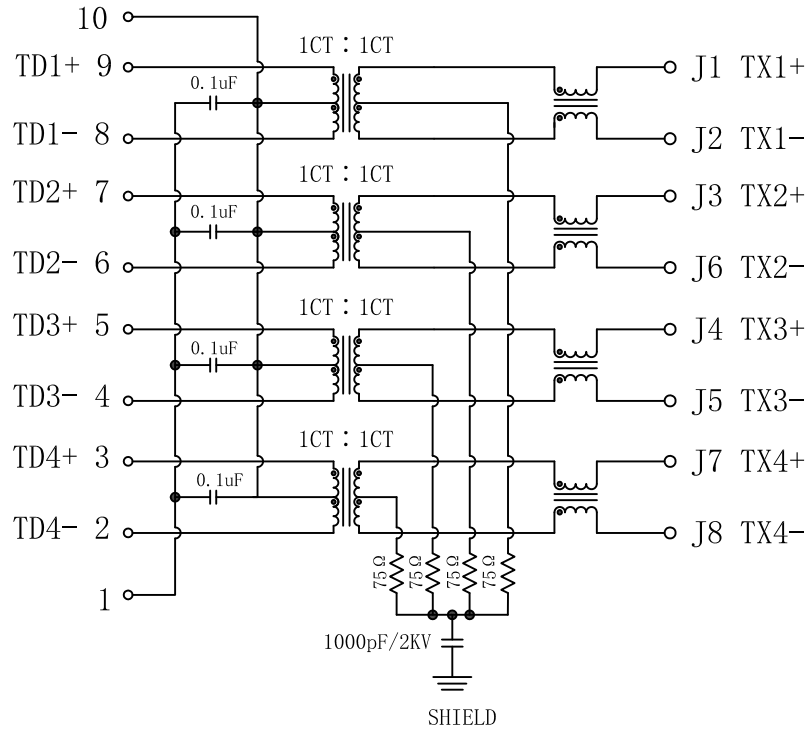


# Schematic:

REV.	ECN NO.	DESCRIPTION	DATE	APPD
A	REL		2016-04-07	

PCB CONNECTIONS



RJ45 CONNECTOR

## ELECTRICAL SPECIFICATIONS @25°C

- Turn Ratio ( $\pm 3\%$ ):  
Pri:Sec = 1CT:1CT
- Inductance OCL: 350uH MIN  
@100KHz 0.1V 8mA DC Bias
- DCR: 1.2  $\Omega$  MAX
- Insertion Loss:  
-1.0dB MAX @1-100MHz  
-1.2dB MAX @100-125MHz
- Return Loss:  
-16dB MIN @1-40MHz  
-12dB MIN @40-60MHz  
-10dB MIN @60-80MHz  
-8dB MIN @80-100MHz
- Cross talk:  
-30dB MIN @1-100MHz
- Common to Common Mode Attenuation:  
-30dB MIN @1-100MHz
- Hipot Test: 1500Vrms
- Operating Temperature Range: -40°C TO +85°C

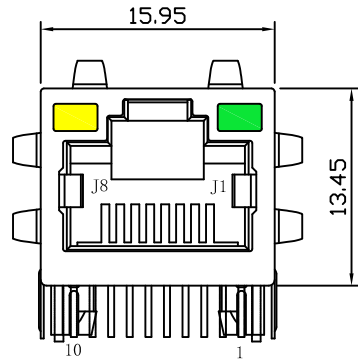


Emitting Color	$\lambda$ p(nm)	VF@IF=20mA	IR @VR=5V
Green	565	1.8~2.6V	10 $\mu$ A max
Yellow	585	1.8~2.6V	10 $\mu$ A max

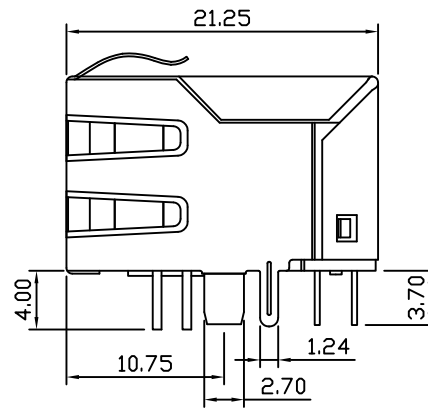
X:X	$\pm 0.25$	APPD:	LINK-PP INT'L TECHNOLOGY CO., LIMITED	
X:XX	$\pm 0.20$	CHKD:	TITLE: RJ45 Connector with 1000 Base-T Integrated Magnetics	
X:XXX	$\pm 0.05$	DR: TOM	PART NO.: LPJG16470ADNL	
ANGLES	$\pm 1^\circ$	UNIT: mm	DWG NO.: LP16040701	
		SCALE: 2/1	SHEET: 1/2	REV: A

# Mechanical:

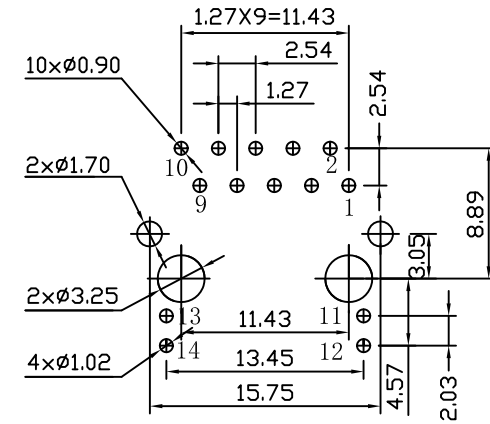
REV.	ECN NO.	DESCRIPTION	DATE	APPD
A	REL		2016-04-07	



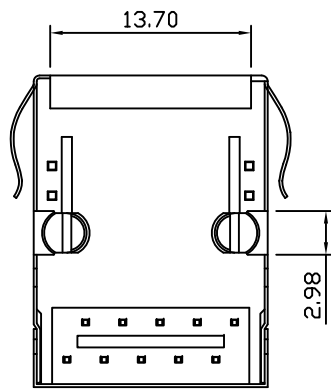
Front Side View



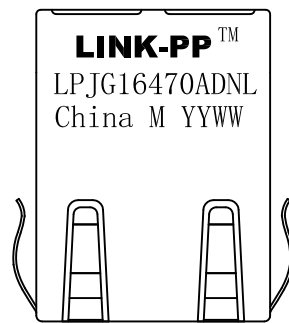
Left Side View



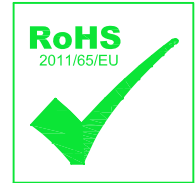
Suggested PCB Layout (Top View)



Bottom Side View



Top Side View



## NOTES:

1. Meets IEEE 802.3 specification
2. Connector Materials:

Housing Material: Thermoplastic PBT+30%G.F UL94V-0

Contact Material: Phosphor Bronze C5210R-EH Thickness=0.35mm

Pins: Brass C2680R-H Thickness=0.35mm

Shield: SUS 201-1/2H Thickness=0.2mm

Contact plating: Gold 6 micro-inches min. In contact area.

3. Wave solder tip temperature: 265°C Max, 5 Sec Max

X:X	±0.25	APPD:	LINK-PP INT'L TECHNOLOGY CO., LIMITED	
X:XX	±0.20	CHKD:	TITLE: RJ45 Connector with 1000 Base-T Integrated Magnetics	
X:XXX	±0.05	DR: TOM	PART NO.: LPJG16470ADNL	
ANGLES	±1°	UNIT: mm	DWG NO.: LP16040701	
	SCALE: 2/1	SHEET: 2/2	REV: A	