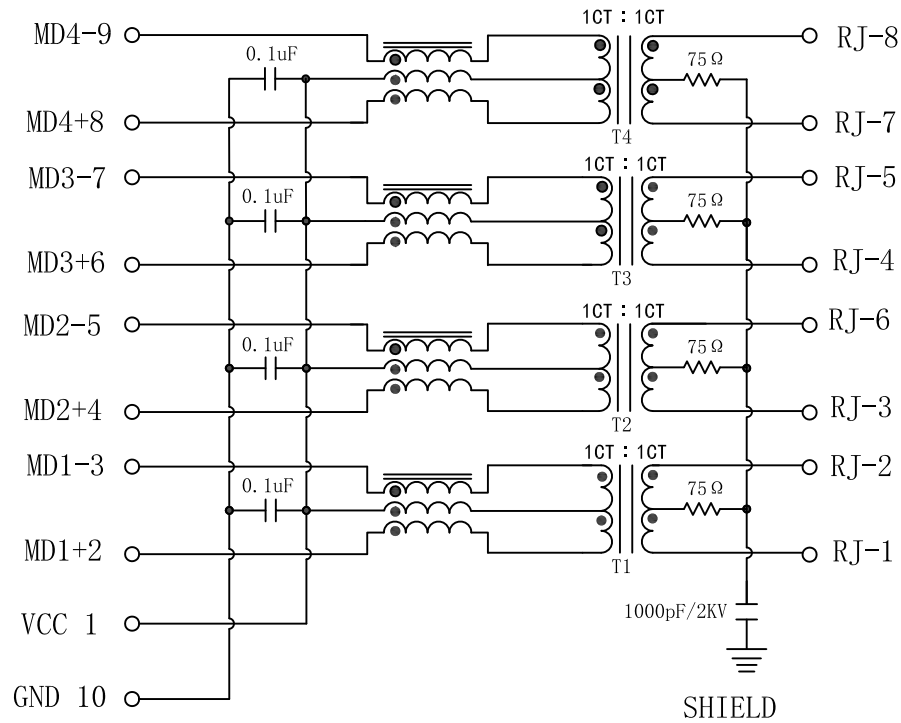


Schematic:

REV.	ECN NO.	DESCRIPTION	DATE	APPD
A	REL		2014/09/22	

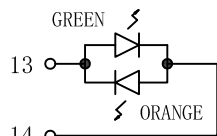
PC BOARD CONNECTIONS



RJ45 CONNECTOR

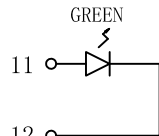
ELECTRICAL SPECIFICATIONS @25°C

- Turn Ratio($\pm 2\%$): 1CT : 1CT
- Inductance OCL: 350uH MIN @100KHz/0.1V, 8mA DC Bias
- Insertion Loss:
 - 1.0dB MAX @ 0.3-100MHz
 - 1.5dB MAX @100-125MHz
- Return Loss:
 - 15dB MIN @ 40MHz
 - 13.1dB MIN @ 50MHz
 - 12dB MIN @ 60-80MHz
 - 10dB MIN @ 100MHz
- Cross talk:
 - 45dB MIN @ 30MHz
 - 40dB MIN @ 60MHz
 - 35dB MIN @ 100MHz
- Common Mode Rejection:
 - 43dB MIN @ 30MHz
 - 37dB MIN @ 80MHz
 - 33dB MIN @ 100MHz
- CMRR: -30dB Min @1-100MHz
- Hipot Test: 1500Vrms MIN
- Operating Temperature: -40°C TO +85°C.



LEFT LED

LED POLARITY		COLOR
PIN 13	PIN 14	
+	-	GREEN
-	+	ORANGE



RIGHT LED

LED POLARITY		COLOR
PIN 11	PIN 12	
+	-	GREEN

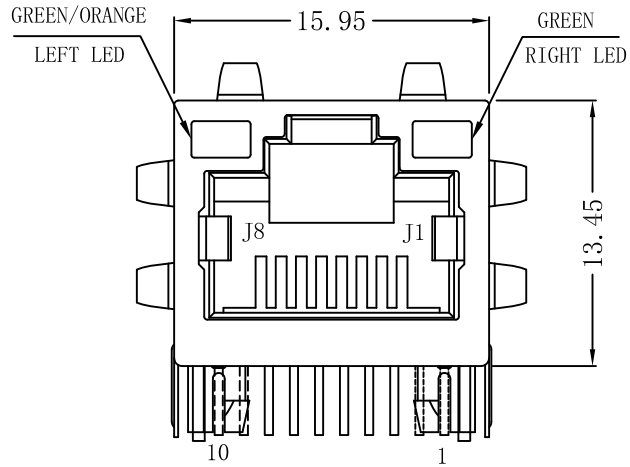


Emitting Color	λ p(nm)	VF@IF=20mA	IR @VR=5V
GREEN	565	1.8-2.6V	10 μ A max
YELLOW	585	1.8-2.6V	10 μ A max
ORANGE	610	1.8-2.6V	10 μ A max

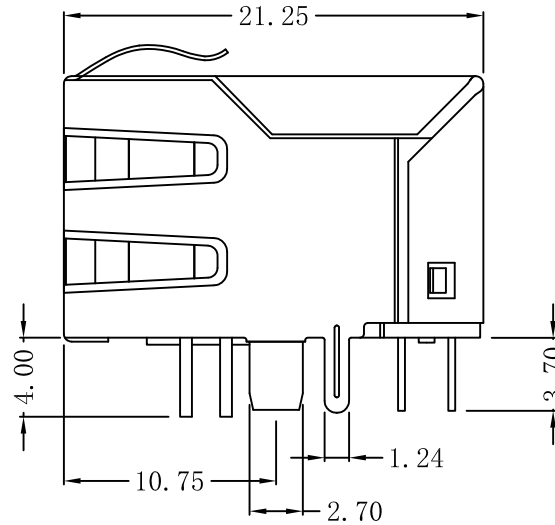
X:X	± 0.25	APPD:	LINK-PP INT'L TECHNOLOGY CO., LIMITED
X:XX	± 0.20	CHKD:	
X:XXX	± 0.05	DR: TOM	TITLE: Through Hole Tab-Up RJ45 Jack With 10/100/1000 Base-TX Magnetic
ANGLES	$\pm 1^\circ$	UNIT: mm	PART NO.: LPJG16452A24NL
	SCALE: 2/1	SHEET: 1/2	REV: A DWG NO.: LP14092202

Mechanical :

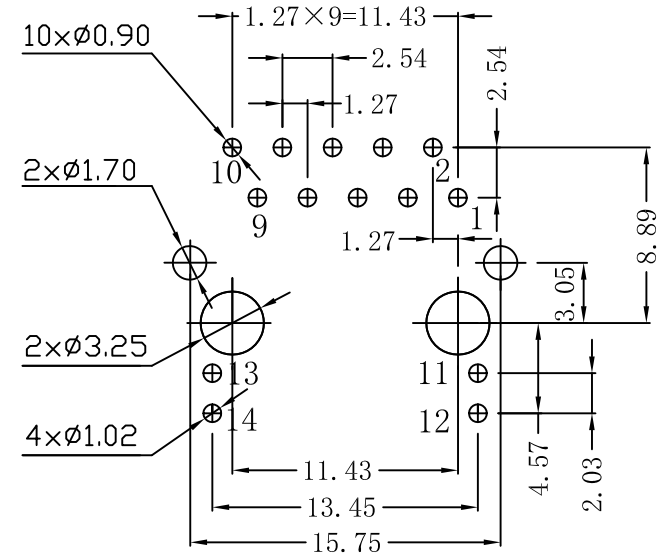
REV.	ECN NO.	DESCRIPTION	DATE	APPD
A	REL		2014/09/22	



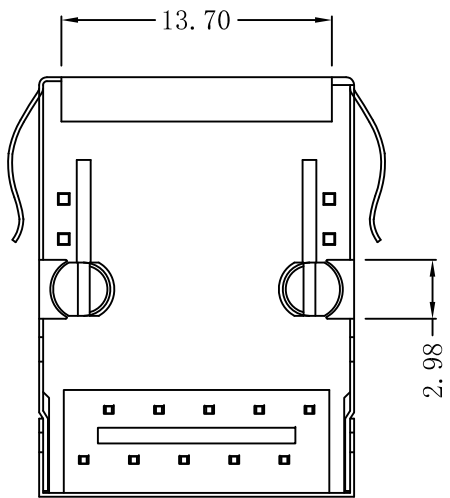
Front Side View



Left Side View



Suggested PCB Layout (Top View)



Bottom Side View



Top Side View

NOTES:

1. Designed to support application, such as SOHO (ADSL modems), LAN-on-Motherboard (LOM), hub and Switches.
2. Meets IEEE 802.3 specification
3. Connector Materials:
Housing Material: Thermoplastic PBT+30%G.F UL94V-0
Contact Material: Phosphor Bronze C5210R-EH Thickness=0.35mm
Pins: Brass C2680R-H Thickness=0.35mm
Shield: SUS 201-1/2H Thickness=0.2mm
Contact plating: Gold 6 micro-inches min. In contact area.
4. Wave solder tip temperature: 265°C Max, 5 Sec Max
5. Durrability: 750 cycles Min.
6. Mating/Unmating Force: 2.2kg.f Max
Retention Strength: 7.7kg.f Min between jack and plug.

X:X	±0.25	APPD:	LINK-PP INT'L TECHNOLOGY CO., LIMITED	
X:XX	±0.20	CHKD:	TITLE: Through Hole Tab-Up RJ45 Jack With 10/100/1000 Base-TX Magnetic	
X:XXX	±0.05	DR: TOM	PART NO.: LPJG16452A24NL	
ANGLES	±1°	UNIT: mm	DWG NO.: LP14092202	
		SCALE: 2/1	SHEET: 2/2	REV: A