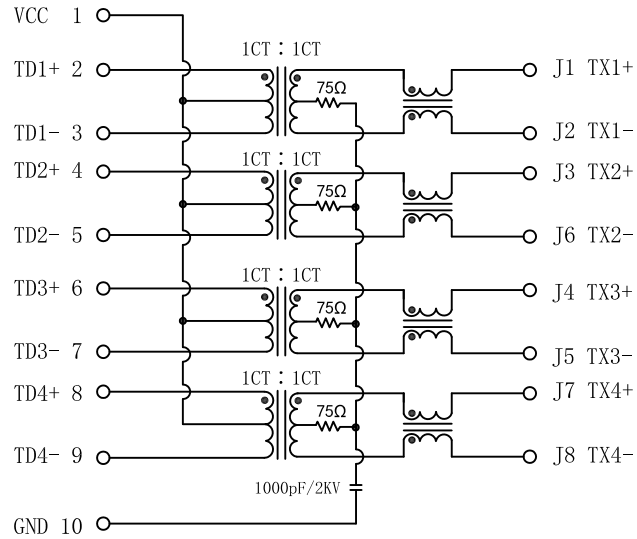


Schematic:

REV.	ECN NO.	DESCRIPTION	DATE	APPD
A	REL		2015-07-02	

PC BOARD CONNECTIONS



RJ45 CONNECTOR

ELECTRICAL SPECIFICATIONS @25°C

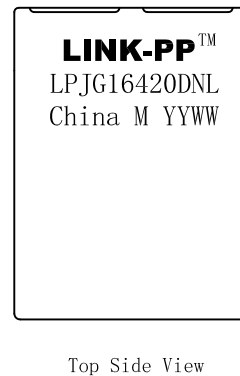
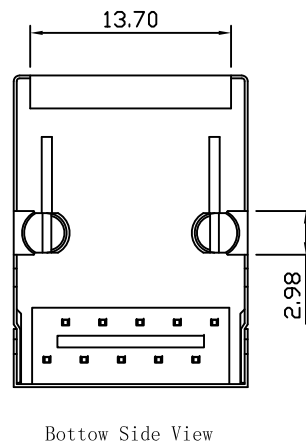
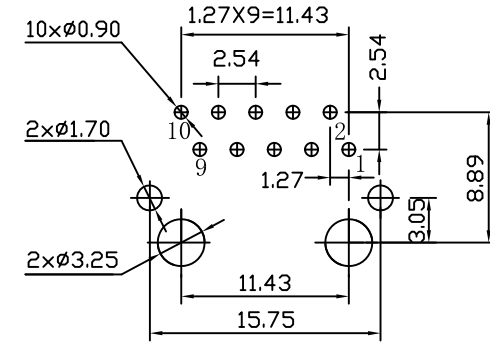
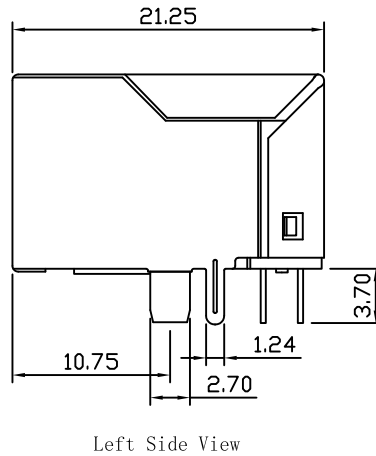
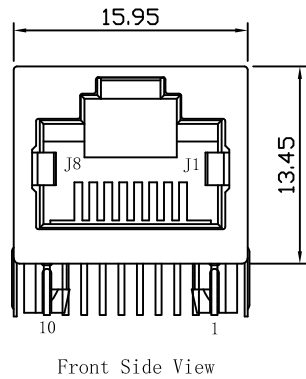
- Turn Ratio($\pm 2\%$):
Pri:Sec = 1CT:1CT
- Inductance OCL:
350uH Min @100KHz, 0.1V, 8mA DC Bias
- Insertion Loss:
-0.8dB Max @ 0.3-100MHz
-1.2dB Max @ 100-120MHz
- Return Loss:
-18dB Min @ 0.5-40MHz
-12-20Log(f/80MHz)dB Min @ 40-100MHz
- Cross talk:
-33-20Log(f/100MHz)dB MIN @ 0.1-100MHz
- Common To Differential Mode Rejection:
-35dB MIN @ 0.3-100MHz
- Common To Common Mode Rejection:
-30dB MIN @ 0.3-100MHz
- Hipot Test: 1500VAC FOR 60 SECONDS
- Operating Temperature : -40°C TO +85°C.



X:X	± 0.30	APPD:	LINK-PP INT'L TECHNOLOGY CO., LIMITED	
X:XX	± 0.25	CHKD:	TITLE: RJ45 Connector with 1000 Base-T Integrated Magnetics	
X:XXX	± 0.05	DR: TOM	PART NO. : LPJG16420DNL	
ANGLES	$\pm 1^\circ$	UNIT: mm	DWG NO. : LP15070243	
	SCALE: 2/1	SHEET: 1/2	REV: A	

Mechanical:

REV.	ECN NO.	DESCRIPTION	DATE	APPD
A	REL		2015-07-02	



NOTES:

1. Designed to support application, such as SOHO (ADSL modems), LAN-on-Motherboard (LOM), hub and Switches.
2. Meets IEEE 802.3 specification
3. Connector Materials:
 Housing: Thermoplastic PBT+30%G.F UL94V-0
 Contact: Phosphor Bronze C5210R-EH Thickness=0.35mm
 Pins: Brass C2680R-H Thickness=0.35mm
 Shield: SUS 201-1/2H Thickness=0.2mm
 Contact plating: Gold 6 micro-inches min. In contact area.
4. Wave solder tip temperature: 265°C Max, 5 Sec.
5. UL Certification: File Number E484635.

X:X ±0.30	APPD:	LINK-PP INT'L TECHNOLOGY CO., LIMITED
X:XX ±0.25	CHKD:	
X:XXX ±0.05	DR: TOM	TITLE: RJ45 Connector with 1000 Base-T Integrated Magnetics
ANGLES ±1°	UNIT: mm	PART NO.: LPJG16420DNL
	SCALE: 2/1	SHEET: 2/2
	REV: A	DWG NO.: LP15070243