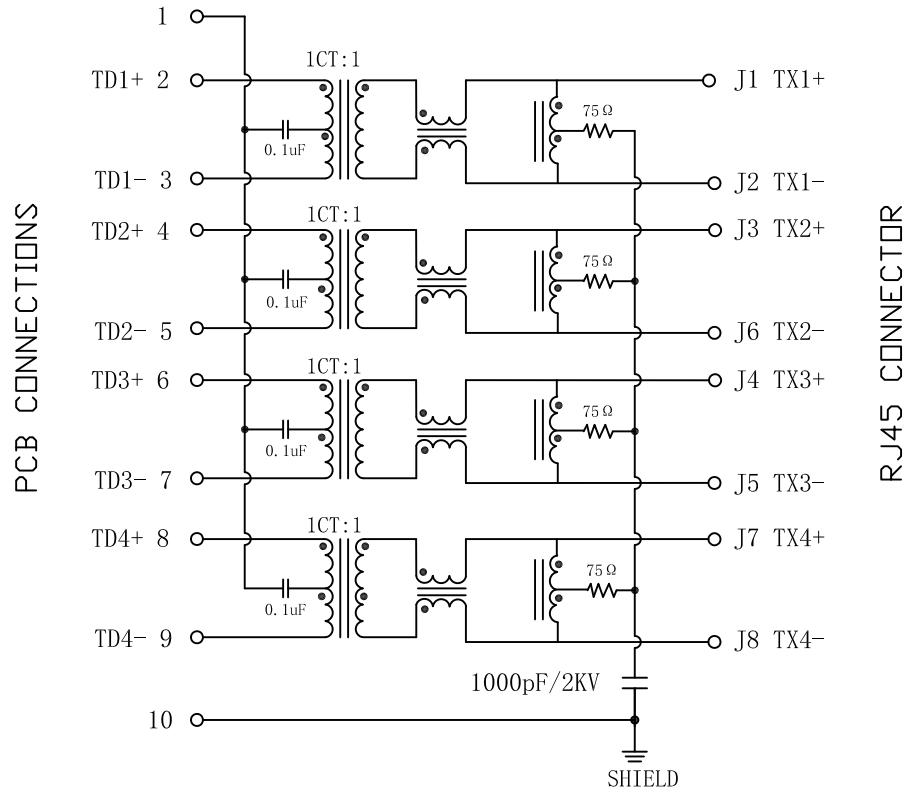


Schematic:

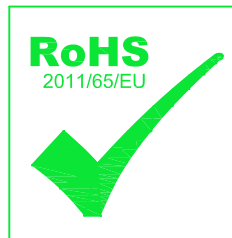
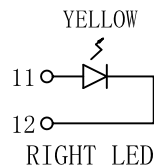
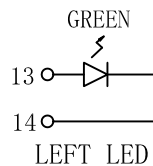
REV.	ECN NO.	DESCRIPTION	DATE	APPD
A	REL		2016-05-27	



ELECTRICAL SPECIFICATIONS @25°C

- Turn Ratio ($\pm 3\%$):
Pri : Sec = 1CT : 1
- Inductance OCL: 350uH MIN
@100KHz/0.1V, 8mA DC Bias
- Insertion Loss:
-1.2dB MAX @ 0.3-100MHz
- Return Loss (@Load 100Ω):
-16dB MIN @ 1-30MHz
-13.5dB MIN @ 40MHz
-11.5dB MIN @ 50MHz
-10dB MIN @ 60-100MHz
- Cross talk:
-40dB MIN @ 30MHz
-35dB MIN @ 60MHz
-30dB MIN @ 100MHz
- DCMR:
-35dB MIN @ 30MHz
-32dB MIN @ 60MHz
-30dB MIN @ 100MHz
- Hipot Test: 1500Vrms MIN
- Operating Temperature: -40°C to +85°C.

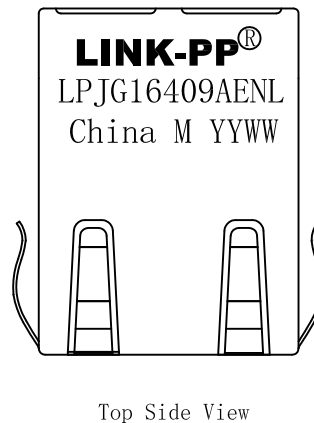
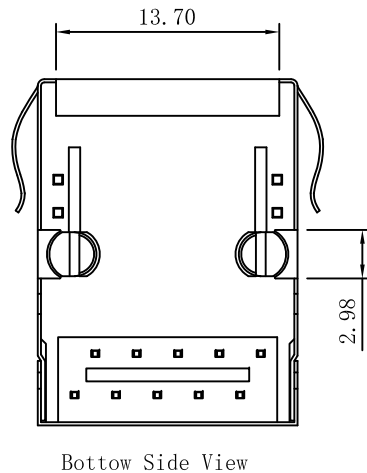
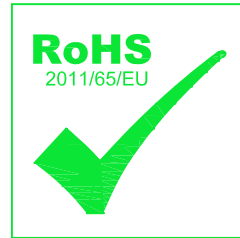
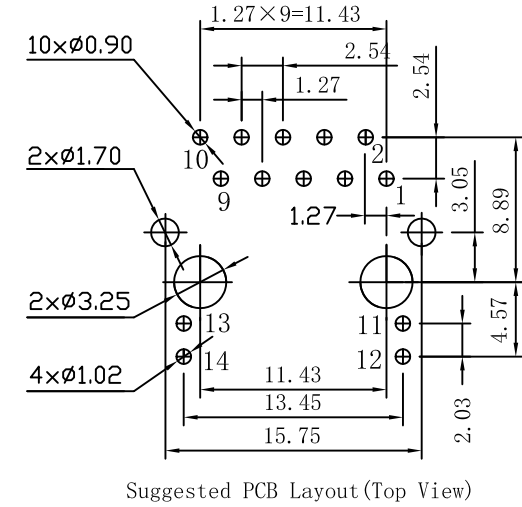
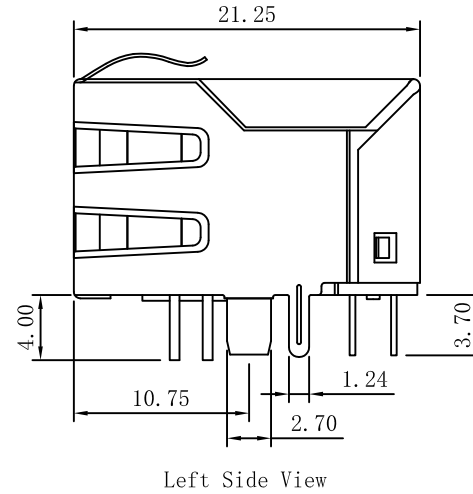
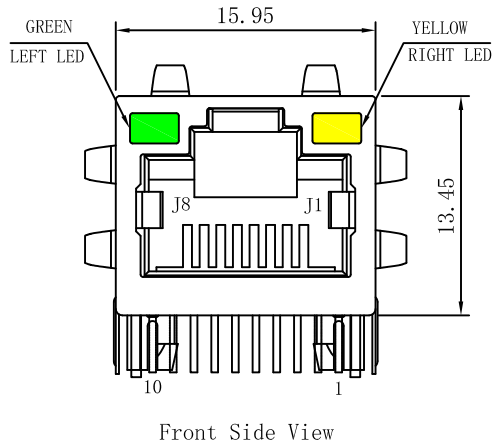
Emitting Color	λ_p (nm)	VF@IF=20mA	IR @VR=5V
GREEN	565	1.8-2.6V	10 µA max
YELLOW	585	1.8-2.6V	10 µA max



X:X	± 0.30	APPD:	LINK-PP INT'L TECHNOLOGY CO., LIMITED
X:XX	± 0.25	CHKD:	
X:XXX	± 0.05	DR: TOM	
ANGLES	$\pm 1^\circ$	UNIT: mm	PART NO.: LPJG16409AENL
	SCALE: 2/1	SHEET: 1/2	REV: A
			DWG NO.: LP16052758

Mechanical:

REV.	ECN NO.	DESCRIPTION	DATE	APPD
A	REL		2016-05-27	



NOTES:

1. Designed to support application, such as SOHO (ADSL modems), LAN-on-Motherboard (LOM), hub and Switches.
2. Meets IEEE802.3 specification
3. Connector Materials:
Housing: Thermoplastic PBT+30%G.F UL94V-0
Contact: Phosphor Bronze C5210R-EH Thickness=0.35mm
Pins: Brass C2680R-H Thickness=0.35mm
Shield: SUS 201-1/2H Thickness=0.2mm
Contact plating: Gold 6 micro-inches min. In contact area.
4. Wave solder tip temperature: 265°C Max, 5 Sec.
5. UL Certification: File Number E484635.

X:X ±0.30	APPD:	LINK-PP INT'L TECHNOLOGY CO., LIMITED
X:XX ±0.25	CHKD:	
X:XXX ±0.05	DR: TOM	TITLE: RJ45 Connector with 1000 Base-T Integrated Magnetics
ANGLES ±1°	UNIT: mm	PART NO.: LPJG16409AENL
	SCALE: 2/1	SHEET: 2/2
	REV: A	DWG NO.: LP16052758