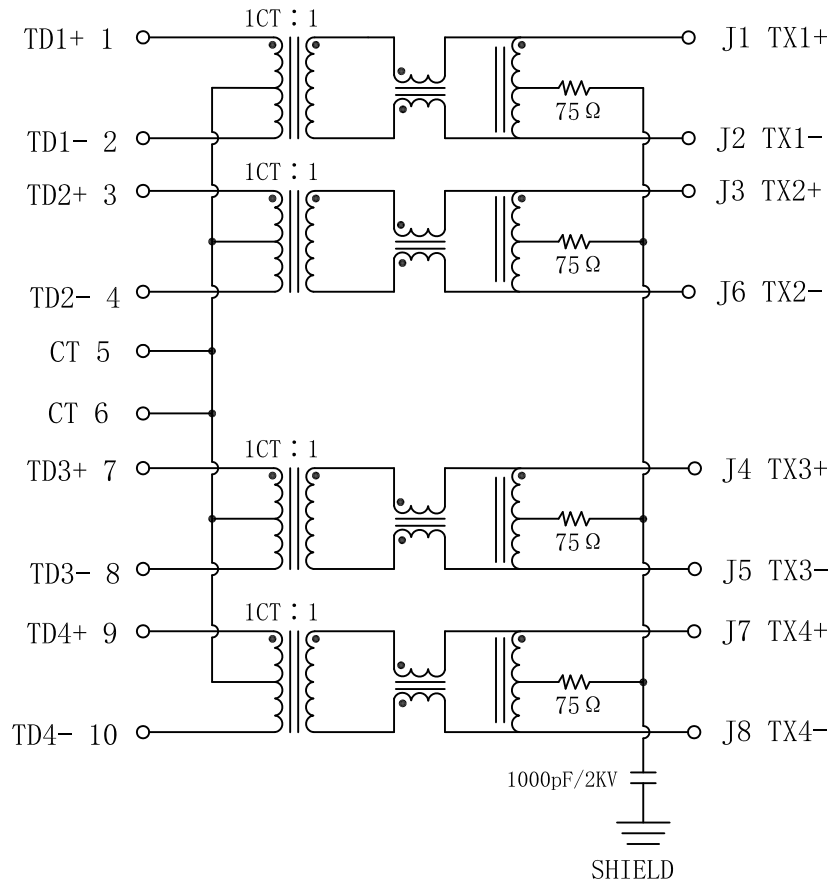


Schematic:

REV.	ECN NO.	DESCRIPTION	DATE	APPD
A	REL		2011/02/11	

PCB CONNECTIONS



Electrical Specifications @ 25°C

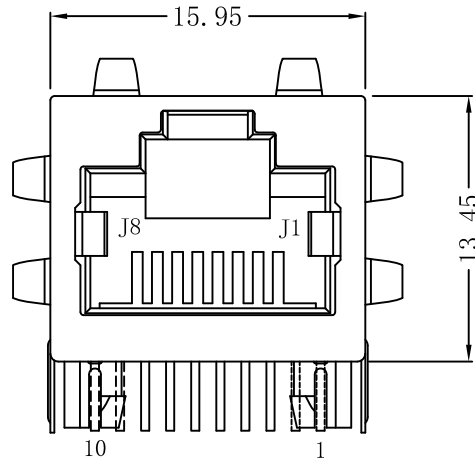
- Turns Ratio ($\pm 2\%$):
Pri : Sec = 1CT : 1
- Inductance (@100KHz, 100mV, 8mA DC Bias):
J1-J2; J3-J6; J4-J5; J7-J8: 350uH Min
- Insertion Loss:
0.1~0.9MHz: -1.0dB Max
0.9~100MHz: -1.1dB Max
- Return Loss (dB Min):
0.1~15MHz: -18 15~60MHz: -16
60~80MHz: -15 80~100MHz: -12
- Crosstalk (dB Min):
0.1~0.9MHz: -43 1~15MHz: -35
15~30MHz: -26 30~100MHz: -24
- Common Mode Rejection (dB Min):
0.1~30MHz: -46 30~100MHz: -42
- Isolation Voltage: 1500Vrms
- Operating Temperature Range: -40°C ~ +85°C.



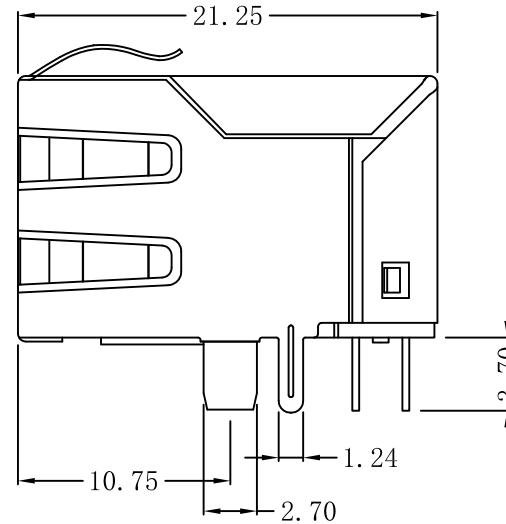
X:X	± 0.30	APPD:	LINK-PP INT'L TECHNOLOGY CO., LIMITED	
X:XX	± 0.25	CHKD:	TITLE: RJ45 Connector With 1000 Base-TX Integrated Magnetic	
X:XXX	± 0.05	DR: TOM		
ANGLES	$\pm 1^\circ$	UNIT: mm	PART NO.: LPJG16305AENL	
	SCALE: 2/1	SHEET: 1/2	REV: A	DWG NO.: LP11021140

Mechanical:

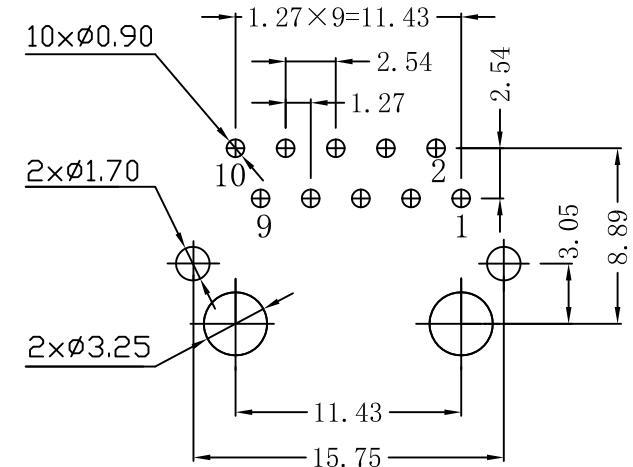
REV.	ECN NO.	DESCRIPTION	DATE	APPD
A	REL		2011/02/11	



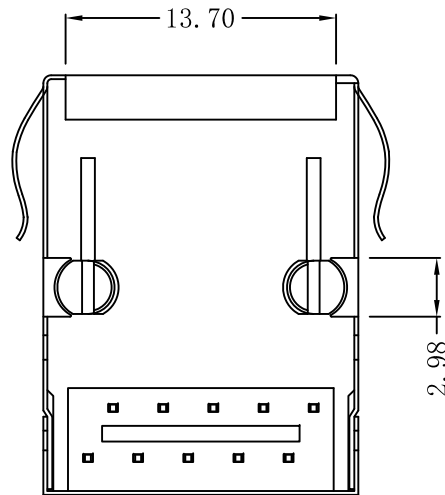
Front Side View



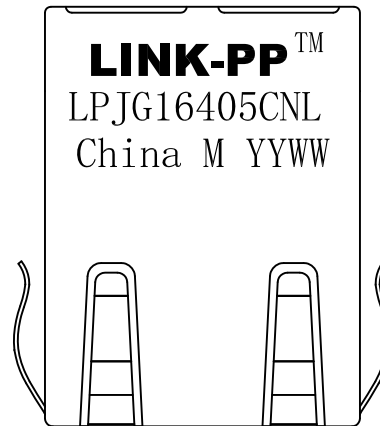
Left Side View



Suggested PCB Layout (Top View)



Bottom Side View



Top Side View

NOTES:

1. Designed to support application, such as SOHO (ADSL modems), LAN-on-Motherboard (LOM), hub and Switches.
2. Meets IEEE 802.3 specification
3. Connector Materials:
 Housing: Thermoplastic PBT+30%G. F UL94V-0
 Contact: Phosphor Bronze C5210R-EH Thickness=0.35mm
 Pins: Brass C2680R-H Thickness=0.35mm
 Shield: SUS 201-1/2H Thickness=0.2mm
 Contact plating: Gold 6 micro-inches min. In contact area.
4. Wave solder tip temperature: 265°C Max, 5 Sec Max.
5. UL Certification: File Number E484635.

X:X	±0.30	APPD:	LINK-PP INT'L TECHNOLOGY CO., LIMITED
X:XX	±0.25	CHKD:	
X:XXX	±0.05	DR: TOM	TITLE: RJ45 Connector With 1000 Base-TX Integrated Magnetic
ANGLES	±1°	UNIT: mm	PART NO.: LPJG16305AENL
	SCALE: 2/1	SHEET: 2/2	REV: A
			DWG NO.: LP11021140