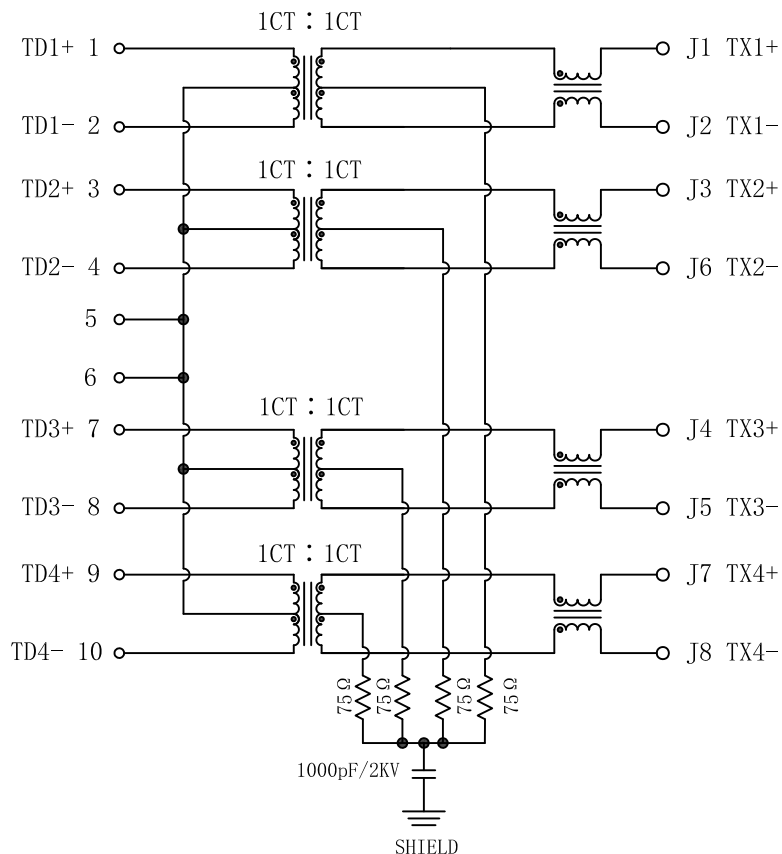


Schematic:

REV.	ECN NO.	DESCRIPTION	DATE	APPD
A	REL		2011/02/11	

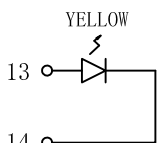
PC BOARD CONNECTIONS



RJ45 CONNECTOR

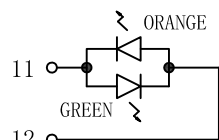
Electrical Specifications @25°C

- Turns Ratio:
Pri:Sec= 1CT:1CT ±2%
- Insertion Loss:
0.9-100MHz:-1.0dB Max
- Return Loss(dB Min @100Ω):
1-30MHz:-18 30-60MHz:-16
60-80MHz:-12 80-100MHz:-10
- Crosstalk:
1-100MHz:-25dB Min
- Common Mode Rejection:
1-100MHz:-30dB Min
- OCL (@100KHz, 0.1Vrms, 8mA DC):
350uH Min.
- Hipot: 1500Vrms Min
- Operating Temperature: -40°C ~ +85°C



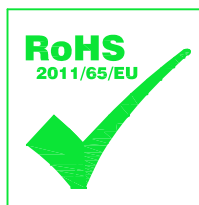
LEFT LED

LED POLARITY		COLOR
PIN 13	PIN 14	
+	-	YELLOW



RIGHT LED

LED POLARITY		COLOR
PIN 11	PIN 12	
+	-	GREEN
-	+	ORANGE

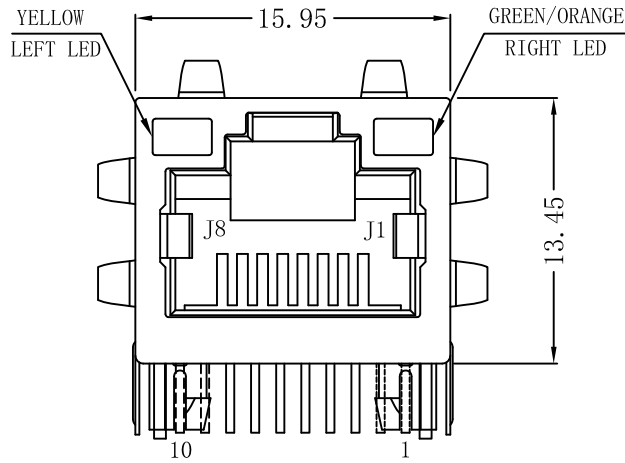


Emitting Color	λ p(nm)	VF@IF=20mA	IR @VR=5V
GREEN	565	1.8~2.6V	10 μ A max
YELLOW	585	1.8~2.6V	10 μ A max
ORANGE	610	1.8~2.6V	10 μ A max

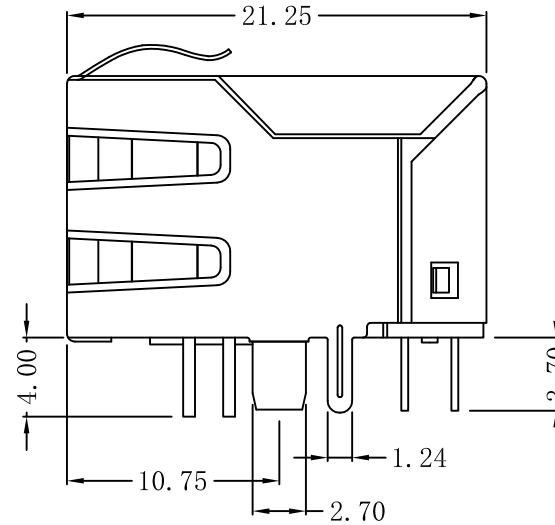
X:X	±0.30	APPD:	LINK-PP INT'L TECHNOLOGY CO., LIMITED
X:XX	±0.25	CHKD:	
X:XXX	±0.05	DR: TOM	TITLE: RJ45 Connector With 1000 Base-TX Integrated Magnetic
ANGLES	±1°	UNIT: mm	PART NO.: LPJG16402AQL
	SCALE: 2/1	SHEET: 1/2	REV: A
			DWG NO.: LP11021122

Mechanical:

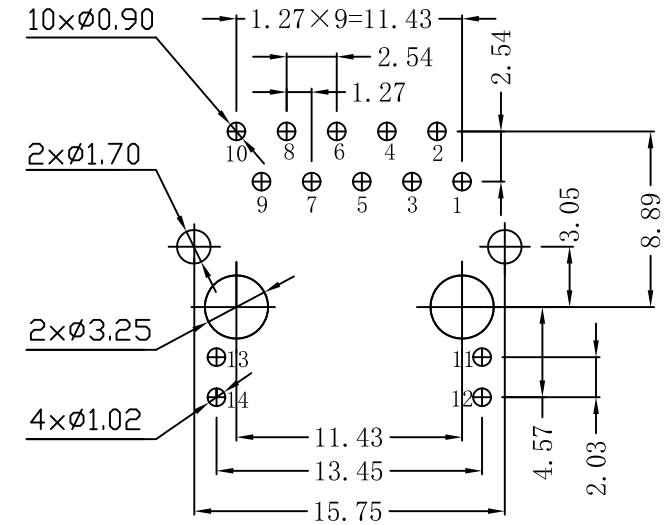
REV.	ECN NO.	DESCRIPTION	DATE	APPD
A	REL		2011/02/11	



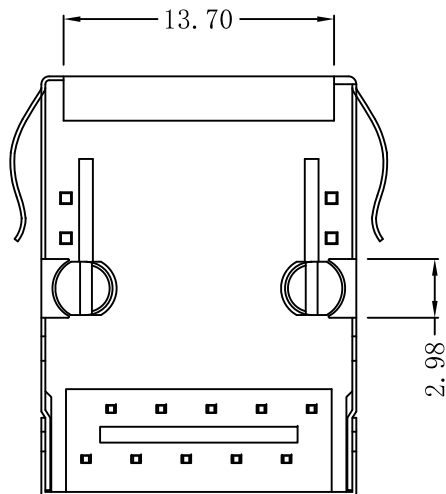
Front Side View



Left Side View



Suggested PCB Layout (Top View)



Bottom Side View



Top Side View

NOTES:

1. Designed to support application, such as SOHO (ADSL modems), LAN-on-Motherboard (LOM), hub and Switches.
2. Meets IEEE 802.3 specification
3. Connector Materials:
 Housing: Thermoplastic PBT+30%G. F UL94V-0
 Contact: Phosphor Bronze C5210R-EH Thickness=0.35mm
 Pins: Brass C2680R-H Thickness=0.35mm
 Shield: SUS 201-1/2H Thickness=0.2mm
 Contact plating: Gold 6 micro-inches min. In contact area.
4. Wave solder tip temperature: 265°C Max, 5 Sec Max.
5. UL Certification: File Number E484635.

X:X	±0.30	APPD:	LINK-PP INT'L TECHNOLOGY CO., LIMITED
X:XX	±0.25	CHKD:	
X:XXX	±0.05	DR: TOM	TITLE: RJ45 Connector With 1000 Base-TX Integrated Magnetic
ANGLES	±1°	UNIT: mm	PART NO.: LPJG16402AQN
	SCALE: 2/1	SHEET: 2/2	REV: A DWG NO.: LP11021122