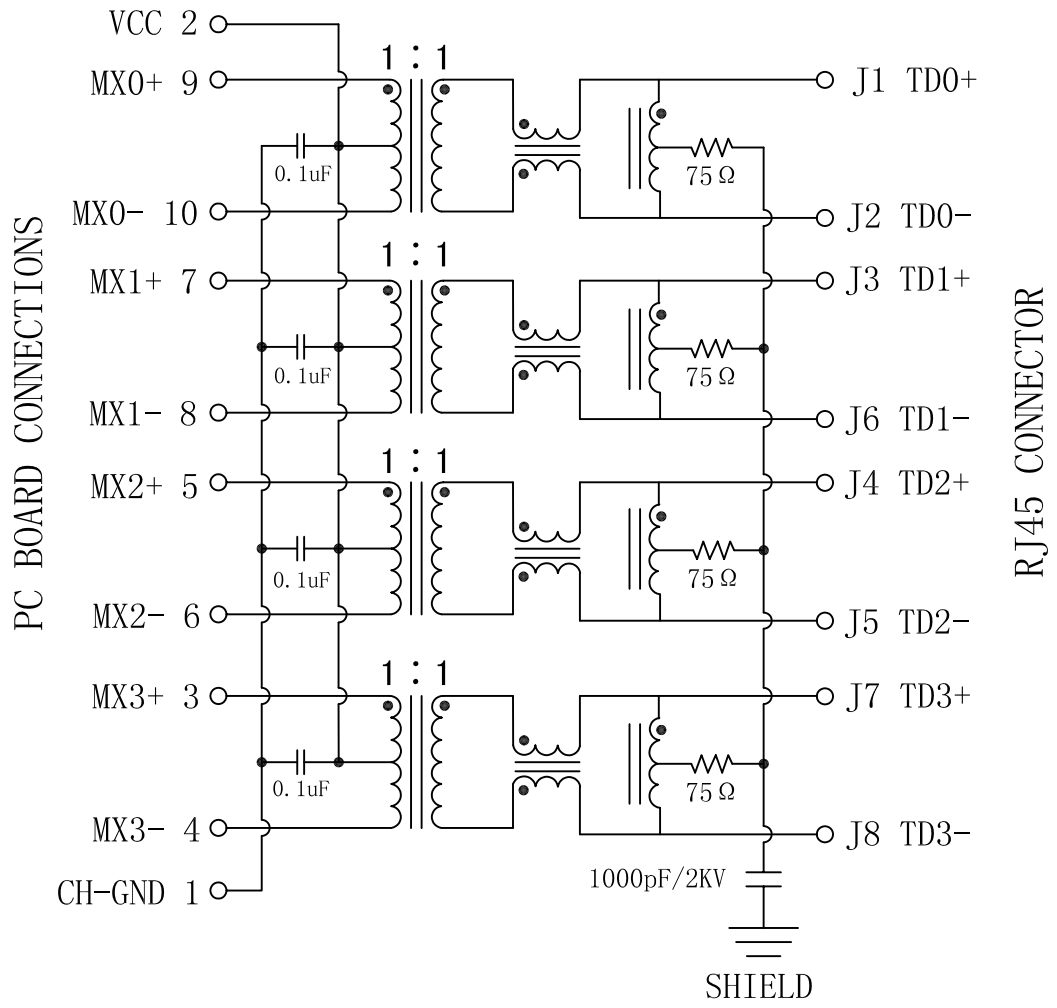


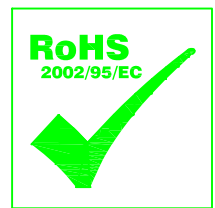
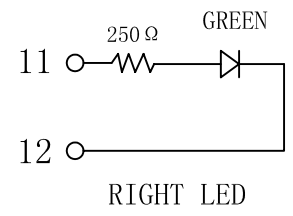
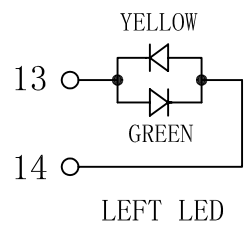
# Schematic:

REV.	ECN NO.	DESCRIPTION	DATE	APPD
A	REL		29/11/2008	



## Electrical Specifications @25°C

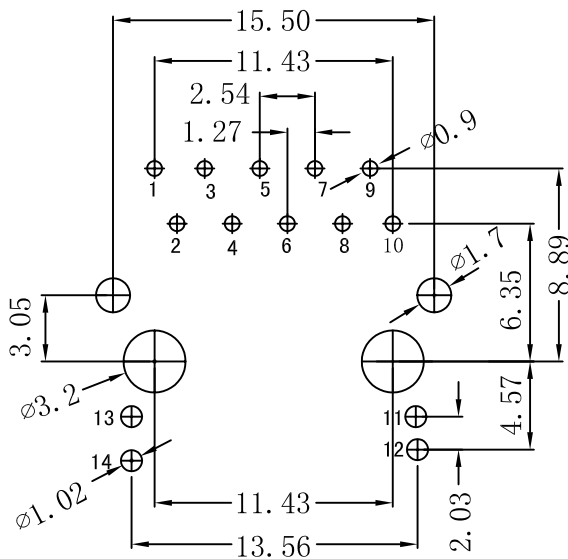
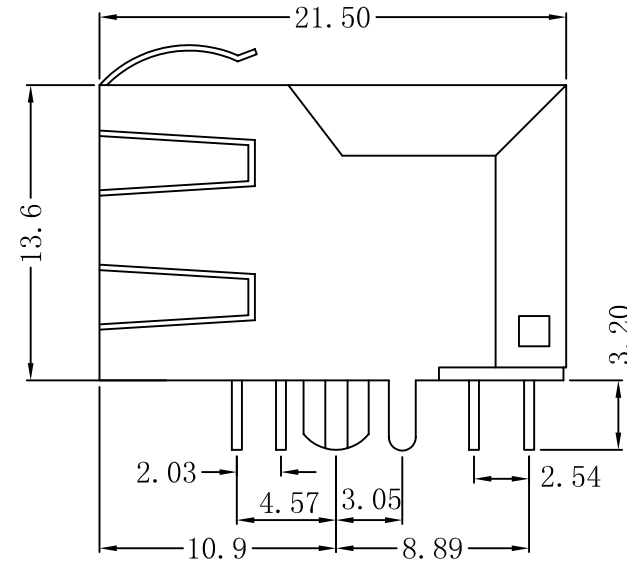
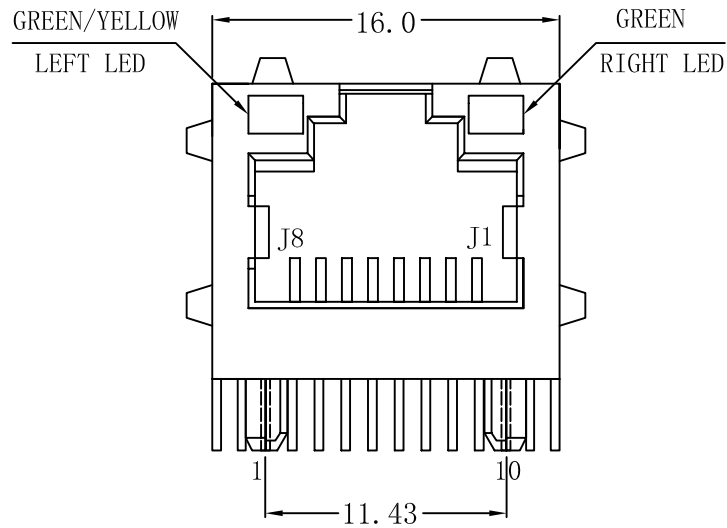
- Impedance: 100 ohms
- OCL: 350uH Min  
@ 100KHz, 0.1Vrms, 8mADC BIAS
- Turns Ratio:  
TX=1:1      RX=1:1
- Insertion Loss:  
0.5-100MHz: -1.1dB Max
- Return Loss (dB Min):  
0.5-40MHz: -18  
40.1-100MHz: -[12-20LOG(f/50)]
- Crosstalk (dB Min):  
0.5-40MHz: -35  
40.1-100MHz: -[33-20LOG(f/50)]
- Common Mode Rejection Ratio:  
0.5-100MHz: -30 dB Min
- Isolation Voltage: 1500Vrms
- Operating Temperature: 0°C ~ 70°C.



X:X	±0.20	APPD:	LINK-PP INT'L TECHNOLOGY CO., LIMITED	
X:XX	±0.10	CHKD:	Title: RJ45 Connector With 1000 Base-TX Integrated Magnetic	
X:XXX	±0.05	DR: TOM	PART NO.: LPJG16314A94NL	
ANGLES	±1°	UNIT: mm		
	SCALE: 2/1	SHEET: 1/2	REV: A	DWG NO.: LP08112910

# Mechanical :

REV.	ECN NO.	DESCRIPTION	DATE	APPD
A	REL		29/11/2008	



Suggested PCB Layout (TOP VIEW)



## NOTES:

1. Designed to support application, such as SOHO (ADSL modems), LAN-on-Motherboard (LOM), hub and Switches.
2. Meets IEEE 802.3 specification
3. Connector Materials:  
Housing: Thermoplastic UL94V-0  
Contact/Shield: Copper alloy  
Shield plating: Nickel  
Contact plating: Gold 6 micro-inches min. In contact area.
4. Wave solder tip temperature: 265°C Max  
Wave solder tip temperature time: 5 Sec Max

X:X	±0.20	APPD:	LINK-PP INT'L TECHNOLOGY CO., LIMITED	
X:XX	±0.10	CHKD:	Title: RJ45 Connector With 1000 Base-TX Integrated Magnetic	
X:XXX	±0.05	DR: TOM		
ANGLES	±1°	UNIT: mm	PART NO. : LPJG16314A94NL	
	SCALE: 2/1	SHEET: 2/2	REV: A	DWG NO. : LP08112910