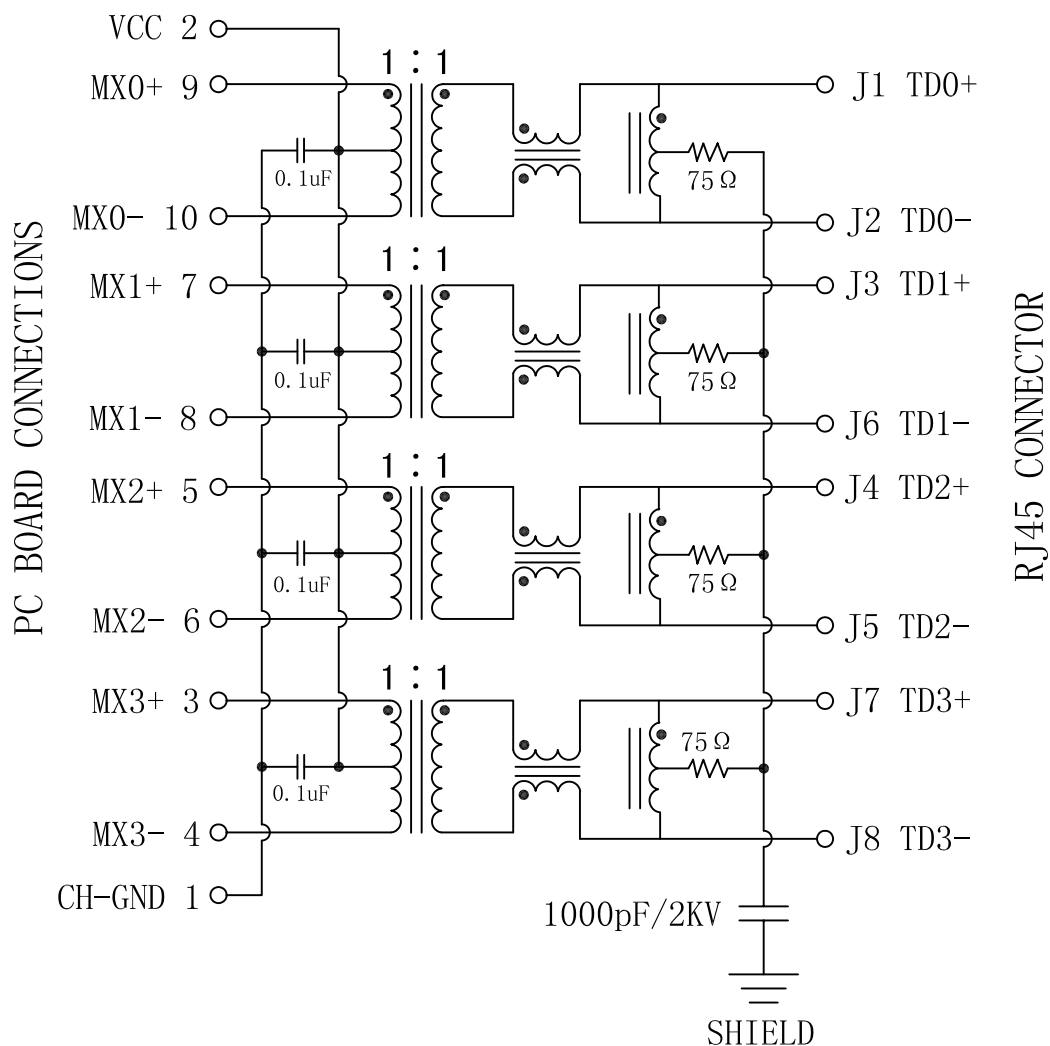


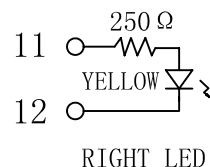
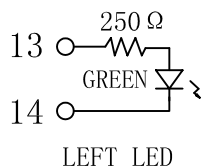
Schematic:

REV.	ECN NO.	DESCRIPTION	DATE	APPD
A	REL		2013/03/01	



Electrical Specifications @25°C

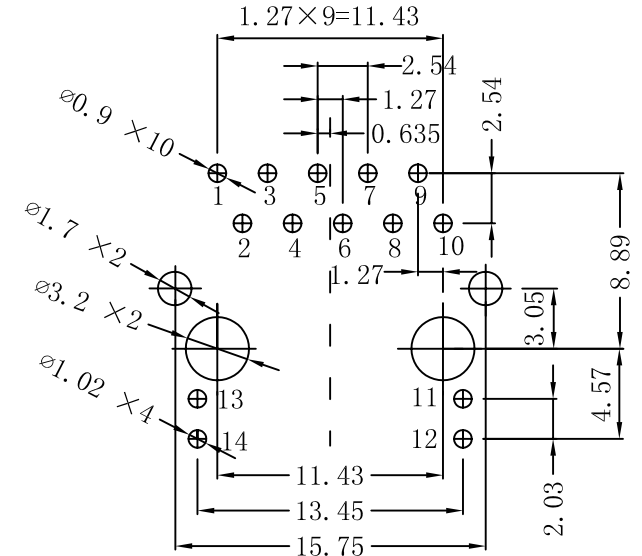
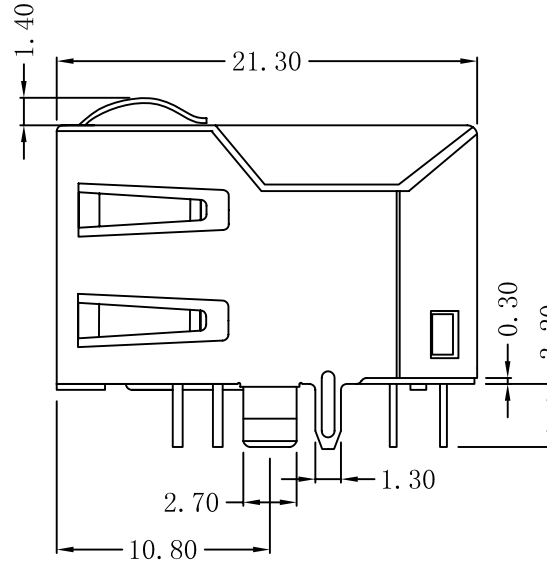
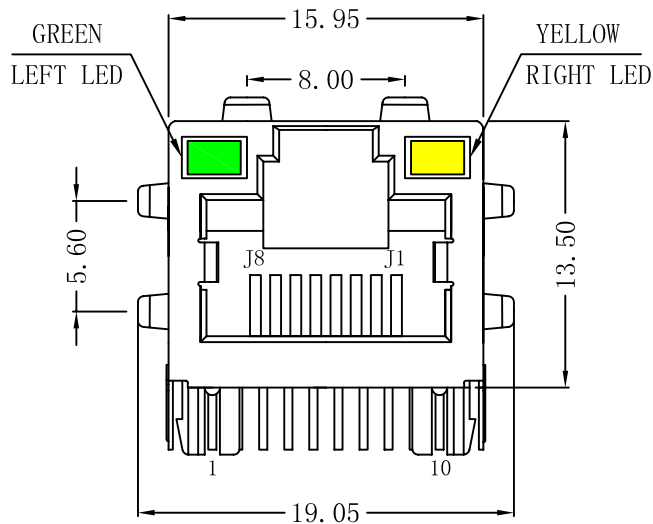
1. Impedance: 100 ohms
2. OCL: 350uH Min
@100KHz, 0.1Vrms, 8mADC BIAS
3. Turns Ratio: 1 : 1
4. Insertion Loss:
0.5-100MHz: -1.1dB Max
5. Return Loss (dB Min):
0.5-40MHz: -18
40.1-100MHz: -[12-20LOG (f/50)]
6. Crosstalk (dB Min):
0.5-40MHz: -35
40.1-100MHz: -[33-20LOG (f/50)]
7. Common Mode Rejection Ratio:
0.5-100MHz: -30 dB Min
8. Isolation Voltage: 1500Vrms Min
9. Operating Temperature: 0°C ~ 70°C.



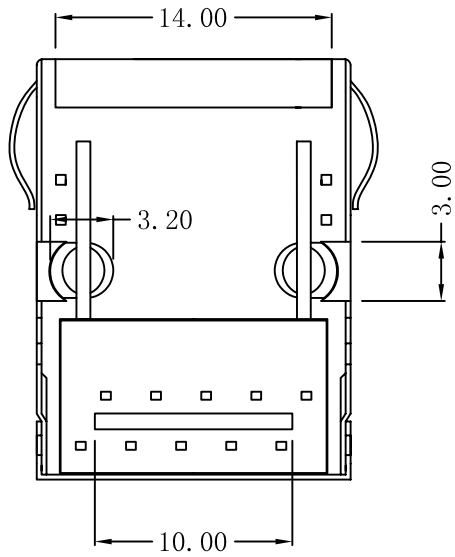
X:X	±0.20	APPD:	LINK-PP INT'L TECHNOLOGY CO., LIMITED	
X:XX	±0.10	CHKD:	TITLE: RJ45 Connector With 1000 Base-TX Integrated Magnetic	
X:XXX	±0.05	DR: TOM	PART NO.: LPJG16314A28NL	
ANGLES	±1°	UNIT: mm		
	SCALE: 2/1	SHEET: 1/2	REV: A	DWG NO.: LP13030110

Mechanical:

REV.	ECN NO.	DESCRIPTION	DATE	APPD
A	REL		2013/03/01	



SUGGESTED PCB LAYOUT(TOP VIEW)



NOTES:

1. Designed to support application, such as SOHO (ADSL modems), LAN-on-Motherboard (LOM), hub and Switches.
2. Meets IEEE 802.3 specification
3. Connector Materials:
Housing: Thermoplastic UL94V-0
Contact/Shield: Copper alloy
Shield plating: Nickel
Contact plating: Gold 6 micro-inches min. In contact area.
4. Wave solder tip temperature: 265°C Max
Wave solder tip temperature time: 5 Sec Max



X:X	±0.20	APPD:	LINK-PP INT'L TECHNOLOGY CO., LIMITED
X:XX	±0.10	CHKD:	
X:XXX	±0.05	DR: TOM	TITLE: RJ45 Connector With 1000 Base-TX Integrated Magnetic
ANGLES	±1°	UNIT: mm	PART NO.: LPJG16314A28NL
	SCALE: 2/1	SHEET: 2/2	REV: A DWG NO.: LP13030110