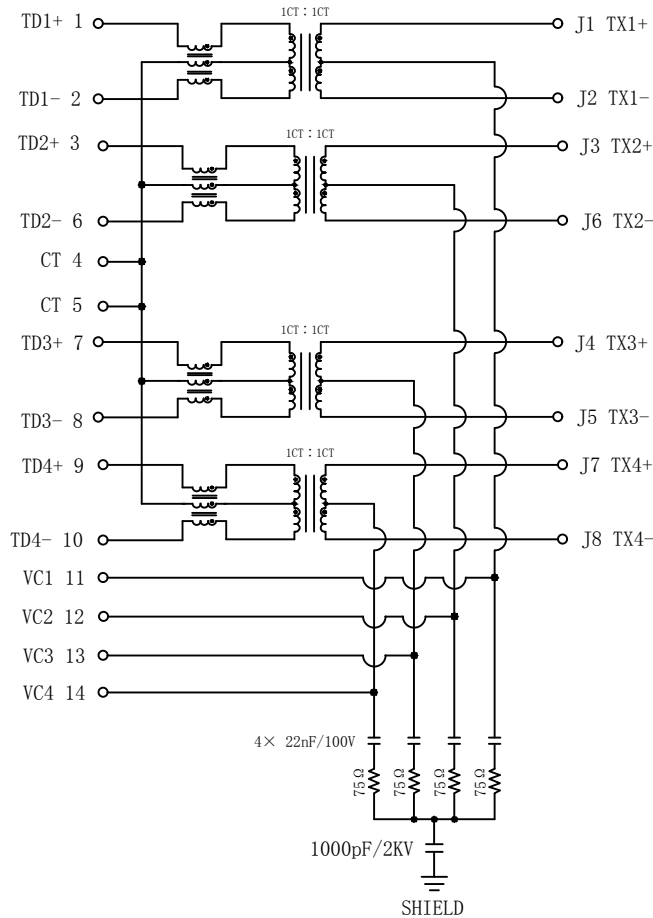
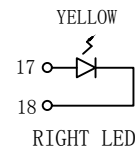
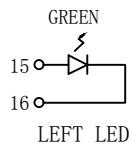


Schematic:

PC BOARD CONNECTIONS



RJ45 CONNECTOR



REV.	ECN NO.	DESCRIPTION	DATE	APPD
A	REL	① = 4.0mm ② = 3.6mm	2018-02-26	
B	REL	① = 3.7mm (4.0mm → 3.7mm) ② = 4.1mm (3.6mm → 4.1mm)	2018-10-16	
C	REL	① = 2.85mm (3.7mm → 2.85mm) ② = 4.1mm	2019-09-18	

ELECTRICAL SPECIFICATIONS @25°C

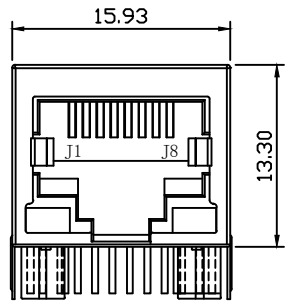
- Turn Ratio(±5%):
Pri : Sec = 1CT : 1CT
- Inductance OCL:
350uH MIN @100KHz/0.1V, 8mA DC Bias
120uH MIN @100KHz/0.1V, 18mA DC Bias
- Insertion Loss:
-1.0dB MAX @1-100MHz
-1.2dB MAX @100-125MHz
- Return Loss:
-16dB MIN @1-40MHz
-12dB MIN @40-60MHz
-10dB MIN @60-80MHz
-8dB MIN @80-100MHz
- Cross talk:
-30dB MIN @1-100MHz
- Common to Common Mode Rejection:
-30dB MIN @1-100MHz
- DC Current/Voltage Rating pse Pins:
720mA MAX @57VDC(Continuous)
- Isolation PHY SIDE To Line SIDE : 1500Vrms
- Operating Temperature: 0°C to 70°C.

Emitting Color	λp(nm)	VF@IF=20mA	IR @VR=5V
GREEN	565	1.8~2.6V	10 μA max
YELLOW	585	1.8~2.6V	10 μA max

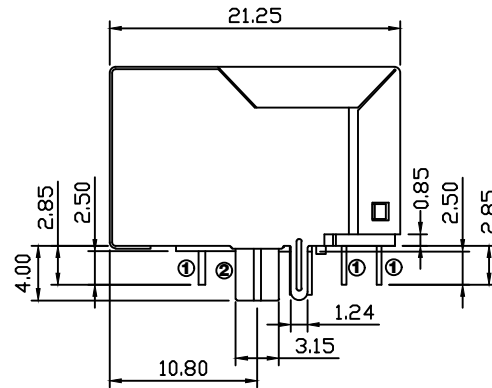
X:X ±0.30	APPD: TOM	LINK-PP INT'L TECHNOLOGY CO., LIMITED
X:XX ±0.25	CHKD: JAMES	
X:XXX ±0.05	DR: LEO	TITLE: RJ45 Connector with 1000 Base-T Integrated Magnetics For PoE+ Application
ANGLES ±1°	UNIT: mm	PART NO. : LPJG0926HENLAR
	SCALE: 2/1	SHEET: 1/4
	REV: C	DWG NO. : LP19091828

Mechanical:

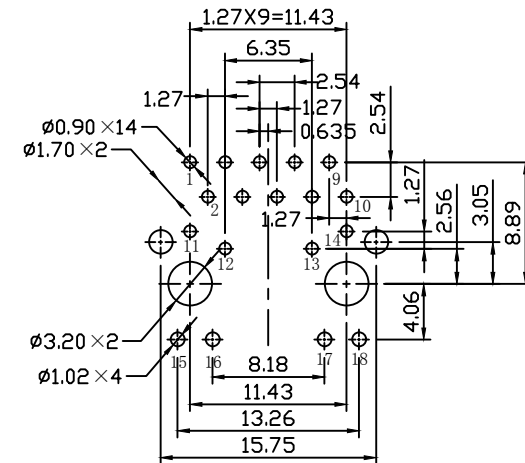
REV.	ECN NO.	DESCRIPTION	DATE	APPD
A	REL	① = 4.0mm ② = 3.6mm	2018-02-26	
B	REL	① = 3.7mm (4.0mm → 3.7mm) ② = 4.1mm (3.6mm → 4.1mm)	2018-10-16	
C	REL	① = 2.85mm(3.7mm → 2.85mm) ② = 4.1mm	2019-09-18	



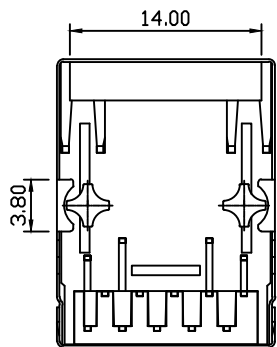
Front Side View



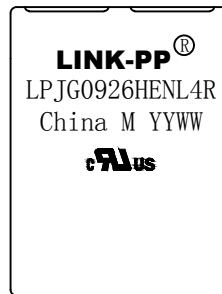
Left Side View



Suggested PCB Layout (Top View)



Bottom Side View



Top Side View

NOTES:

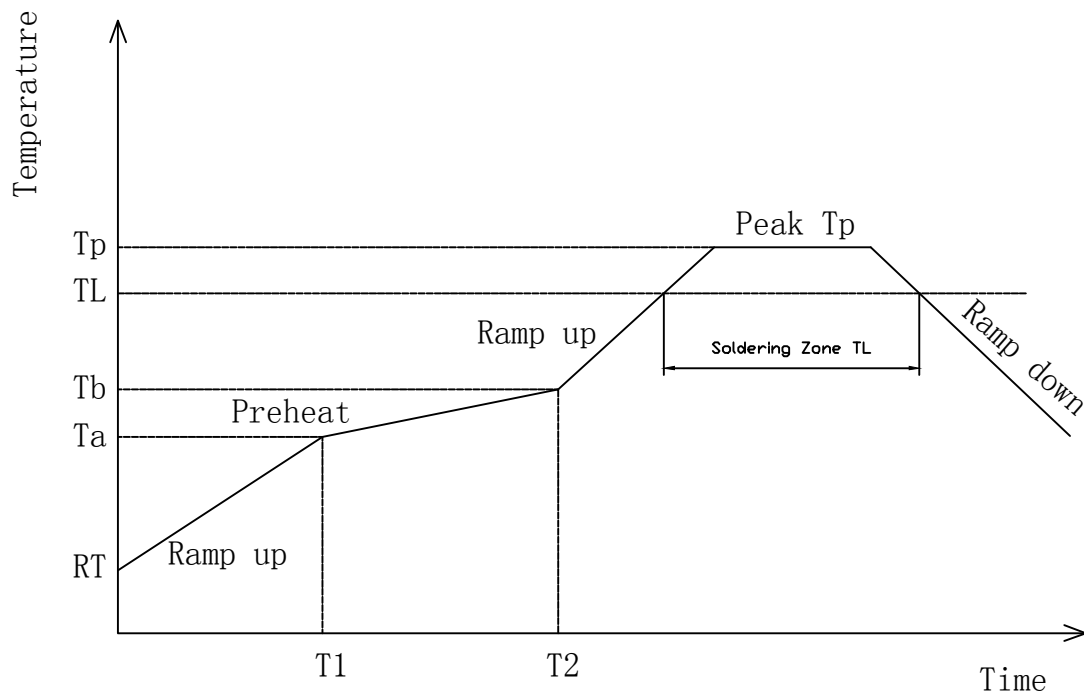
1. Designed to support application, such as SOHO (ADSL modems), LAN-on-Motherboard (LOM), hub and Switches.
2. Meets IEEE802.3at specification.
3. Connector Materials:
 Housing: Thermoplastic PA46+30%G.F UL94V-0
 Contact: Phosphor Bronze C5210R-EH Thickness=0.35mm
 Pins: Brass C2680R-H Thickness=0.35mm
 Shield: SUS 304-1/2H Thickness=0.2mm
 Contact plating: Gold 6 micro-inches min. In contact area.
4. Maximum reflow temperature: 250°C, 5 Sec.
5. UL Certification: File Number E484635.



X:X ±0.30	APPD: TOM	LINK-PP INT'L TECHNOLOGY CO., LIMITED
X:XX ±0.25	CHKD: JAMES	
X:XXX ±0.05	DR: LEO	TITLE: RJ45 Connector with 1000 Base-T Integrated Magnetics For PoE+ Application
ANGLES ±1°	UNIT: mm	PART NO.: LPJG0926HENL4R
	SCALE: 2/1	SHEET: 2/4
	REV: C	DWG NO.: LP19091828

IR Reflow:

REV.	ECN NO.	DESCRIPTION	DATE	APPD
A	REL	① = 4.0mm ② = 3.6mm	2018-02-26	
B	REL	① = 3.7mm (4.0mm ↔ 3.7mm) ② = 4.1mm (3.6mm ↔ 4.1mm)	2018-10-16	
C	REL	① = 2.85mm(3.7mm ↔ 2.85mm) ② = 4.1mm	2019-09-18	



Preheat:
 Temperature (Ta-Tb) : 150-200°C
 Time (t1-t2) : 60-180s

Holding Temperature: 217°C
 Time (TL) : 60-150s

Max Temperature (Tp) : 250 (+0/-5°C)
 Max Time (Tp) : 5s

The average speed: 3°C/S Max
 The average cooling speed: 6°C/S Max

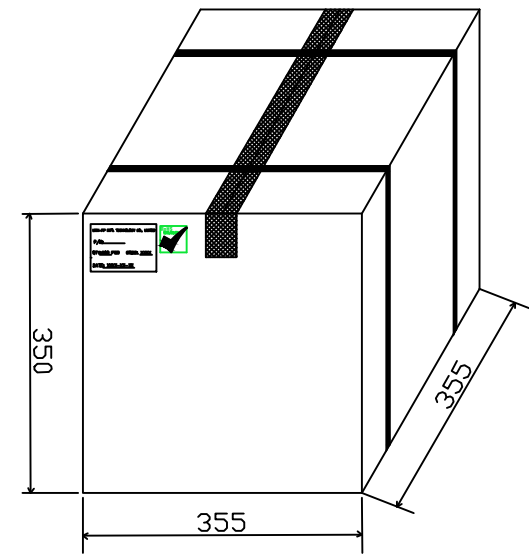
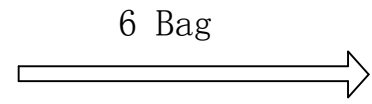
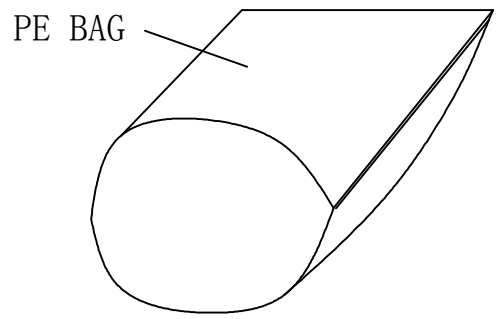
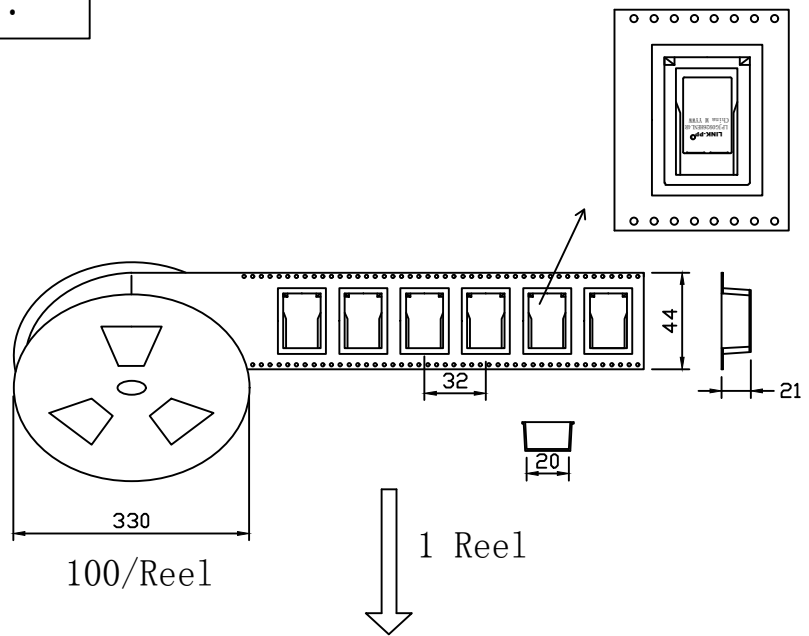
From 25°C to Products out of the furnace: 6 minutes Max



X:X ±0.30	APPD: TOM	LINK-PP INT'L TECHNOLOGY CO., LIMITED
X:XX ±0.25	CHKD: JAMES	
X:XXX ±0.05	DR: LEO	TITLE: RJ45 Connector with 1000 Base-T Integrated Magnetics For PoE+ Application
ANGLES ±1°	UNIT: mm	PART NO.: LPJG0926HENL4R
	SCALE: 2/1	SHEET: 3/4
	REV: A	DWG NO.: LP19091828

Packing:

REV.	ECN NO.	DESCRIPTION	DATE	APPD
A	REL	① = 4.0mm ② = 3.6mm	2018-02-26	
B	REL	① = 3.7mm (4.0mm → 3.7mm) ② = 4.1mm (3.6mm → 4.1mm)	2018-10-16	
C	REL	① = 2.85mm (3.7mm → 2.85mm) ② = 4.1mm	2019-09-18	



- ◆ Packaging unit: 100 pcs/ reel
- ◆ Packaging way: Carrier tape
- ◆ Outer carton unit: 600 pcs/6 Reel/box
- ◆ Net Weight: 4.5 kg
- ◆ Gross Weight: 7 kg



X:X ±0.30	APPD: TOM	LINK-PP INT'L TECHNOLOGY CO., LIMITED
X:XX ±0.25	CHKD: JAMES	
X:XXX ±0.05	DR: LEO	TITLE: 1*1 21.25mm RJ45 PACKING
ANGLES ±1°	UNIT: mm	PART NO.: LPJG0926HENL4R
	SCALE: 2/1	SHEET: 4/4
	REV: A	DWG NO.: LP19091828