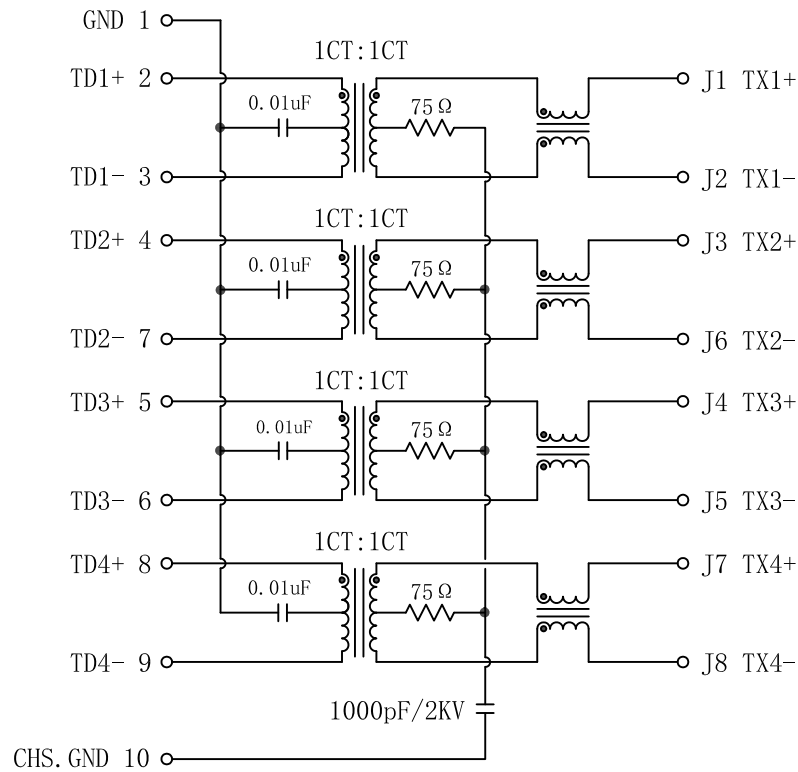


Schematic:

REV.	ECN NO.	DESCRIPTION	DATE	APPD
A	REL		2017-03-22	

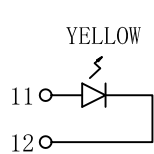
PCB CONNECTIONS



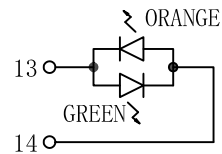
RJ45 CONNECTOR

ELECTRICAL SPECIFICATIONS @25°C

- Turn Ratio ($\pm 2\%$):
Pri:Sec = 1CT:1CT
- Inductance OCL: 350uH Min
@100KHz, 0.1V, 8mA DC Bias
- Insertion Loss:
-1.1dB Max @1~100MHz
- Return Loss:
-18dB Min@1~40MHz
-14dB Min@60MHz
-11.5dB Min@80MHz
-10dB Min. 100MHz
- Cross talk:
-35dB Typ @1~100MHz
- Common Mode Rejection:
-50dB Typ @1~30MHz
-40dB Typ @30~60MHz
-35dB Typ @60~100MHz
- Hipot Test: 1500Vrms MIN
- Operating Temperature: 0°C TO 70°C



LEFT LED



RIGHT LED

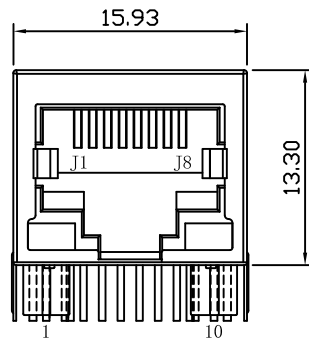
Emitting Color	λ p(nm)	VF@IF=20mA	IR @VR=5V
GREEN / ORANGE	565 / 610	1.8~2.6V	10 μ A max
YELLOW	585	1.8~2.6V	10 μ A max



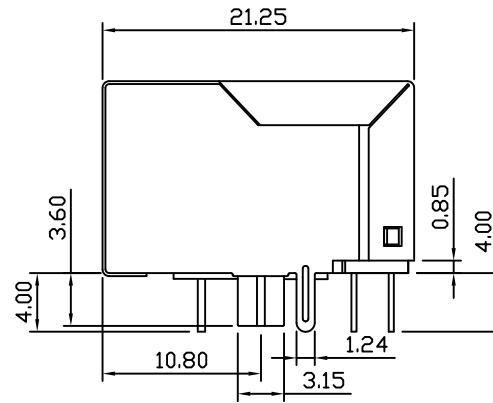
X:X	± 0.30	APPD:	LINK-PP INT'L TECHNOLOGY CO., LIMITED	
X:XX	± 0.25	CHKD:	TITLE: RJ45 Connector with 1000 Base-T Integrated Magnetics	
X:XXX	± 0.05	DR:	PART NO. : LPJG0924H23NL	
ANGLES	$\pm 1^\circ$	UNIT: mm		
	SCALE: 2/1	SHEET: 1/2	REV: A	DWG NO. : LP17032208

Mechanical:

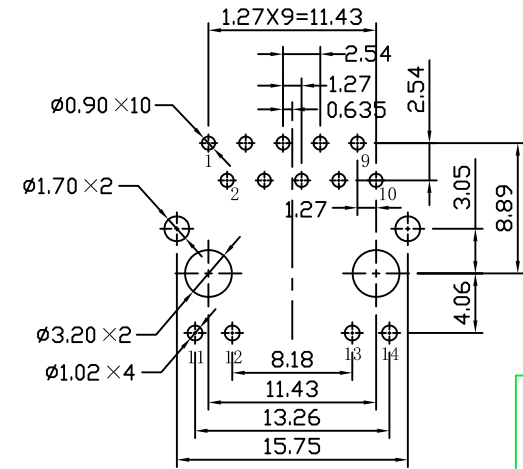
REV.	ECN NO.	DESCRIPTION	DATE	APPD
A	REL		2017-03-22	



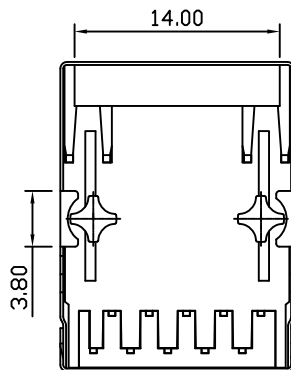
Front Side View



Left Side View



Suggested PCB Layout (Top View)



Bottom Side View



Top Side View

NOTES:

1. Designed to support application, such as SOHO (ADSL modems), LAN-on-Motherboard (LOM), hub and Switches.
2. Meets IEEE802.3 specification
3. Connector Materials:
 Housing: Thermoplastic PBT+30%G.F UL94V-0
 Contact: Phosphor Bronze C5210R-EH Thickness=0.35mm
 Pins: Brass C2680R-H Thickness=0.35mm
 Shield: SUS 201-1/2H Thickness=0.2mm
 Contact plating: Gold 6 micro-inches min. In contact area.
4. Wave solder tip temperature: 265°C Max, 5 Sec Max.
5. UL Certification: File Number E484635.

X:X	±0.30	APPD:	LINK-PP INT'L TECHNOLOGY CO., LIMITED	
X:XX	±0.25	CHKD:	TITLE: RJ45 Connector with 1000 Base-T Integrated Magnetics	
X:XXX	±0.05	DR: TOM	PART NO.: LPJG0924H23NL	
ANGLES	±1°	UNIT: mm	DWG NO.: LP17032208	
	SCALE: 2/1	SHEET: 2/2	REV: A	