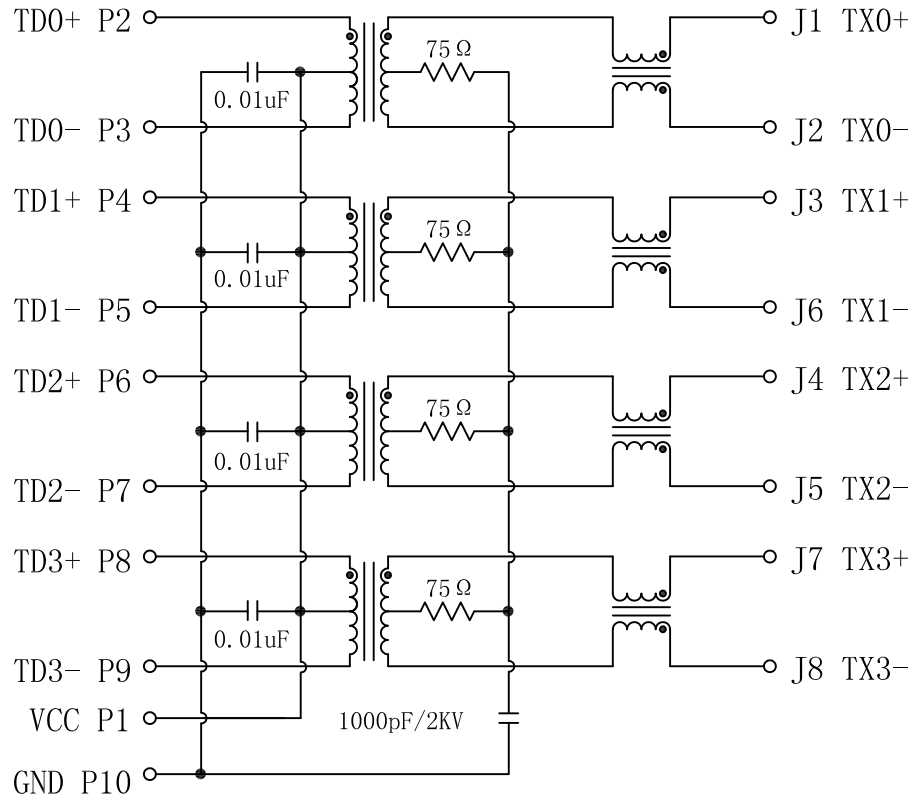


Schematic:

REV.	ECN NO.	DESCRIPTION	DATE	APPD
A	REL		2015/04/22	

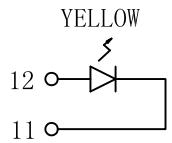
PC BOARD CONNECTIONS



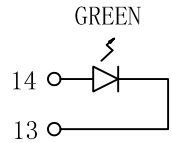
RJ45 CONNECTOR

ELECTRICAL SPECIFICATIONS@25°C

1. Turn Ratio ($\pm 3\%$): 1CT:1CT
2. Inductance OCL: 350uH MIN @100KHz/0.1V, 8mA DC Bias
3. Insertion Loss:
 - 1.0dB MAX @1-100MHz
4. Return Loss:
 - 16dB MIN @1-30MHz
 - 14dB MIN @30-60MHz
 - 10dB MIN @60-80MHz
5. Cross talk:
 - 40dB MIN @1-30MHz
 - 35dB MIN @30-60MHz
 - 30dB MIN @60-80MHz
6. Common Mode Rejection:
 - 35dB MIN @1-100MHz
7. Hipot: 1500VAC 6S 1mA
8. Operating Temperature: 0°C TO 70°C



LEFT LED



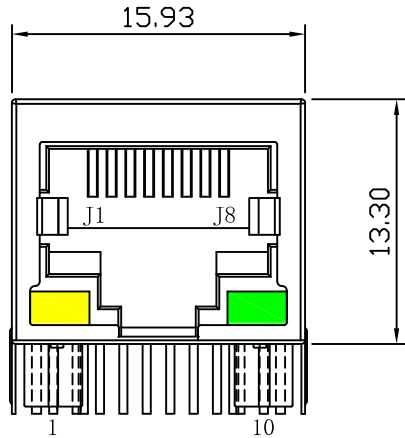
RIGHT LED

Emitting Color	λ p(nm)	VF@IF=20mA	IR @VR=5V
GREEN	565	1.8~2.6V	10 μ A max
YELLOW	585	1.8~2.6V	10 μ A max

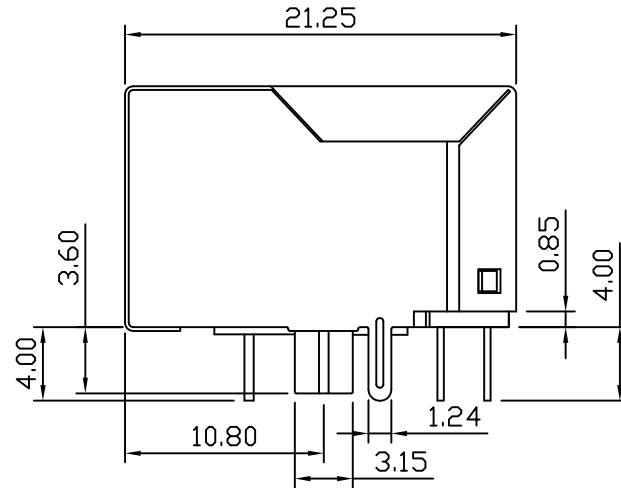
X:X	± 0.30	APPD:	LINK-PP INT'L TECHNOLOGY CO., LIMITED	
X:XX	± 0.25	CHKD:	TITLE: RJ45 Connector with 1000 Base-T Integrated Magnetics	
X:XXX	± 0.05	DR: TOM		
ANGLES	$\pm 1^\circ$	UNIT: mm	PART NO.: LPJG0915HGNL	
	SCALE: 2/1	SHEET: 1/2	REV: A	DWG NO.: LP15042201

Mechanical:

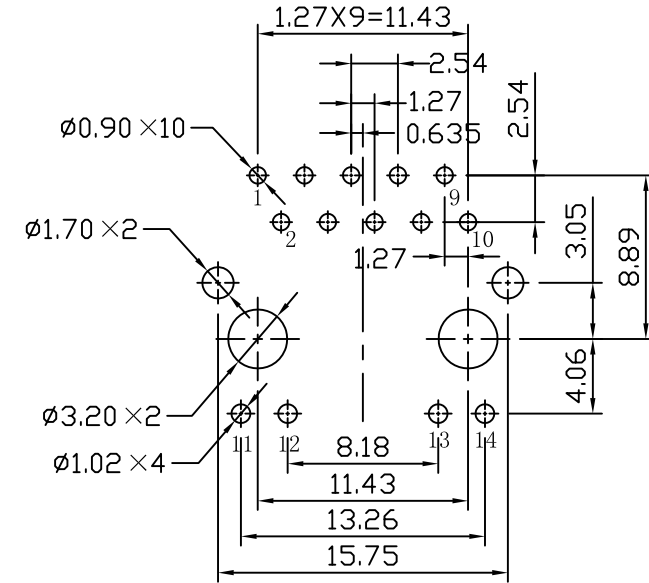
REV.	ECN NO.	DESCRIPTION	DATE	APPD
A	REL		2015/04/22	



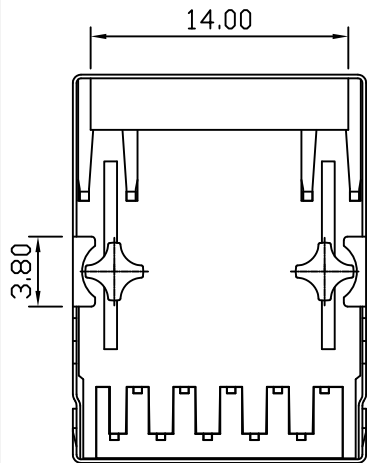
Front Side View



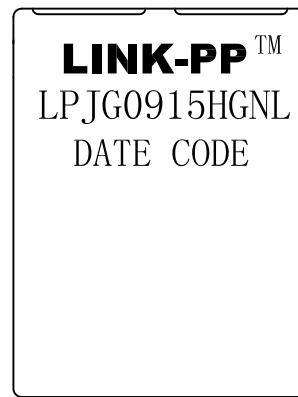
Left Side View



Suggested PCB Layout (Top View)



Bottom Side View



Top Side View

NOTES:

1. Designed to support application, such as SOHO (ADSL modems), LAN-on-Motherboard (LOM), hub and Switches.
2. Meets IEEE802.3 specification
3. Connector Materials:
 Housing: Thermoplastic PBT+30%G.F UL94V-0
 Contact: Phosphor Bronze C5210R-EH Thickness=0.35mm
 Pins: Brass C2680R-H Thickness=0.35mm
 Shield: SUS 201-1/2H Thickness=0.2mm
 Contact plating: Gold 6 micro-inches min. In contact area.
4. Wave solder tip temperature: 265°C Max, 5 Sec Max.

X:X	±0.30	APPD:	LINK-PP INT'L TECHNOLOGY CO., LIMITED	
X:XX	±0.25	CHKD:	TITLE: RJ45 Connector with 1000 Base-T Integrated Magnetics	
X:XXX	±0.05	DR: TOM	PART NO.: LPJG0915HGNL	
ANGLES	±1°	UNIT: mm	DWG NO.: LP15042201	
	SCALE: 2/1	SHEET: 2/2	REV: A	