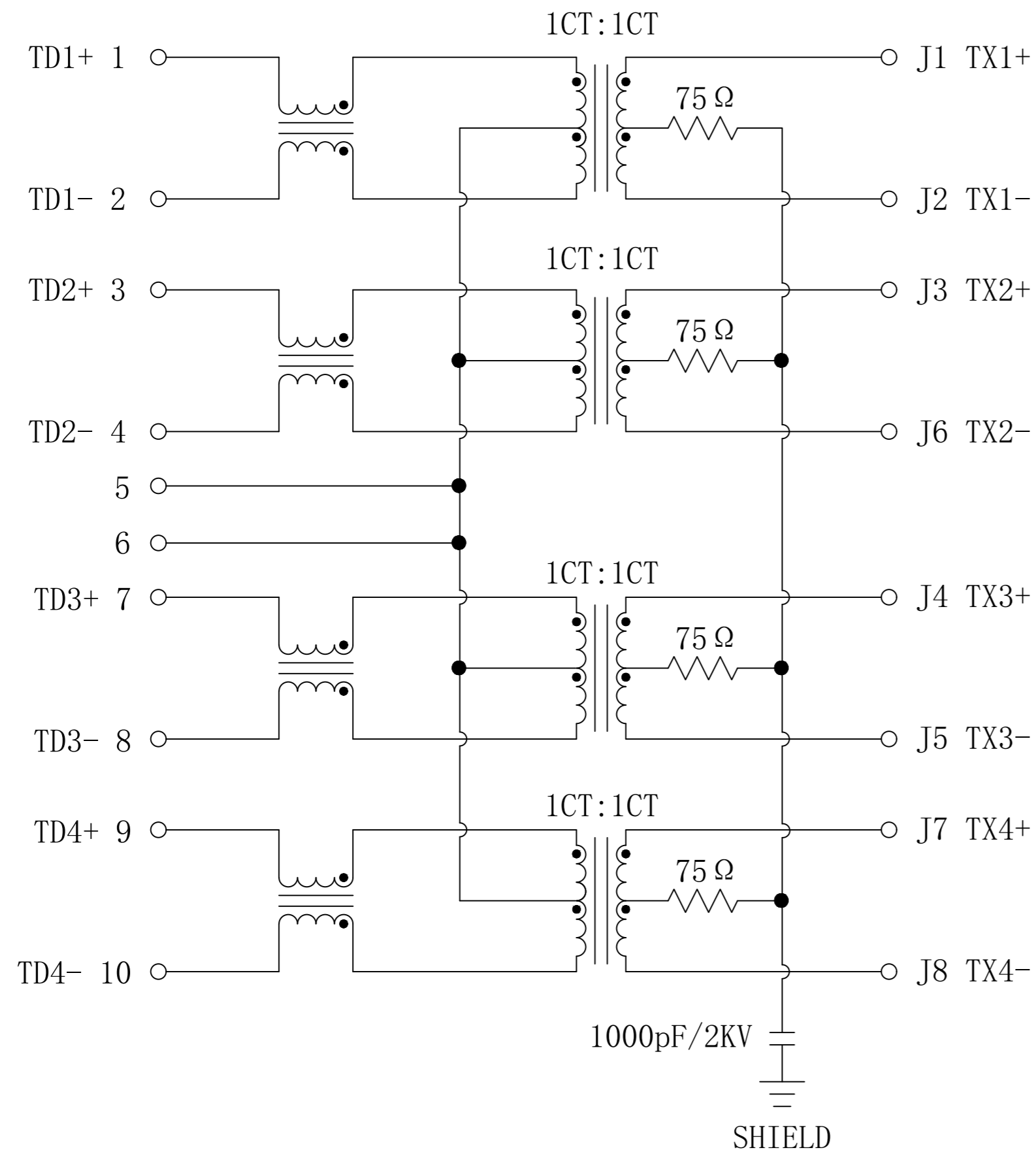


Schematic:

REV.	ECN NO.	DESCRIPTION	DATE	APPD
A	REL		2015-03-18	

PCB CONNECTIONS

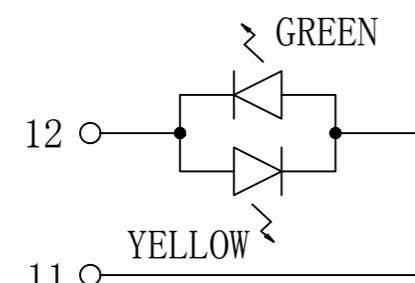


RJ45 CONNECTOR

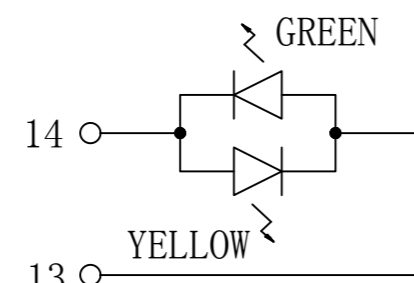
ELECTRICAL SPECIFICATIONS @25°C

- Turn Ratio(±5%): 1CT:1CT
- Inductance OCL: 350uH MIN @100KHz/0.1V,8mA DC Bias
- Insertion Loss:
-1.0dB MAX @ 1-100MHz
- Return Loss(@Load 100Ω):
-16dB MIN @ 1-30MHz
-13.5dB MIN @ 30-40MHz
-11.5dB MIN @ 40-50MHz
-10dB MIN @ 50-80MHz
- Cross talk:
-40dB MIN @ 0.3-30MHz
-35dB MIN @ 30-60MHz
-30dB MIN @ 60-100MHz
- Common Mode Rejection:
-30dB MIN @ 1-30MHz
-25dB MIN @ 30-60MHz
-20dB MIN @ 60-100MHz
- Isolation PHY SIDE To Line SIDE : 1500Vrms
- Operating Temperature: 0°C to 70°C.

Emitting Color	λ_p (nm)	V _F @I _F =20mA	I _R @V _R =5V
GREEN	565	1.8~2.6V	10 μA max
YELLOW	585	1.8~2.6V	10 μA max



LEFT LED



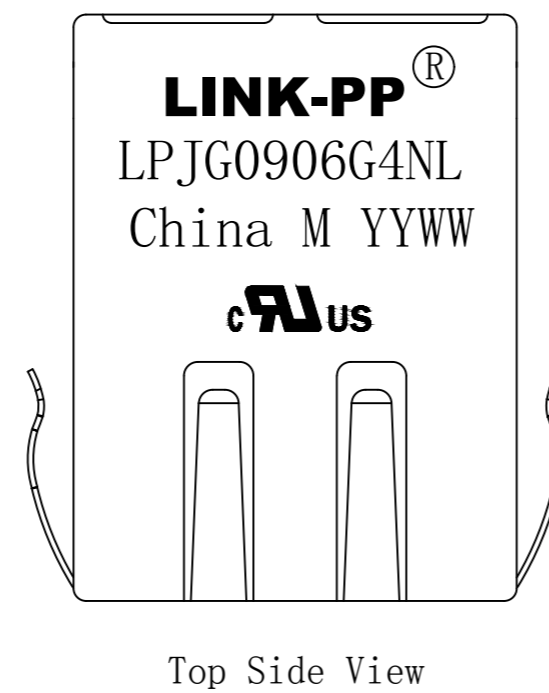
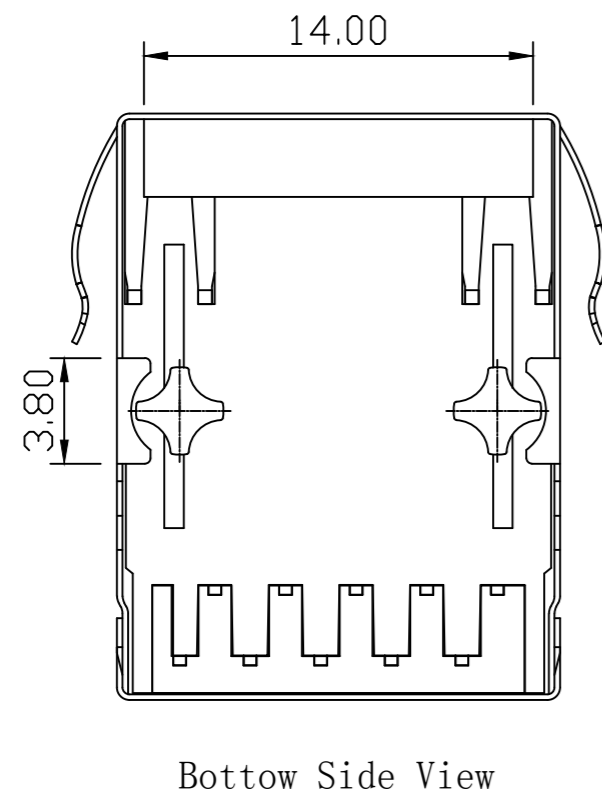
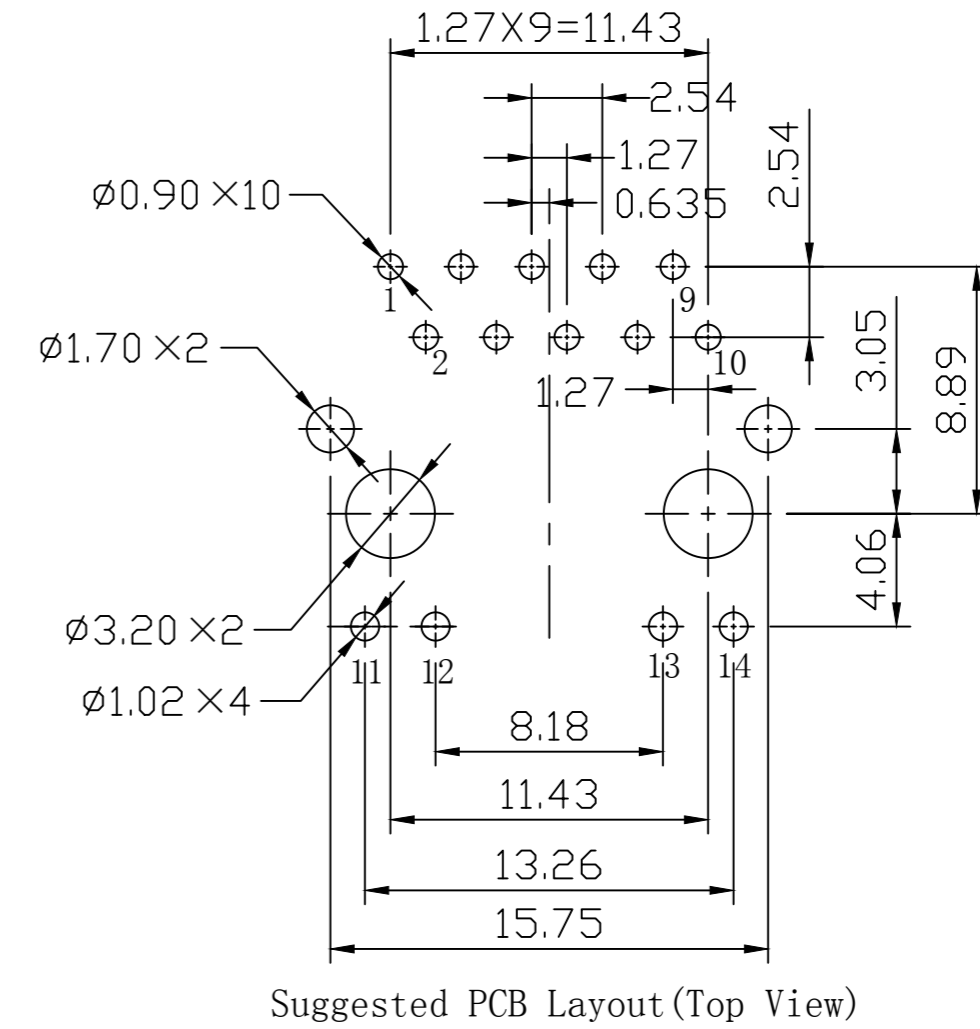
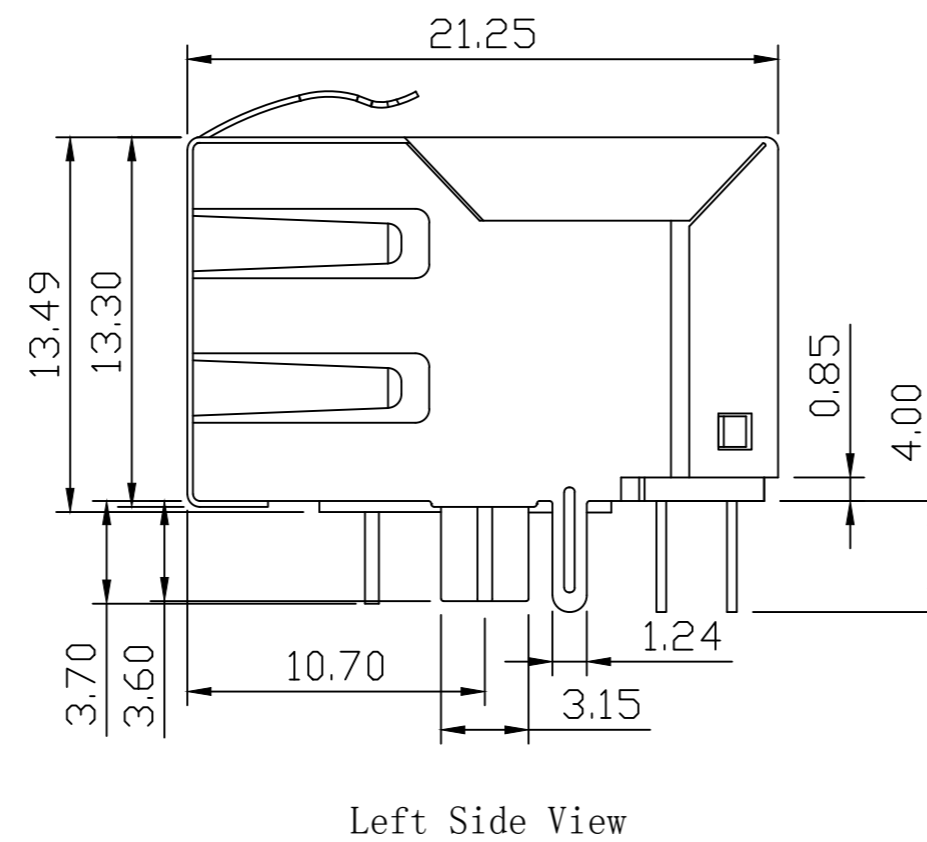
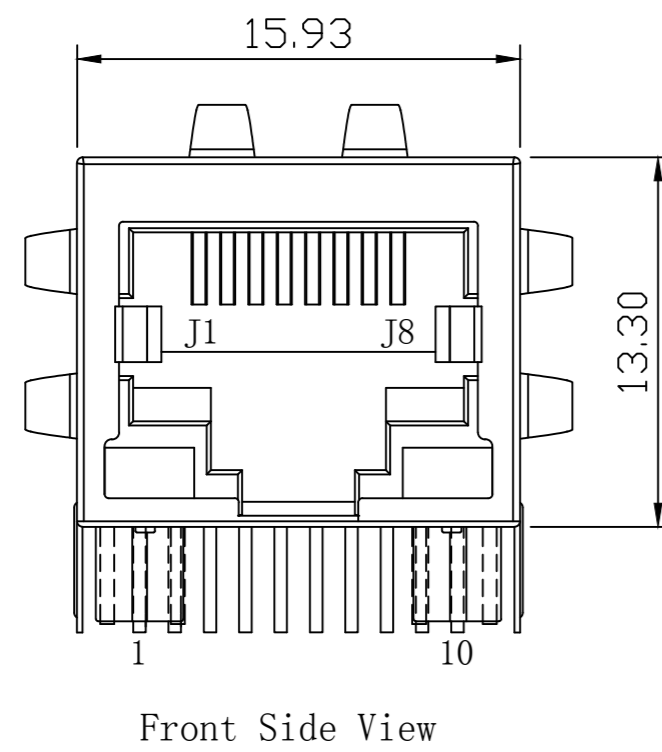
RIGHT LED



X:X ±0.30	APPD: TOM	LINK-PP INT'L TECHNOLOGY CO., LIMITED		
X:XX ±0.25	CHKD: JAMES			
X:XXX ±0.05	DR: LEO	TITLE: RJ45 Connector with 1000 Base-T Integrated Magnetics		
ANGLES ±1°	UNIT: mm	PART NO.: LPJG0906G4NL		
	SCALE: 2/1	SHEET: 1/2	REV: A	DWG NO.: LP15031807

Mechanical:

REV.	ECN NO.	DESCRIPTION	DATE	APPD
A	REL		2015-03-18	



NOTES:

1. Designed to support application, such as SOHO (ADSL modems), LAN-on-Motherboard (LOM), hub and Switches.
2. Meets IEEE802.3 specification
3. Connector Materials:
 Housing: Thermoplastic PBT+30%G.F UL94V-0
 Contact: Phosphor Bronze C5210R-EH Thickness=0.35mm
 Pins: Brass C2680R-H Thickness=0.35mm
 Shield: SUS 304-1/2H Thickness=0.2mm
 Contact plating: Gold 6 micro-inches min. In contact area.
4. Wave solder tip temperature: 250°C, 5 Sec.
5. UL Certification: File Number E484635.



X:X	±0.30	APPD:	TOM	LINK-PP INT'L TECHNOLOGY CO., LIMITED
X:XX	±0.25	CHKD:	JAMES	
X:XXX	±0.05	DR:	LEO	TITLE: RJ45 Connector with 1000 Base-T Integrated Magnetics
ANGLES	±1°	UNIT:	mm	PART NO.: LPJG0906G4NL
	SCALE:	2/1	SHEET:	2/2
	REV:	A	DWG NO.:	LP15031807