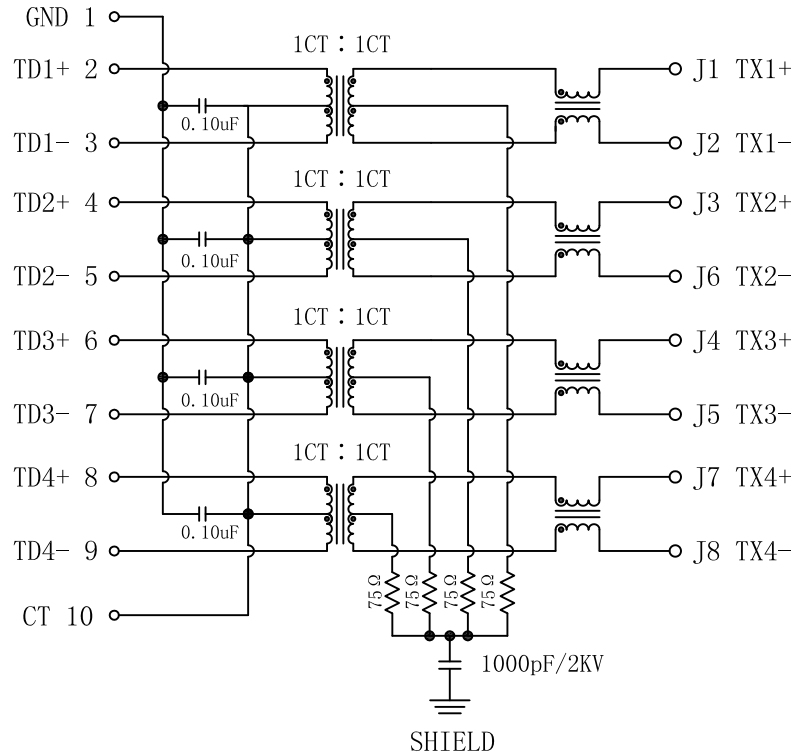


Schematic:

REV.	ECN NO.	DESCRIPTION	DATE	APPD
A	REL		2010/06/17	

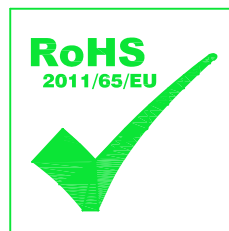
PCB CONNECTIONS



RJ45 CONNECTOR

ELECTRICAL SPECIFICATIONS @25°C

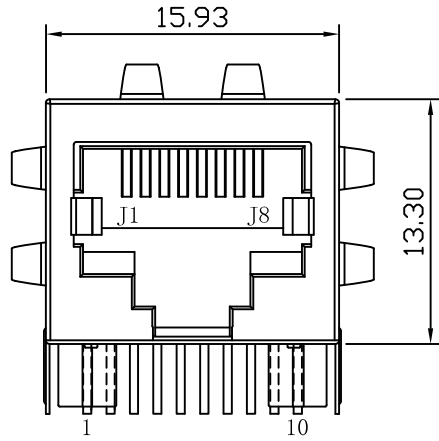
1. Turn Ratio ( $\pm 2\%$ ):  
1CT:1CT
2. Inductance OCL: 350uH MIN  
@100KHz/0.1V, 8mA DC Bias
3. Insertion Loss:  
-1.1dB MAX @ 0.1-100MHz
4. Return Loss:  
-18dB MIN @ 1-30MHz  
-12+20LOG(f/80MHz)dB MIN @ 30-100MHz
5. Cross talk:  
-35dB MIN @ 1-60MHz  
-25dB MIN @ 60-100MHz
6. Common To Common Mode Rejection:  
-35dB MIN @ 0.1-100MHz
7. Hipot Test: 1500Vrms MIN
8. Operating Temperature Range: 0°C TO 70°C



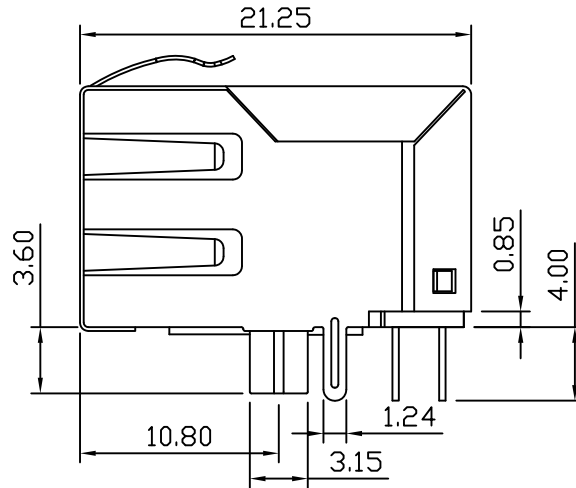
X:X	$\pm 0.25$	APPD:	LINK-PP INT'L TECHNOLOGY CO., LIMITED	
X:XX	$\pm 0.20$	CHKD:	TITLE: RJ45 Connector with 1000 Base-T Integrated Magnetics	
X:XXX	$\pm 0.05$	DR: TOM	PART NO.: LPJG0868CNL	
ANGLES	$\pm 1^\circ$	UNIT: mm	DWG NO.: LP10061712	
	SCALE: 2/1	SHEET: 1/2	REV: A	

# Mechanical:

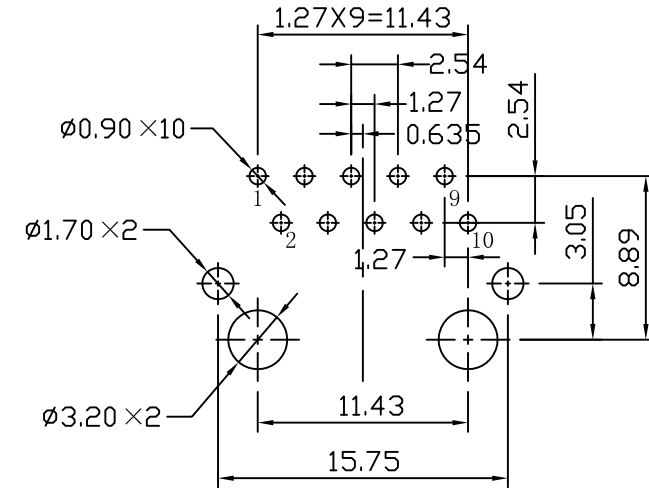
REV.	ECN NO.	DESCRIPTION	DATE	APPD
A	REL		2010/06/17	



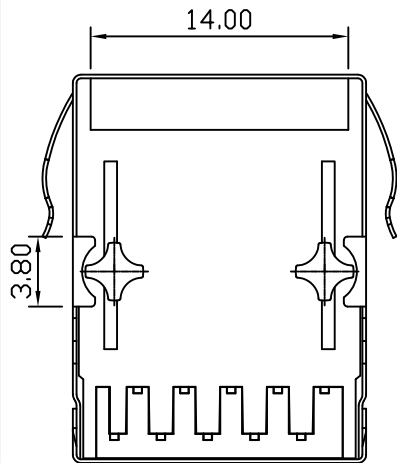
Front Side View



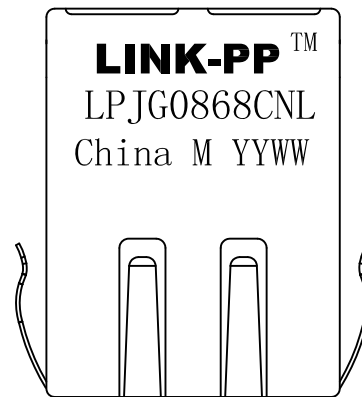
Left Side View



Suggested PCB Layout (Top View)



Bottom Side View



Top Side View

## NOTES:

1. Designed to support application, such as SOHO (ADSL modems), LAN-on-Motherboard (LOM), hub and Switches.
2. Meets IEEE802.3 specification
3. Connector Materials:  
 Housing: Thermoplastic PBT+30%G.F UL94V-0  
 Contact: Phosphor Bronze C5210R-EH Thickness=0.35mm  
 Pins: Brass C2680R-H Thickness=0.35mm  
 Shield: SUS 201-1/2H Thickness=0.2mm  
 Contact plating: Gold 6 micro-inches min. In contact area.
4. Wave solder tip temperature: 265°C Max, 5 Sec Max.

X:X	±0.25	APPD:	LINK-PP INT'L TECHNOLOGY CO., LIMITED	
X:XX	±0.20	CHKD:	TITLE: RJ45 Connector with 1000 Base-T Integrated Magnetics	
X:XXX	±0.05	DR: TOM	PART NO.: LPJG0868CNL	
ANGLES	±1°	UNIT: mm	DWG NO.: LP10061712	
	SCALE: 2/1	SHEET: 2/2	REV: A	