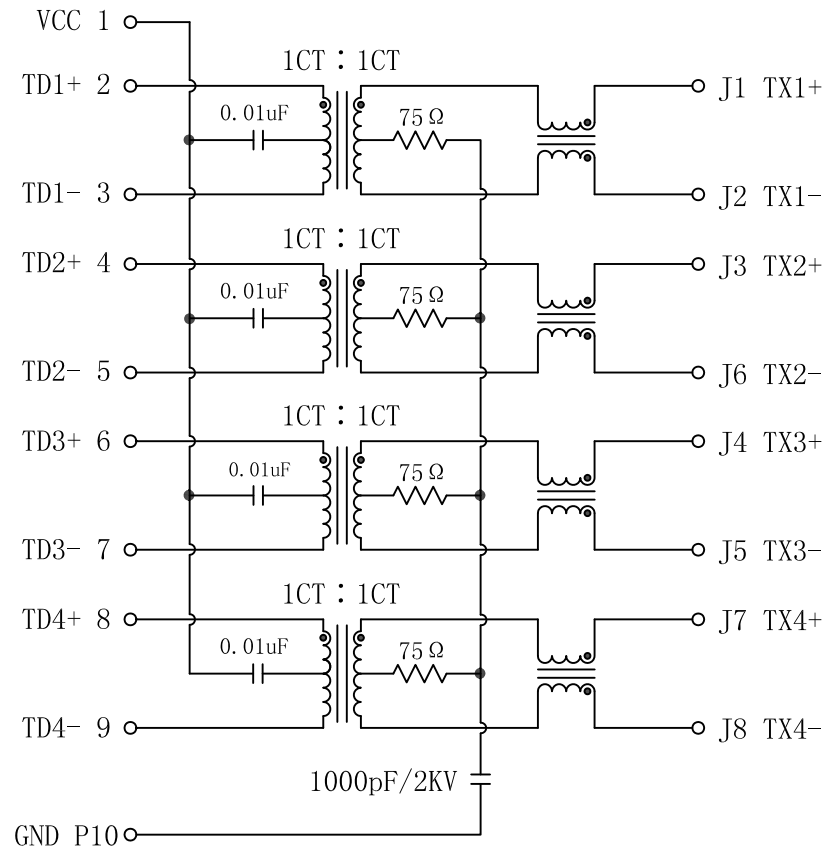


Schematic:

REV.	ECN NO.	DESCRIPTION	DATE	APPD
A	REL		2014-07-21	

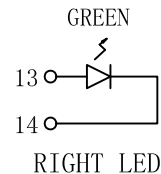
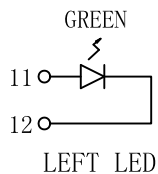
PC BOARD CONNECTIONS



RJ45 CONNECTOR

ELECTRICAL SPECIFICATIONS @25°C

- Turn Ratio( $\pm 2\%$ ):  
Pri : Sec = 1CT : 1CT
- Inductance OCL: 350uH Min  
@100KHz, 0.1V, 8mA DC Bias
- Insertion Loss:  
-0.5dB Max @1~65MHz  
-0.8dB Max @65~100MHz  
-1.2dB Max @100~125MHz
- Return Loss:  
-16dB Min. (Load 100  $\Omega$ ) @1~30MHz  
-13.5dB Min. (Load 100  $\Omega$ ) @30~40MHz  
-11.5dB Min. (Load 100  $\Omega$ ) @40~50MHz  
-10dB Min. (Load 100  $\Omega$ ) @60~80MHz
- Cross talk:  
-30dB MIN @1~100MHz
- Common Mode Rejection:  
-30dB MIN @1~100MHz
- Hipot Test: 1500Vrms MIN
- Operating Temperature: 0°C~70°C.

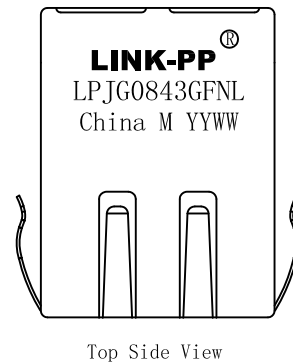
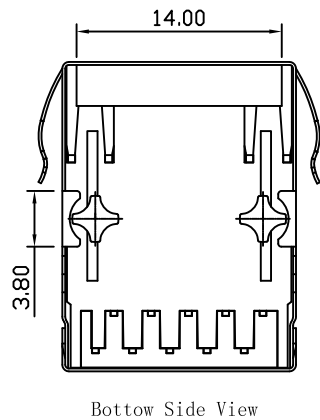
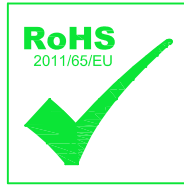
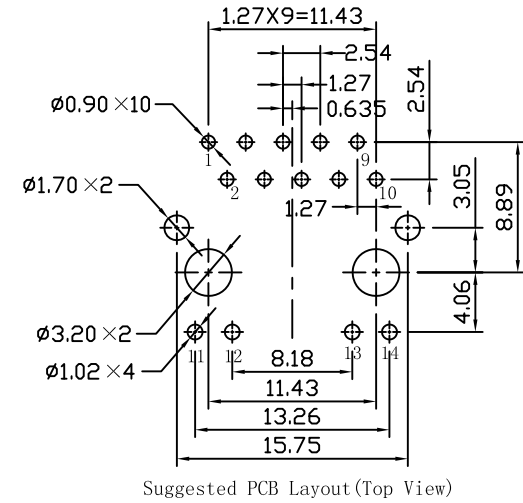
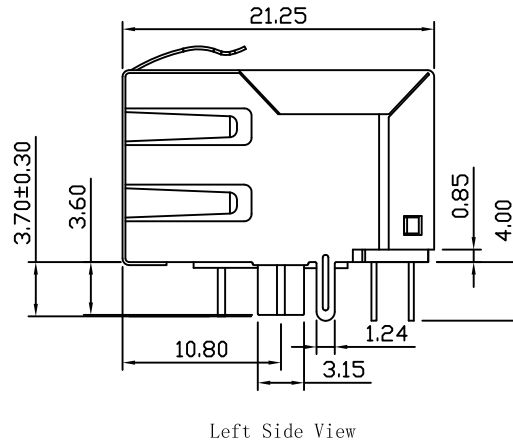
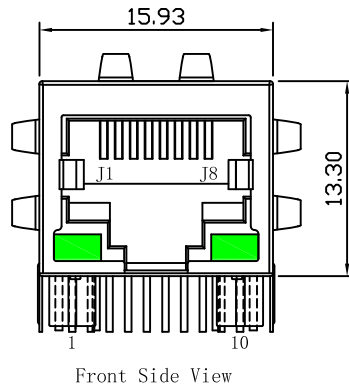


Emitting Color	$\lambda_p$ (nm)	V <sub>F</sub> @I <sub>F</sub> =20mA	I <sub>R</sub> @V <sub>R</sub> =5V
GREEN	565	1.8~2.6V	10 $\mu$ A max

X:X $\pm 0.30$	APPD:	LINK-PP INT'L TECHNOLOGY CO., LIMITED
X:XX $\pm 0.25$	CHKD:	
X:XXX $\pm 0.05$	DR: TOM	TITLE: RJ45 Connector with 1000 Base-T Integrated Magnetics
ANGLES $\pm 1^\circ$	UNIT: mm	PART NO.: LPJG0843GFNL
	SCALE: 2/1	SHEET: 1/2
	REV: A	DWG NO.: LP14072140

# Mechanical:

REV.	ECN NO.	DESCRIPTION	DATE	APPD
A	REL		2014-07-21	



## NOTES:

1. Designed to support application, such as SOHO (ADSL modems), LAN-on-Motherboard (LOM), hub and Switches.
2. Meets IEEE802.3 specification
3. Connector Materials:  
 Housing: Thermoplastic PBT+30%G.F UL94V-0  
 Contact: Phosphor Bronze C5210R-EH Thickness=0.35mm  
 Pins: Brass C2680R-H Thickness=0.35mm  
 Shield: SUS 201-1/2H Thickness=0.2mm  
 Contact plating: Gold 6 micro-inches min. In contact area.
4. Wave solder tip temperature: 250°C, 5 Sec.
5. UL Certification: File Number E484635.

X:X ±0.30	APPD:	LINK-PP INT'L TECHNOLOGY CO., LIMITED
X:XX ±0.25	CHKD:	
X:XXX ±0.05	DR: TOM	TITLE: RJ45 Connector with 1000 Base-T Integrated Magnetics
ANGLES ±1°	UNIT: mm	PART NO.: LPJG0843GENL
	SCALE: 2/1	SHEET: 2/2
	REV: A	DWG NO.: LP14072140