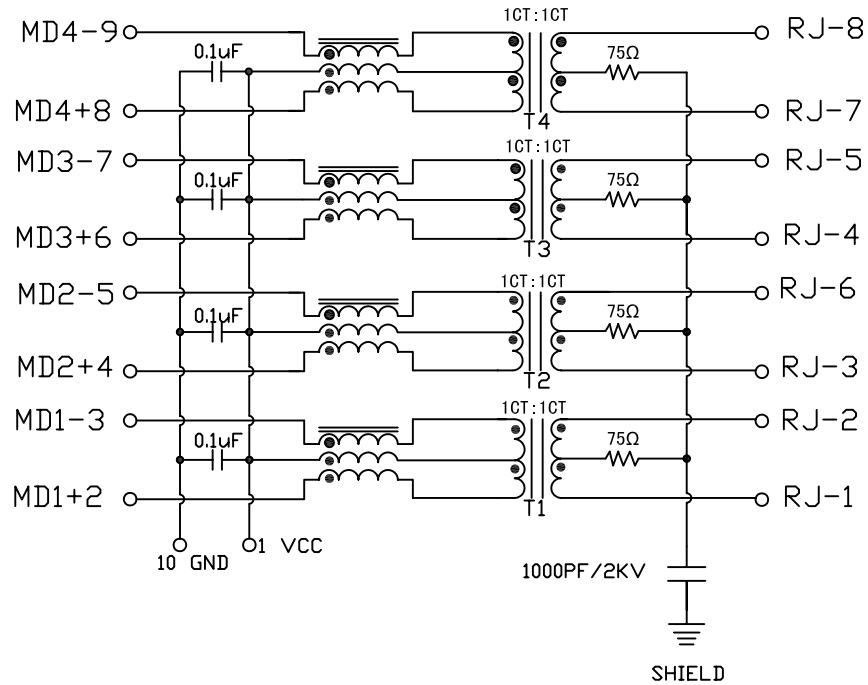


Schematic:

REV.	ECN NO.	DESCRIPTION	DATE	APPD
A	REL		17/12/2009	

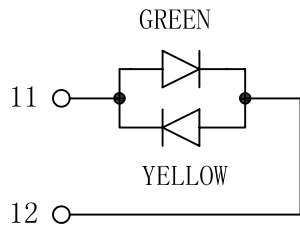
PC BOARD CONNECTIONS



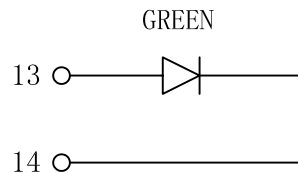
RJ45 CONNECTOR

ELECTRICAL SPECIFICATIONS @25°C

- Turn Ratio($\pm 2\%$): 1CT:1CT
- Inductance OCL: 350uH MIN
@100KHz/0.1V, 8mA DC Bias
- Insertion Loss:
-1.0dB MAX @ 0.3-100MHz
-1.5dB MAX @100-125MHz
- Return Loss:
-15dB MIN @ 40MHz
-13.1dB MIN @ 50MHz
-12dB MIN @ 60-80MHz
-10dB MIN @ 100MHz
- Cross talk:
-45dB MIN @ 30MHz
-40dB MIN @ 60MHz
-35dB MIN @ 100MHz
- Common Mode Rejection:
-43dB MIN @ 30MHz
-37dB MIN @ 80MHz
-33dB MIN @ 100MHz
- CMRR: -30dB Min @1-100MHz
- Hipot Test: 1500Vrms MIN
- Operating Temperature Range: 0°C TO 70°C



LEFT LED



RIGHT LED

X:X ±0.30	APPD:	LINK-PP INT'L TECHNOLOGY CO., LIMITED		
X:XX ±0.20	CHKD:			
X:XXX ±0.05	DR: TOM	TITLE: RJ45 Connector with 1000 Base-T Integrated Magnetics		
ANGLES ±1°	UNIT: mm	PART NO.: LPJG0811G7NL		
	SCALE: 2/1	SHEET: 1/2	REV: A	DWG NO.: LP09121705

