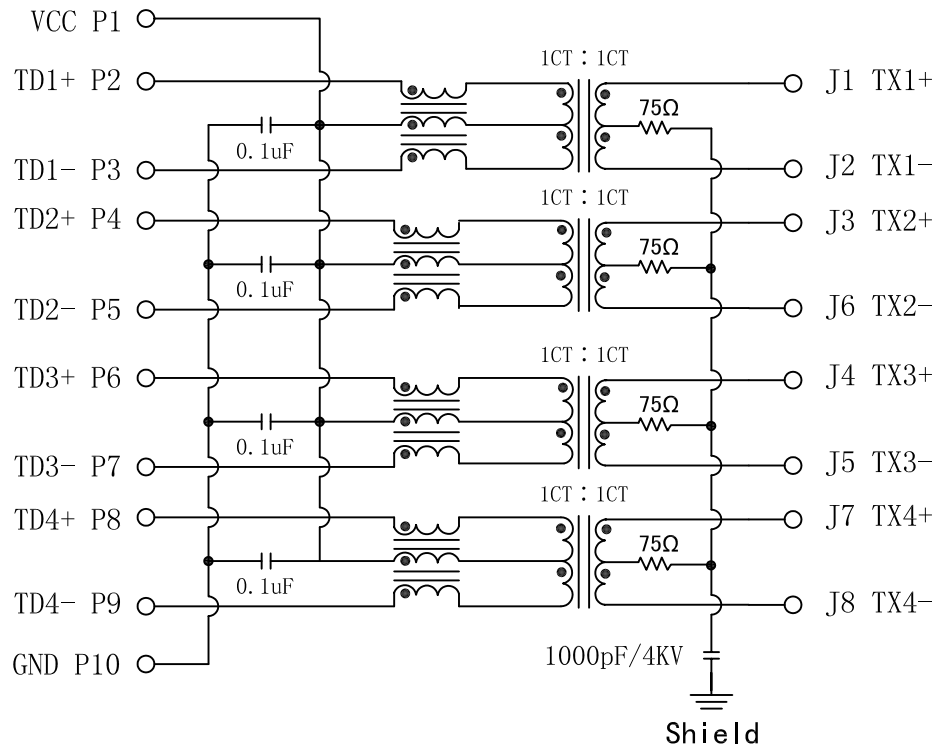


Schematic:

REV.	ECN NO.	DESCRIPTION	DATE	APPD
A	REL		2013/03/19	

PCB CONNECTIONS



RJ45 CONNECTOR

ELECTRICAL SPECIFICATIONS @25°C

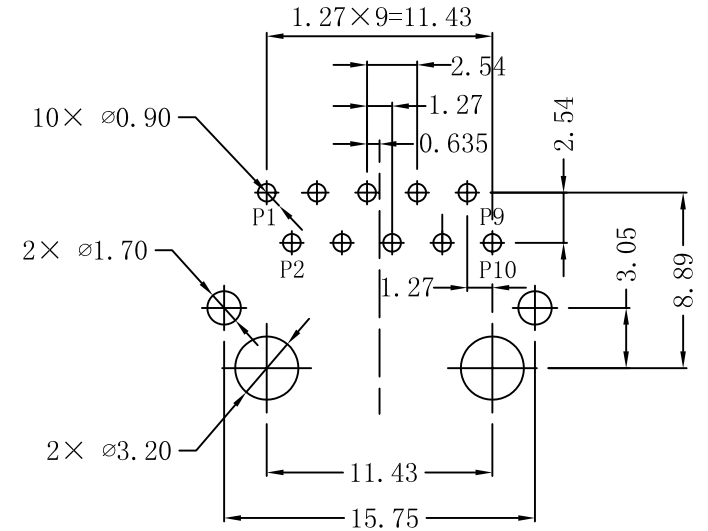
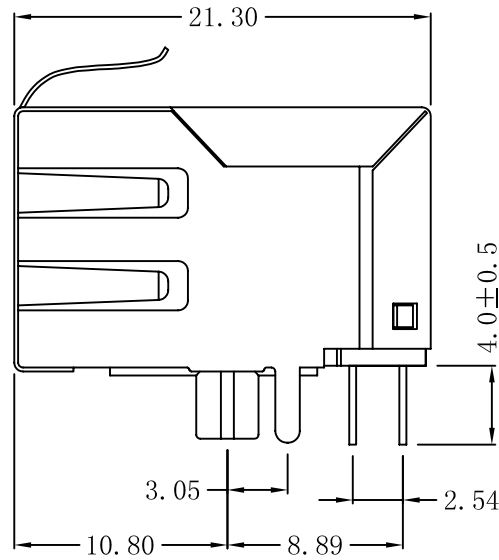
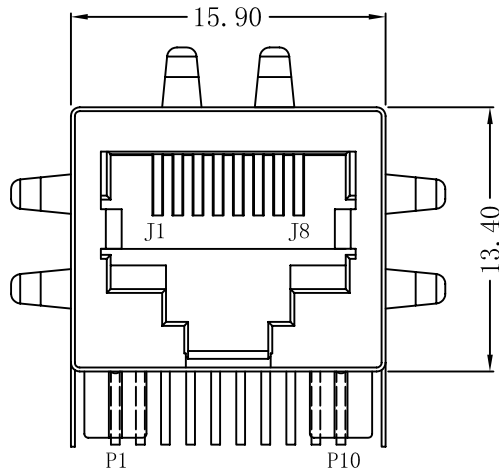
- Turn Ratio ($\pm 3\%$): 1CT:1CT
- OCL: 350uH MIN
@100KHz/0.1V, 8mA DC Bias
- Insertion Loss:
-1.0dB MAX @ 0.1-100MHz
-1.2dB MAX @ 100-125MHz
- Return Loss:
-18dB MIN @ 0.5-40MHz
-[12-20LOG(f/80MHz)]dB MIN @ 40-100MHz
- Cross talk:
-[33-20LOG(f/50MHz)]dB MIN @ 0.1-100MHz
- CMRR:
-32dB MIN @ 0.1MHz-100MHz
- Hipot: 1500Vrms MIN
- Operating Temperature Range: 0°C TO +70°C.



X:X	±0.20	APPD:	LINK-PP INT'L TECHNOLOGY CO., LIMITED	
X:XX	±0.10	CHKD:	TITEL: RJ45 Connector With 1000 Base-TX Integrated Magnetic	
X:XXX	±0.05	DR: TOM	PART NO.: LPJG0811-1CNL	
ANGLES	±1°	UNIT: mm		
	SCALE: 2/1	SHEET: 1/2	REV: A	DWG NO.: LP13031905

Mechanical :

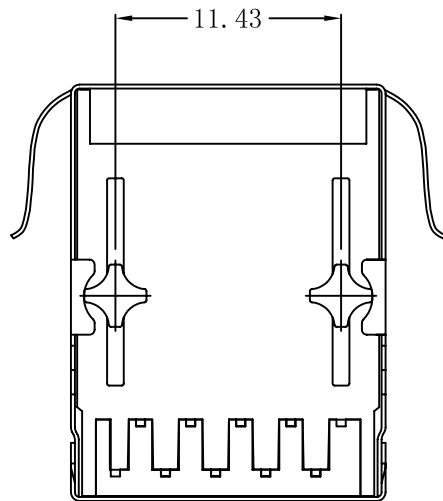
REV.	ECN NO.	DESCRIPTION	DATE	APPD
A	REL		2013/03/19	



SUGGESTED PCB LAYOUT(TOP VIEW)

NOTES:

1. Designed to support application, such as SOHO (ADSL modems), LAN-on-Motherboard (LOM), hub and Switches.
2. Meets IEEE 802.3 specification
3. Connector Materials:
 Housing: Thermoplastic UL94V-0
 Contact/Shield: Copper alloy
 Shield plating: Nickel
 Contact plating: Gold 6 micro-inches min. In contact area.
4. Wave solder tip temperature: 265°C Max
 Wave solder tip temperature time: 5 Sec Max



X:X	±0.20	APPD:	LINK-PP INT'L TECHNOLOGY CO., LIMITED
X:XX	±0.10	CHKD:	TITEL: RJ45 Connector With 1000 Base-TX Integrated Magnetic
X:XXX	±0.05	DR: TOM	PART NO.: LPJG0811-1CNL
ANGLES	±1°	UNIT: mm	
	SCALE: 2/1	SHEET: 2/2	REV: A DWG NO.: LP13031905