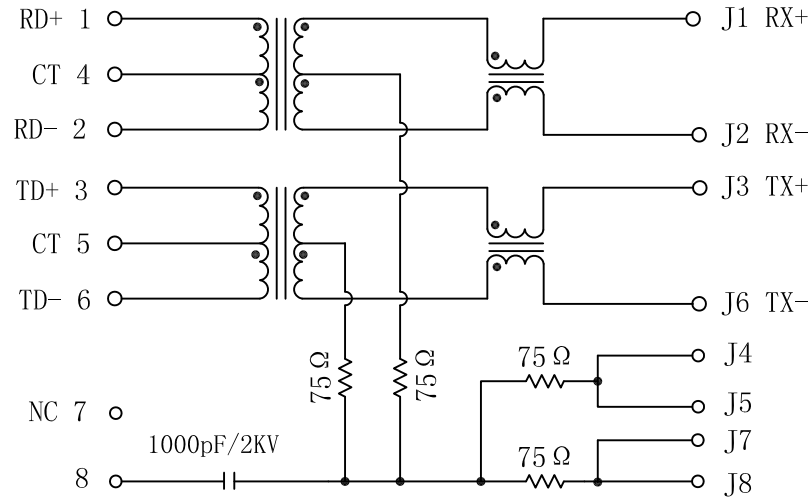


Schematic:

REV.	ECN NO.	DESCRIPTION	DATE	APPD
A	REL		2008/07/02	

PCB CONNECTIONS



RJ45 CONNECTOR

Electrical Specification @25°C

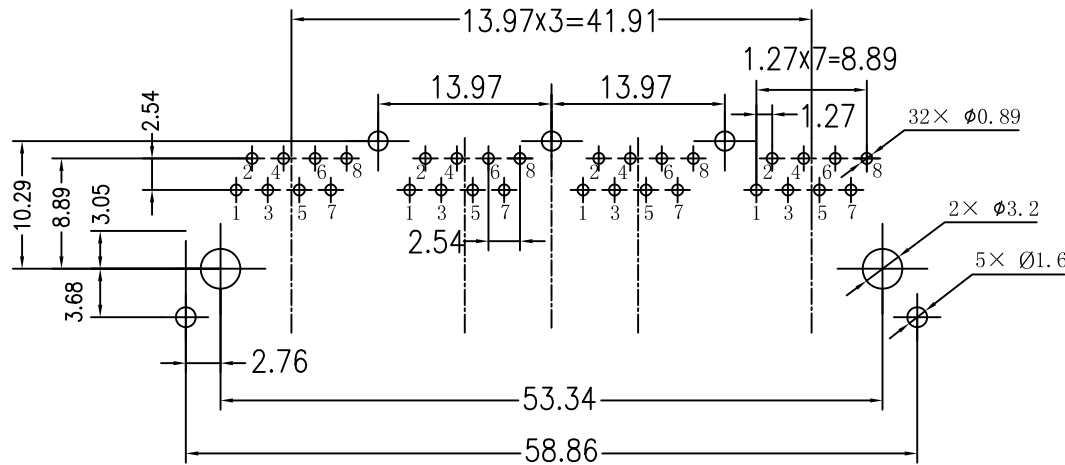
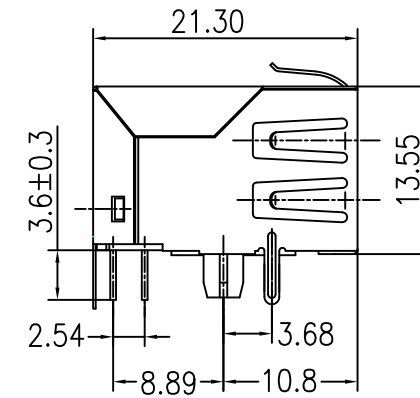
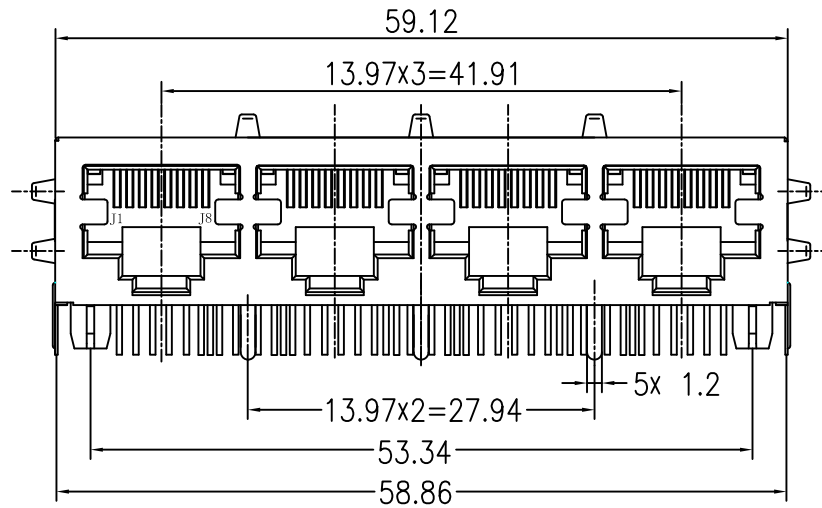
- Turns Ratio ($\pm 2\%$) :
TX=1CT:1CT RX=1CT:1CT
- OCL: 350uH Min
@100KHz, 0.1V, 8mA DC Bias
- Insertion Loss:
1~100MHz:-1.0dB Max
- Return Loss(dB Min) :
1~30MHz:-16 30~60MHz:-12
60~80MHz:-10
- Crosstalk(dB Min) :
1~30MHz:-40 30~60MHz:-35
60~100MHz:-30
- CMR(dB Min) :
1~50MHz:-40 50~150MHz:-30
- Hipot: 1500V AC 6S 1mA
- Operating Temperature: 0°C~70°C.



X:X	± 0.30	APPD:	LINK-PP INT'L TECHNOLOGY CO., LIMITED	
X:XX	± 0.25	CHKD:	RJ45 Connector With 10/100 Base-TX Integrated Magnetic	
X:XXX	± 0.05	DR: TOM		
ANGLES	$\pm 1^\circ$	UNIT: mm	PART NO. :	LPJF46204CNL
	SCALE: 2/1	SHEET: 1/2	REV: A	DWG: LP08070209

Mechanical :

REV.	ECN NO.	DESCRIPTION	DATE	APPD
A	REL		2008/07/02	



SUGGESTED PCB LAYOUT (TOP VIEW)

NOTES:

1. Designed to support application, such as SOHO (ADSL modems), LAN-on-Motherboard (LOM), hub and Switches.
2. Meets IEEE 802.3 specification
3. Connector Materials:
 Housing: Thermoplastic UL94V-0
 Contact/Shield: Copper alloy
 Shield plating: Nickel
 Contact plating: Gold 6 micro-inches min. In contact area.
4. Wave peak temperature: 260°C, 5Sec.



X:X	±0.30	APPD:	LINK-PP INT'L TECHNOLOGY CO., LIMITED	
X:XX	±0.25	CHKD:	TITLE: RJ45 Connector With 10/100 Base-TX Integrated Magnetic	
X:XXX	±0.05	DR: TOM	PART NO.: LPJF46204CNL	
ANGLES	±1°	UNIT: mm		
	SCALE: 2/1	SHEET: 2/2	REV: A	DWG: LP08070209