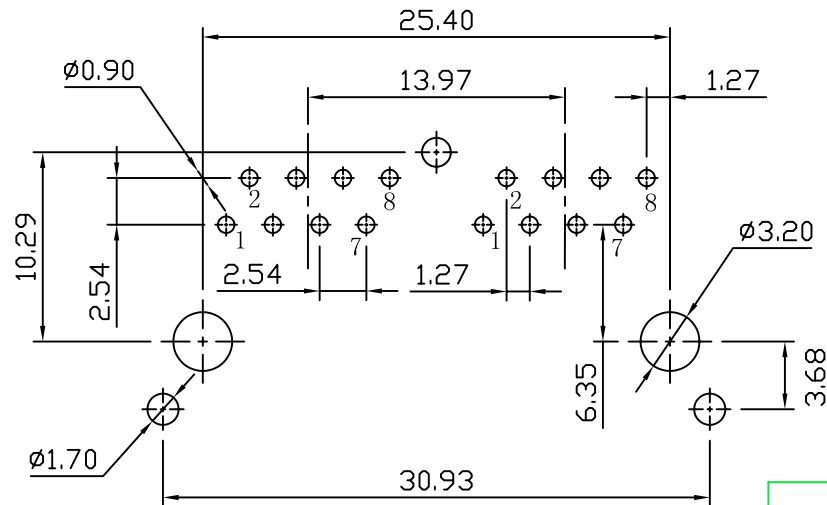
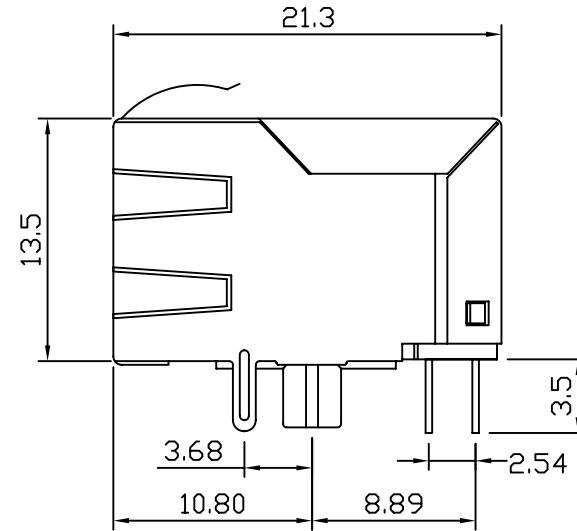
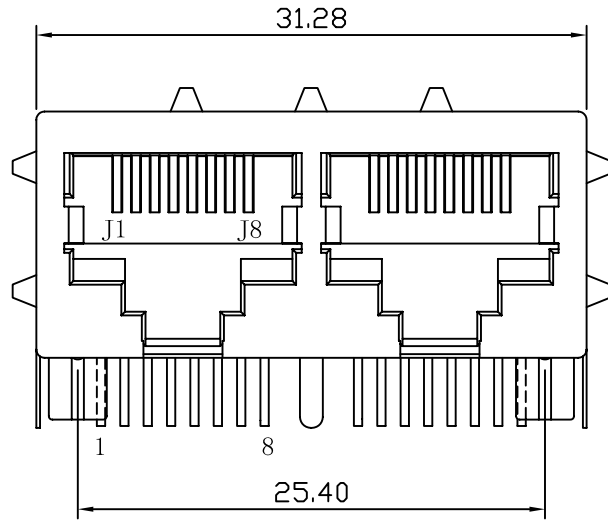


Mechanical:

REV.	ECN NO.	DESCRIPTION	DATE	APPD
A	REL		21/03/2009	



SUGGESTED PCB LAYOUT (TOP VIEW)



NOTES:

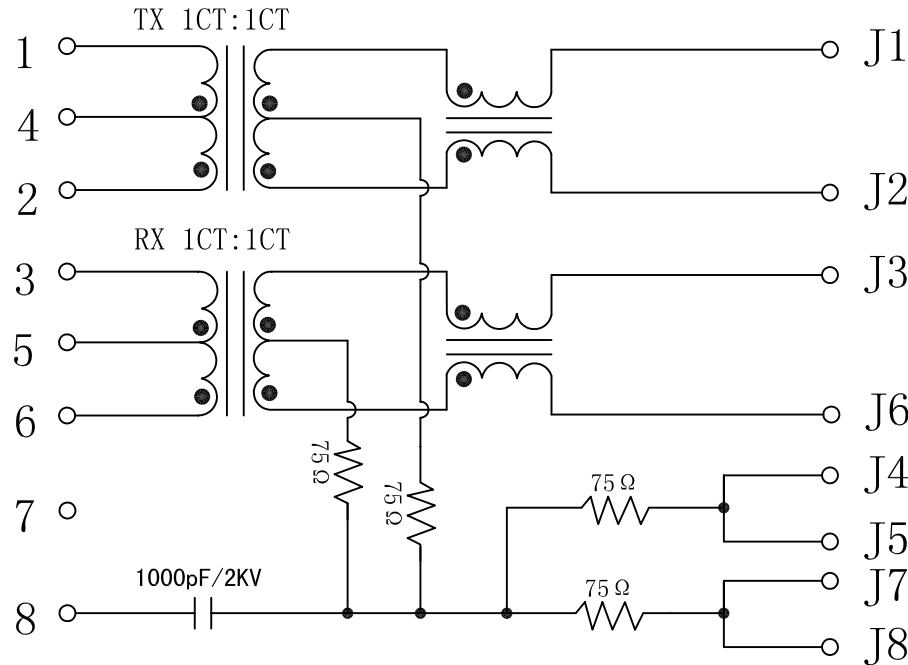
1. Designed to support application, such as SOHO (ADSL modems), LAN-on-Motherboard (LOM), hub and Switches.
2. Meets IEEE 802.3 specification
3. Connector Materials:  
Housing: Thermoplastic UL94V-0  
Contact/Shield: Copper alloy  
Shield plating: Nickel  
Contact plating: Gold 6 micro-inches min. In contact area.
4. Wave solder tip temperature: 265°C Max  
Wave solder tip temperature time: 5 Sec Max

X:X	$\pm 0.25$	APPD:	LINK-PP INT'L TECHNOLOGY CO., LIMITED	
X:XX	$\pm 0.20$	CHKD:	TITLE: RJ45 Connector with 10/100 Base-T Integrated Magnetics	
X:XXX	$\pm 0.05$	DR: TOM	PART NO.: LPJF26204CNL	
ANGLES	$\pm 1^\circ$	UNIT: mm	DWG NO.: TRC09032101	
	SCALE: 2/1	SHEET: 1/2	REV: A	

Schematic:

REV.	ECN NO.	DESCRIPTION	DATE	APPD
A	REL		21/03/2009	

PC BOARD CONNECTIONS



RJ45 CONNECTOR

Electrical Specifications: @25°C

- Turns Ratio ( $\pm 2\%$ ) :  
TX=1CT:1CT      RX=1CT:1CT
- Return Loss (dB Min) :  
1-10MHz:-18      30MHz:-16  
60-100MHz:-12
- Crosstalk:  
1-100MHz:-30dB Min
- Insertion Loss:  
1-100MHz:-1.2dB Max
- CMR:  
1-50MHz:-30dB Min  
50-130MHz:-20dB Min
- 350uH min OCL with 8mA bias current.
- Isolation Voltage:1500V
- Operating Temperature:0-70°C



X:X	$\pm 0.25$	APPD:	LINK-PP INT'L TECHNOLOGY CO., LIMITED	
X:XX	$\pm 0.20$	CHKD:	TITLE: RJ45 Connector with 10/100 Base-T Integrated Magnetics	
X:XXX	$\pm 0.05$	DR: TOM	PART NO. : LPJF26204CNL	
ANGLES	$\pm 1^\circ$	UNIT: mm	DWG NO. : TRC09032101	
	SCALE: 2/1	SHEET: 2/2	REV: A	