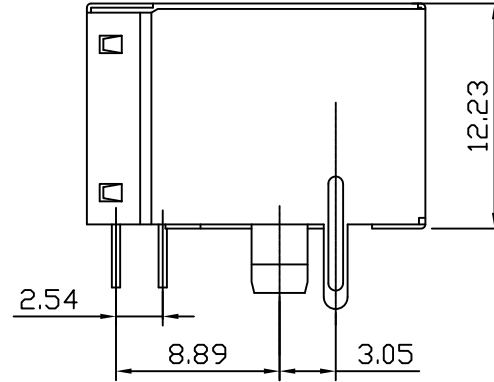
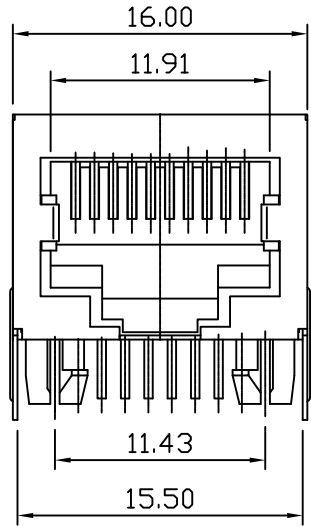


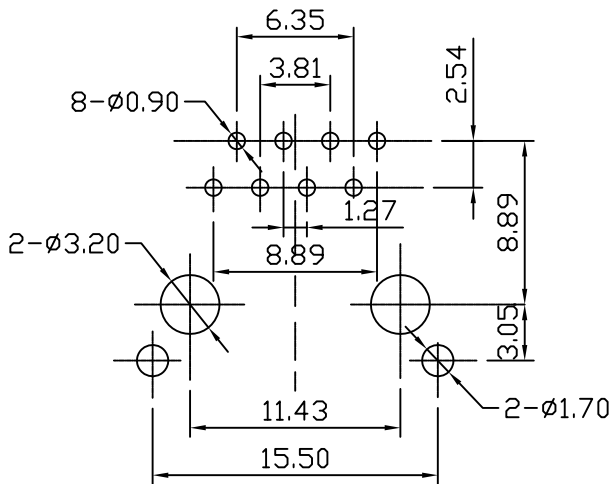
Mechanical:

REV.	ECN NO.	DESCRIPTION	DATE	APPD
A	REL		10/05/2009	

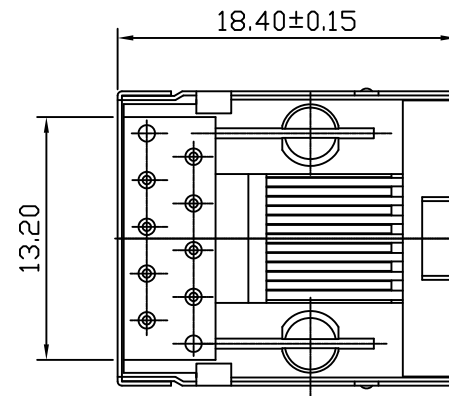


PCB JACK Specification:

1. Insulation Resistance: 500M Ω MIN @ 500 VDC
2. Withstanding Voltage: AC1000V 50Hz or 60Hz 1min.
3. Durability: 600 Mating Circles MIN.
4. Operating Temperature: -40°C ~ +85°C.



PC Board Layout (Top View)



LPJEF180XDNL

Gold Plating	"X"
Gold Flash	0
1.5u"	1
3u"	2
6u"	3
15u"	4
30u"	5
50u"	6



X:X ±0.30	APPD:	LINK-PP INT'L TECHNOLOGY CO., LIMITED
X:XX ±0.25	CHKD:	
X:XXX ±0.05	DR: TOM	TITLE: RJ45 1×1 CONNECTOR
ANGLES ±1°	UNIT: mm	PART NO.: LPJEF180XDNL
	SCALE: 2/1	SHEET: 1/1
	REV: A	DWG NO.: LP09051025