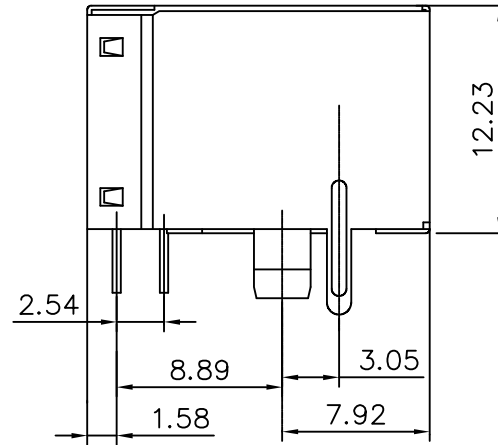
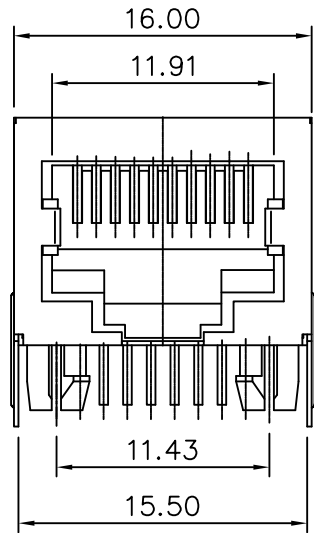


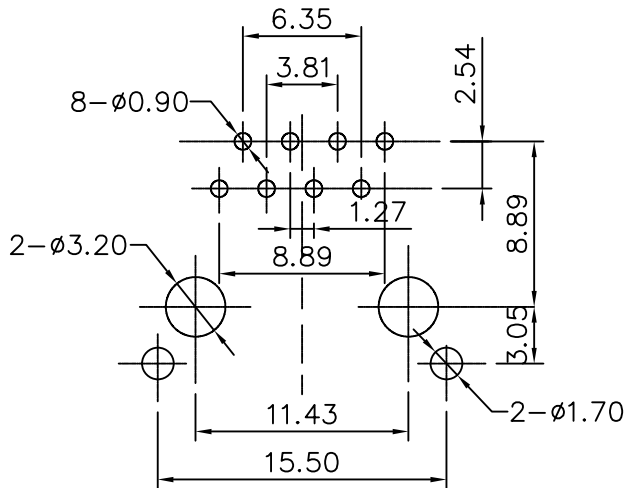
# Mechanical:

REV.	ECN NO.	DESCRIPTION	DATE	APPD
A	REL		2011/08/29	

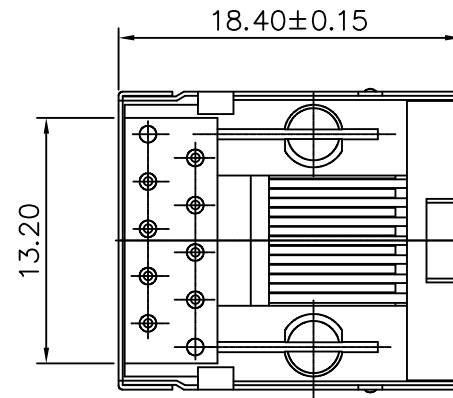


## PCB JACK Specification:

1. Insulation Resistance: 500MΩ MIN @ 500 VDC
2. Withstanding Voltage: AC1000V 50Hz or 60Hz 1min.
3. Durability: 600 Mating Circles MIN.
4. Operating Temperature: -40°C ~ +85°C.
5. UL Recognized: E484635



PC Board Layout (Top View)



## LPJEF180XDNL

Gold Plating	"X"
1.5u"	1
3u"	2
6u"	3
15u"	4
30u"	5
50u"	6



X:X ± 0.25	APPD:	LINK-PP INT'L TECHNOLOGY CO., LIMITED
X:XX ± 0.10	CHKD:	
X:XXX ± 0.05	DR: TOM	TITLE: RJ45 1×1 CONNECTOR. FRONT PEG 3.05mm
ANGLES ± 1°	UNIT: mm	PART NO. : LPJEF1802DNL
	SCALE: 2/1	SHEET: 1/1
	REV: A	DWG NO. : LP09051229A