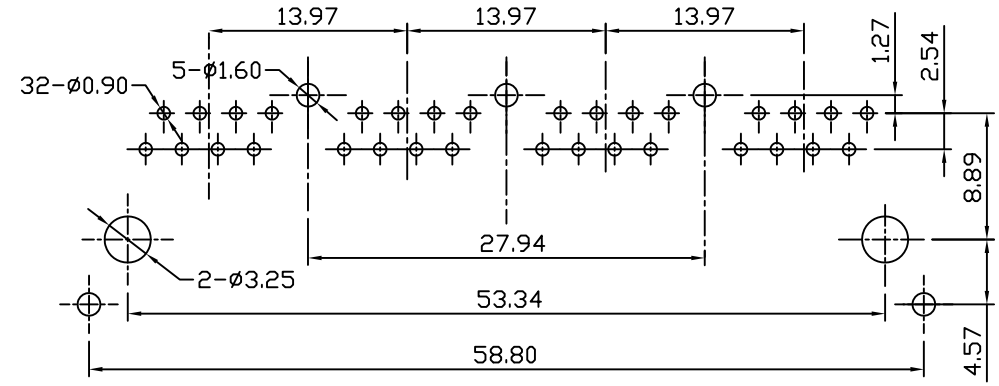
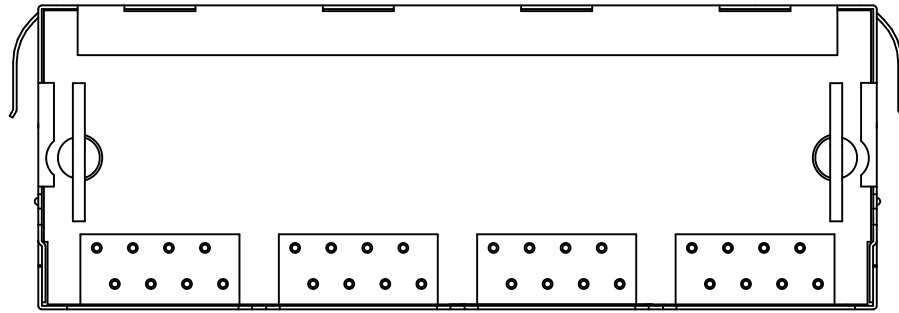
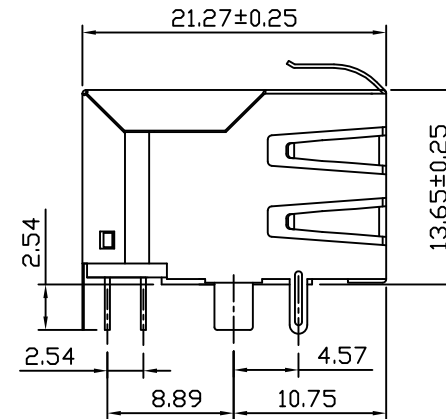
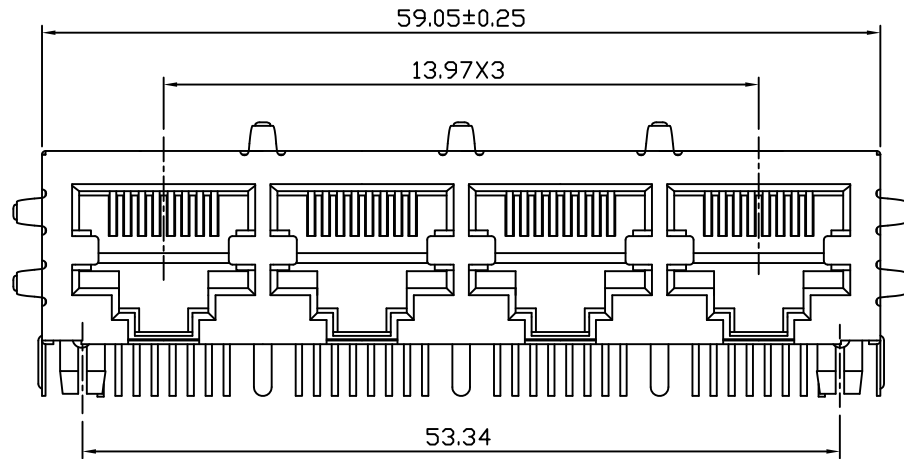


Mechanical:

REV.	ECN NO.	DESCRIPTION	DATE	APPD
A	REL		23/03/2008	



PC Board Layout



PCB JACK Specification

1. Insulation Resistance: 500MΩ MIN @ 500 VDC
2. Withstanding Voltage: AC1000V 50Hz or 60Hz 1min.
3. Durability: 600 Mating Circles MIN.
4. Gold Plating: (Gold Flash; 1.5; 3; 6; 15; 30; 50) u" inch

X:X ±0.30	APPD:	LINK-PP INT'L TECHNOLOGY CO., LIMITED
X:XX ±0.25	CHKD:	
X:XXX ±0.10	DR: TOM	TITLE: RJ45 1×4 CONNECTOR 脚前4.57mm
ANGLES ±1°	UNIT: mm	PART NO.: LPJEF104CNL
	SCALE: 2/1	SHEET: 1/1
	REV: A	DWG NO.: LP08032310