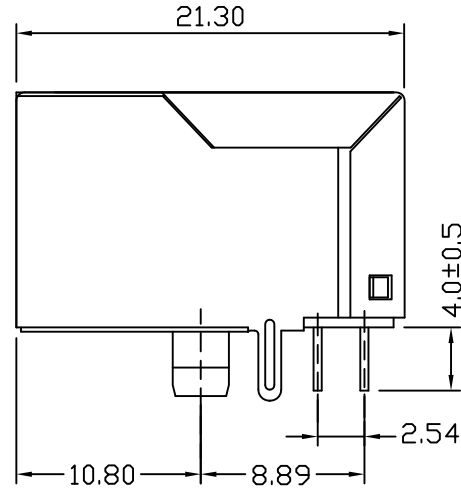
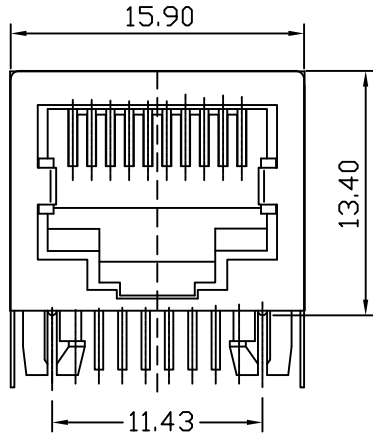


Mechanical:

REV.	ECN NO.	DESCRIPTION	DATE	APPD
A	REL		2013/09/25	

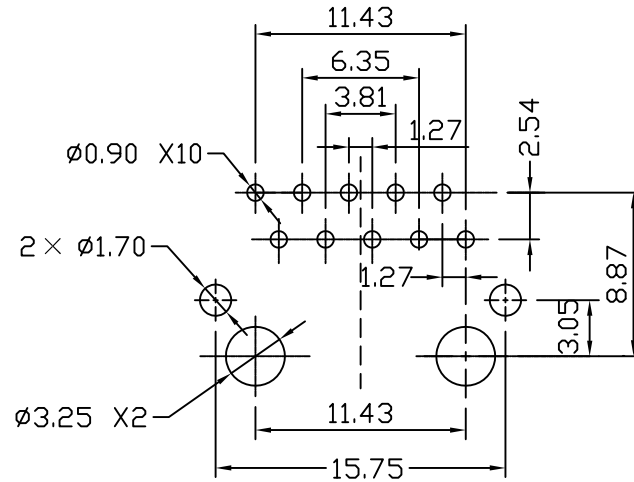
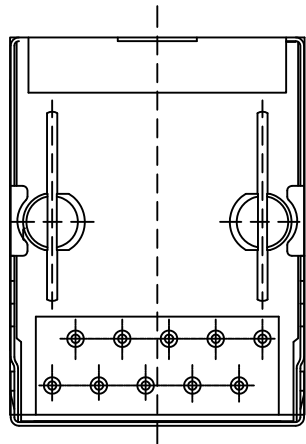


MATERIAL :

- 1. INSULATOR BODY : THERMOPLASTIC UL94V-0
- 2. CONTACT : 6U" GOLD PLATING
- 3. SPRING WIRE :  $\phi 0.45$ mm PHOSPHORBRONZE, GOLD PLATING OVER NICKEL

ELECTRICAL DATA:

- 1. RATED CURRENT : 1.5A
- 2. VOLTAGE RATING : 125VAC MAX
- 3. CONTACT RESISTANCE : 30M  $\Omega$  MAX
- 4. INSULATION RESISTANCE : 500M  $\Omega$  MIN
- 5. WITHSTANDING VOLTAGE : 1000V AC FOR 1min.
- 6. (1)Storage: -40°C to +85°C
- (2)Operation: -40°C to +85°C
- (3)Wave solder temperature: 230°C to 250°C, 5~10 Sec.



PC Board Layout (Top View)



X:X	$\pm 0.30$	APPD:	LINK-PP INT'L TECHNOLOGY CO., LIMITED	
X:XX	$\pm 0.25$	CHKD:	TITLE: RJ45 1×1 CONNECTOR (10P 10C)	
X:XXX	$\pm 0.05$	DR: TOM	PART NO. : LPJE900DNL	
ANGLES	$\pm 1^\circ$	UNIT: mm	DWG NO. : LP13092511	
	SCALE: 2/1	SHEET: 1/1	REV: A	