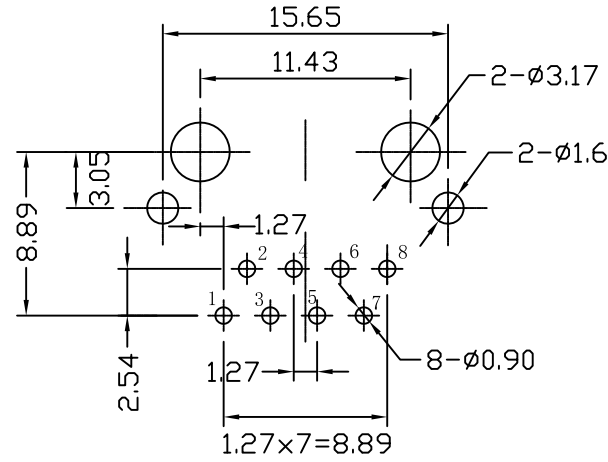
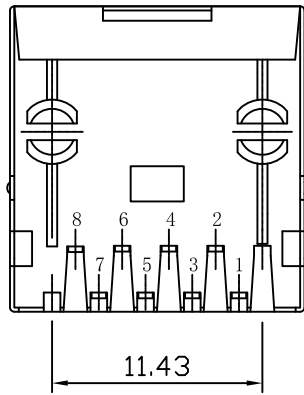
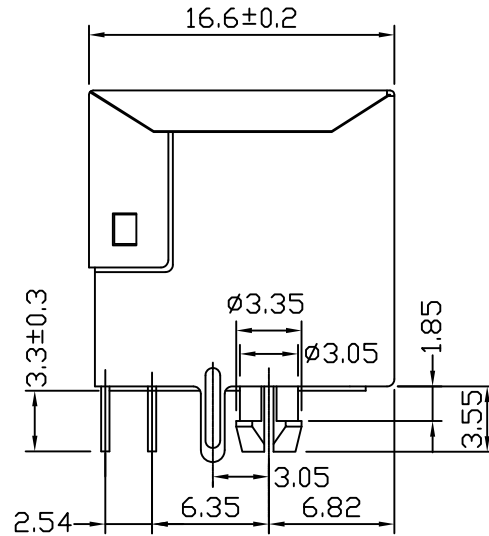
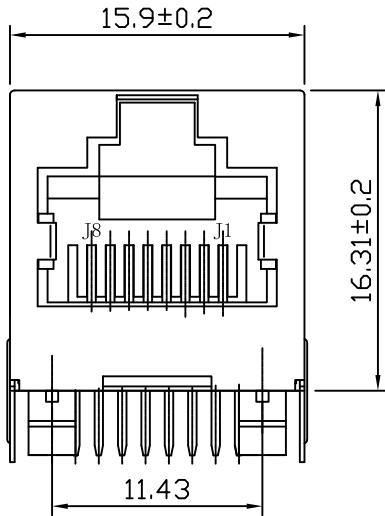


# Mechanical:

REV.	ECN NO.	DESCRIPTION	DATE	APPD
A	REL		2012/12/10	



PC Board Layout (Top View)



- NOTES:
- MATERIAL:
- |                     |   |
|---------------------|---|
| 1. HOUSING MATERIAL | : PBT UL94V-0.  |
| 2. CONTACT MATERIAL | : PHOSPHOR BRONZE T=0.3mm.  |
| 3. PLATING          | : 1. CONTACT AREA-SELECTIVE GOLD PLATING.<br>2. TAILS PLATING TIN OVER NICKEL |
| 4. SHIELD           | : 0.20-0.25mm THICKNESS BRASS WITH NICKEL PLATED NICKEL PLATED.               |
- ELECTRICAL:
- |                          |                              |
|--------------------------|------------------------------|
| 1. VOLTAGE RATING        | : 125VAC RMS.                |
| 2. CURRENT RATING        | : 1.5AMP.                    |
| 3. CONTACT RESISTANCE    | : 30 MILLIOHMS MAX.          |
| 4. INSULATION RESISTANCE | : 500MEG OHMS MIN @ 500V DC. |
| 5. DIELECTRIC STRENGTH   | : 1000V AC RMS 50Hz. 1MIN.   |
- MECHANICAL:
- |                   |                   |
|-------------------|-------------------|
| 1. OPERATING LIFE | : 750 Cycles Min. |
|-------------------|-------------------|
- ENVIRONMENTAL:
- |              |                   |
|--------------|-------------------|
| 1. STORAGE   | : -40°C TO +85°C. |
| 2. OPERATION | : -40°C TO +85°C. |



X:X	±0.25	APPD:	LINK-PP INT'L TECHNOLOGY CO., LIMITED	
X:XX	±0.20	CHKD:	TITLE: RJ45 1X1 CONNECTOR 8P8C CAT6	
X:XXX	±0.10	DR: TOM	PART NO.: LPJE812DNL	
ANGLES	±1°	UNIT: mm		
	SCALE: 2/1	SHEET: 1/1	REV: A	DWG NO.: LP12121021