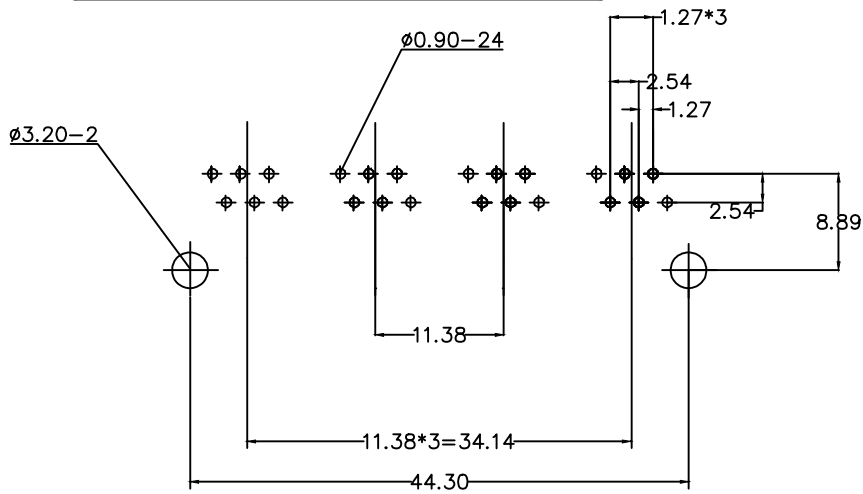
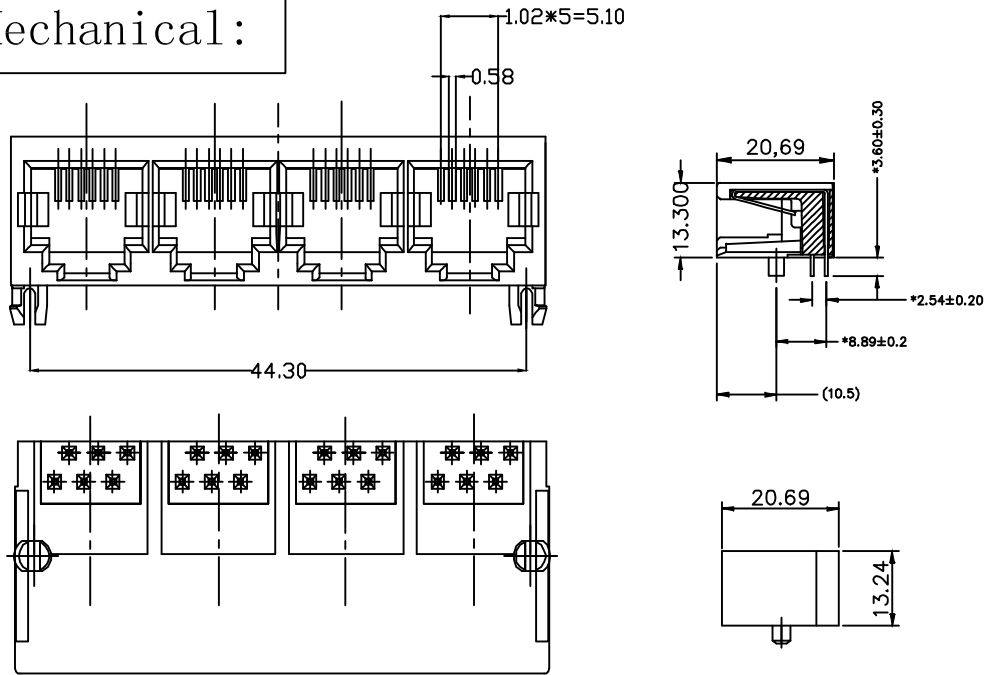
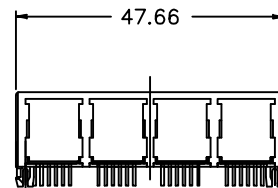


Mechanical:



PC BOARD LAYOUT T=1.60mm
COMPONENT SIDE SHOWN
Tolerances±0.05mm



REV.	ECN NO.	DESCRIPTION	DATE	APPD
A	REL		2017/08/11	

NOTES:

ELECTRICAL:

- VOLTAGE RATING : 125 VAC RMS.
- CURRENT RATING : 1.5 AMP.
- CONTACT RESISTANCE 50 MILLIOHMS MAX.
- INSULATION RESISTANCE: 1000 MEGOHMS MIN @ 500 VDC.
- DIELECTRIC STRENGTH 1000 VAC RMS 60Hz, 1MIN.

MECHANICAL:

- HOUSING MATERIAL : GLASS FILLED POLYESTER UL94V-0.
- CONTACT MATERIAL : PHOSPHOR BRONZE $\phi 0.46$ mm.
- PLATING : GOLD PLATING OVER NICKEL.
- OPERATING LIFE : 750 CYCLES MIN.
- PCB RETENTION PRE-SOLDER 1 LB MIN.
- PCB RETENTION POST-SOLDER: 10 LBS MIN.

ENVIRONMENTAL:

- STORAGE: -40°C TO +85°C.
- OPERATION: 0°C TO 70°C.

LPJE741XNNL

Gold Plating	"X"
Gold Flash	0 <input type="checkbox"/>
1.5u"	1 <input type="checkbox"/>
3u"	2 <input type="checkbox"/>
6u"	3 <input type="checkbox"/>
15u"	4 <input type="checkbox"/>
30u"	5 <input type="checkbox"/>
50u"	6 <input type="checkbox"/>



X:X	±0.20	APPD:	LINK-PP INT'L TECHNOLOGY CO., LIMITED
X:XX	±0.10	CHKD:	
X:XXX	±0.05	DR: James	TITLE: RJ11 1x4 CONNECTOR (6P 6C)
ANGLES	±1°	UNIT: mm	PART NO.: LPJE741XNNL
	SCALE: 2/1	SHEET: 1/1	REV: A
			DWG NO.: LP17081106