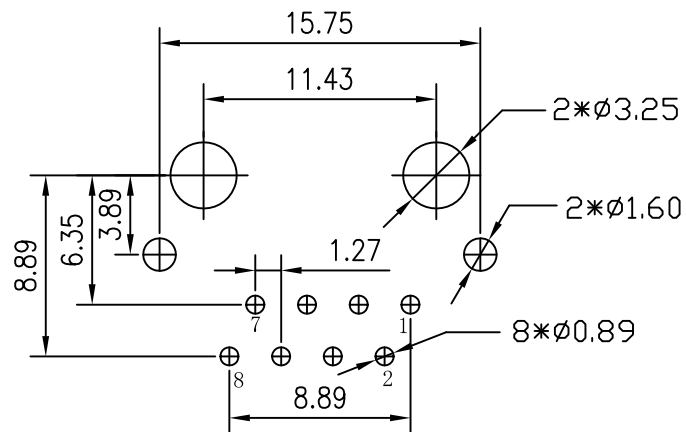
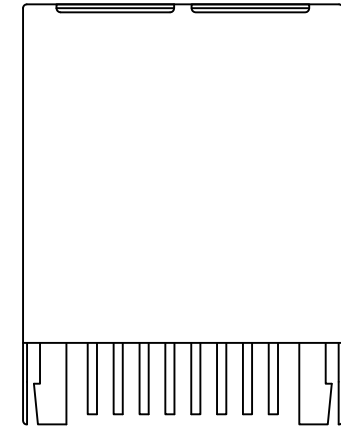
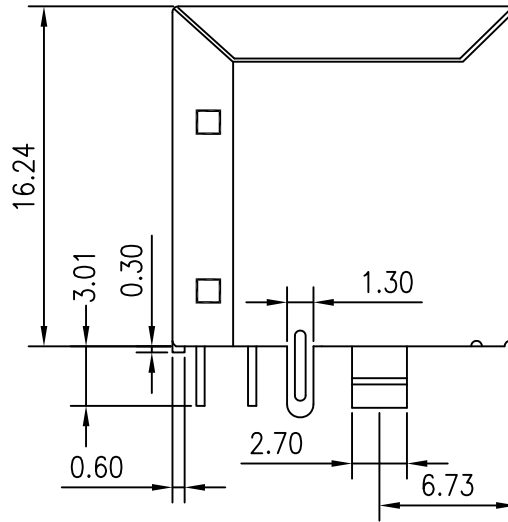
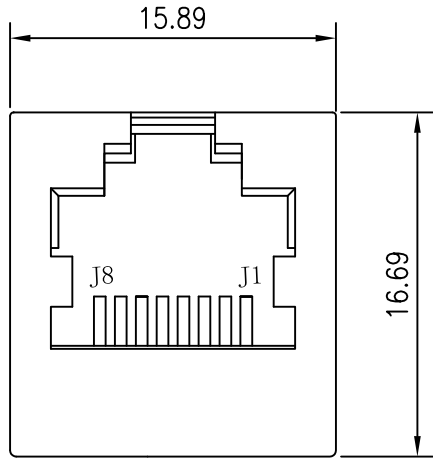


Mechanical:

REV.	ECN NO.	DESCRIPTION	DATE	APPD
A	REL		22/01/2010	



SUGGESTED PCB LAYOUT (TOP VIEW)

NOTES:

Electrical:

1. Voltage rating : 125 VAC RMS
2. Current Rating : 1.5 AMP
3. Contact resistance : 50 mΩ Max
4. Insulation resistance : 500 MΩ Min @500V DC
5. Dielectric strength : 1000 VAC RMS 60Hz, 1MIN.

MECHANICAL:

1. Housing & Insert Material : PBT UL94V-0.
2. Contact Material : Diameter 0.46mm Phosphor Bronze
Gold Plating Over Nickel.
3. Shield : 0.20-0.25mm Thickness Brass With tin Plated
4. Operating Life : 750 Cycles Min.

ENVIRONMENTAL:

1. Storage : -40°C ~ +85°C
2. Operation : -40°C ~ +85°C.
3. Wave solder temperature : 265°C Max 5 Sec.
4. UL Certification : File Number E484635.



X:X	±0.30	APPD:	LINK-PP INT'L TECHNOLOGY CO., LIMITED	
X:XX	±0.25	CHKD:	TITLE: RJ45 1×1 CONNECTOR, NO MAGNETICS, NO PANEL EATH 9	
X:XXX	±0.05	DR: TOM	PART NO.: LPJE681DNL	
ANGLES	±1°	UNIT: Inches/mm	DWG NO.: LP10012214	
	SCALE: 2/1	SHEET: 1/1	REV: A	DWG NO.: LP10012214