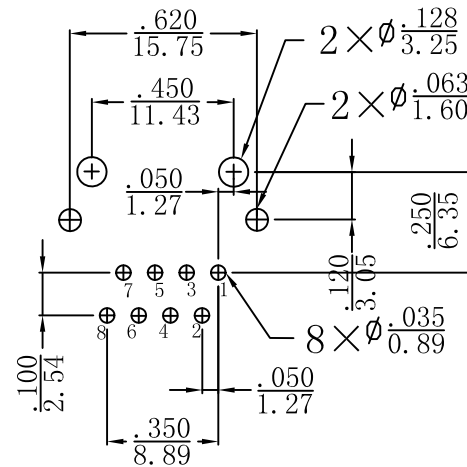
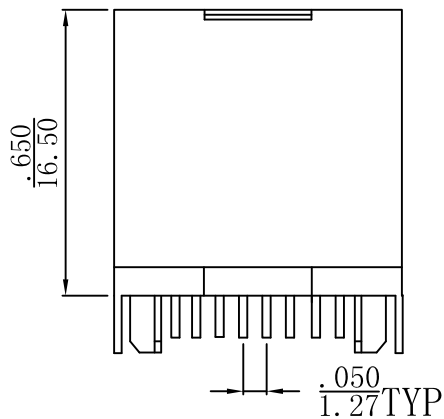
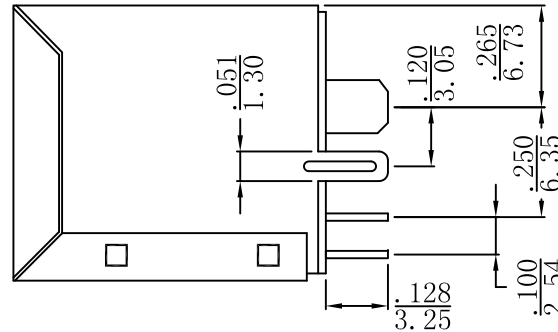
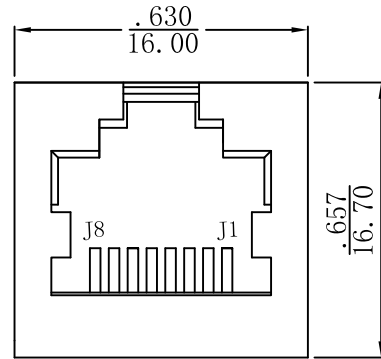


# Mechanical :

| REV. | ECN NO. | DESCRIPTION | DATE       | APPD |
|------|---------|-------------|------------|------|
| A    | REL     |             | 2010/01/22 |      |



SUGGESTED PCB LAYOUT (TOP VIEW)

## NOTES: MATERIAL:

- |                     |   |
|---------------------|---|
| 1. HOUSING MATERIAL | : GLASS FILLED POLYESTER UL94V-0.                   |
| 2. CONTACT MATERIAL | : PHOSPHOR BRONZE Ø0.46mm.                          |
| 3. PLATING          | : GOLD PLATING OVER NICKEL.                         |
| 4. SHIELD           | : 0.23mm THICKNESS COPPER ALLOY WITH NICKEL PLATED. |

## ELECTRICAL:

- |                                       |                             |
|---------------------------------------|-----------------------------|
| 1. VOLTAGE RATING                     | : 125VAC RMS.               |
| 2. CURRENT RATING                     | : 1.5AMP.                   |
| 3. CONTACT RESISTANCE                 | : 30 MILLIOHMS MAX.         |
| 4. INSULATION RESISTANCE              | : 500MEGOHMS MIN @ 500V DC. |
| 5. DIELECTRIC WITHSTANDING RESISTANCE | : 1000V AC RMS 50Hz. 1MIN.  |

## MECHANICAL:

- |                             |                   |
|-----------------------------|-------------------|
| 1. DURRABILITY              | : 750 CYCLES MIN. |
| 2. PCB RETENTION PRE-SOLDER | : 1LB MIN.        |

## ENVIRONMENTAL:

- |              |                   |
|--------------|-------------------|
| 1. STORAGE   | : -40°C TO +85°C. |
| 2. OPERATION | : -40°C TO +85°C. |

## LPJE680XDNL

| Gold Plating | "X" |
|--------------|-----|
| Gold Flash   | 0   |
| 1.5u"        | 1   |
| 3u"          | 2   |
| 6u"          | 3   |
| 15u"         | 4   |
| 30u"         | 5   |
| 50u"         | 6   |



|        |            |                 |                                       |                     |
|--------|------------|-----------------|---------------------------------------|---------------------|
| X:X    | ±0.30      | APPD:           | LINK-PP INT'L TECHNOLOGY CO., LIMITED |                     |
| X:XX   | ±0.25      | CHKD:           | TITLE: RJ45 1×1 CONNECTOR             |                     |
| X:XXX  | ±0.05      | DR: TOM         | PART NO.: LPJE680XDNL                 |                     |
| ANGLES | ±1°        | UNIT: Inches/mm |                                       |                     |
|        | SCALE: 2/1 | SHEET: 1/1      | REV: A                                | DWG NO.: LP10012204 |