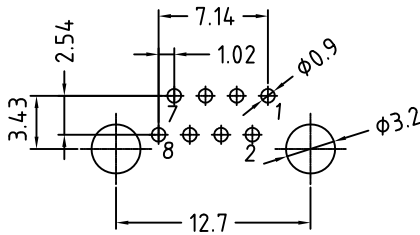
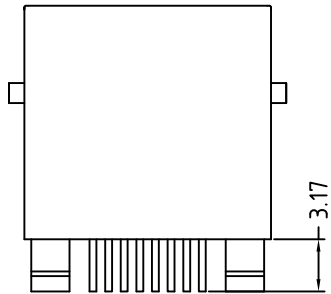
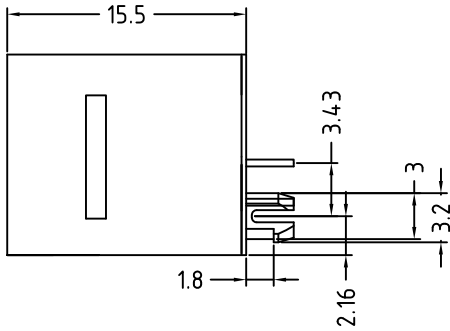
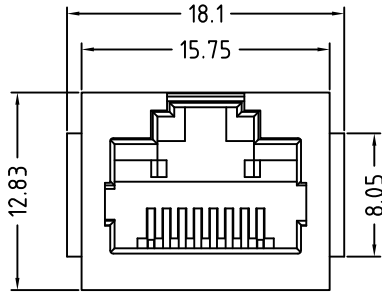


REV. 版本	ECN NO. 变更说明	DATE 日期
A		2015/12/25



SUGGESTED PCB LAYOUT  
(TOP VIEW)

NOTES

MATERIAL

- 1. HOUSING MATERIAL : PBT/PA46 UL94V-0.
- 2. CONTACT MATERIAL : PHOSPHOR BRONZE  $\phi 0.46$ mm.
- 3. PLATING : GOLD PLATING  $fu \sim 50u$  OVER NICKEL.
- 4. UL CERTIFICATION : FILE NUMBER E484635.

ELECTRICAL

- 1. VOLTAGE RATING : 125 VAC RMS.
- 2. CURRENT RATING : 1.5 AMP.
- 3. CONTACT RESISTANCE : 30 MILLIOHMS MAX.
- 4. INSULATION RESISTANCE : 500 MEGOHMS MIN @ 500V DC .
- 5. DIELECTRIC RESISTANCE : 1000V AC RMS 50Hz. 1MIN.

MECHANICAL

- 1. DURRABILITY : 750 CYCLES MIN.
- 2. PCB RETENTIONPRE-SOLDER : 1 LB MIN.

ENVIRONMENTAL:

- 1. STORAGE :  $-40^{\circ}\text{C} \sim +85^{\circ}\text{C}$ .
- 2. OPERATION :  $-40^{\circ}\text{C} \sim +85^{\circ}\text{C}$ .



RoHS Compliant

连普国际科技有限公司 LINK-PP INT'L TECHNOLOGY CO., LIMITED					<b>TOLERANCES</b> 0~15 $\pm 0.15$ 15~30 $\pm 0.20$ 30~50 $\pm 0.25$ 50~ $\pm 0.30$ ANGLES: $\pm 1^{\circ}$	<b>MATERIAL:</b>		<b>Designed:</b>		<b>NAME: Single Port RJ45 Connector</b>	
	<b>A4</b> <b>SIZE</b>	<b>SCALE</b> 1:1	<b>UNIT</b> mm	<b>CUSTOMER:</b>		<b>FINISH:</b>		<b>Checked:</b>		<b>DWG NO: LP15122550</b>	
					<b>SHEET 1 OF 1</b>			<b>Approved:</b>		<b>PART NO: LPJE651NNL</b>	