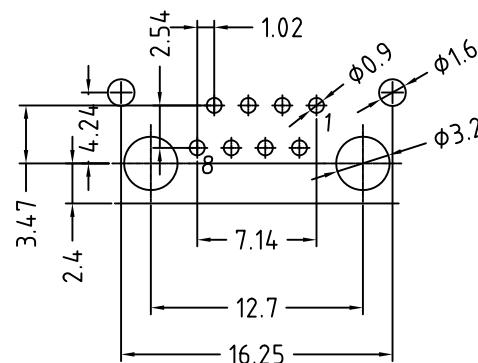
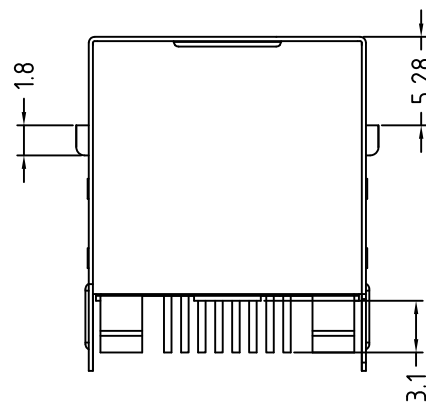
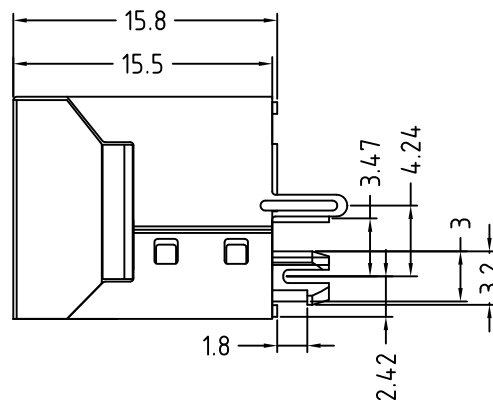
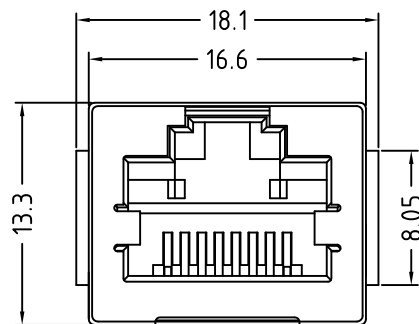


REV. 版本	ECN NO. 变更说明	DATE 日期
A		2015/12/25



SUGGESTED PCB LAYOUT
(TOP VIEW)

NOTES

MATERIAL

- HOUSING MATERIAL : PBT/PA46 UL94V-0.
- CONTACT MATERIAL : PHOSPHOR BRONZE $\phi 0.46\text{mm}$.
- PLATING : GOLD PLATING $\text{fu} \sim 50\mu$ OVER NICKEL.
- SHIELD : 0.20mm THICKNESS COPPER ALLOY WITH NICKEL PLATED.
- UL CERTIFICATION : FILE NUMBER E484635.

ELECTRICAL

- VOLTAGE RATING : 125 VAC RMS.
- CURRENT RATING : 1.5 AMP.
- CONTACT RESISTANCE : 30 MILLIOHMS MAX.
- INSULATION RESISTANCE : 500 MEGOHMS MIN @ 500V DC .
- DIELECTRIC RESISTANCE : 1000V AC RMS 50Hz. 1MIN.

MECHANICAL

- DURRABILITY : 750 CYCLES MIN.
- PCB RETENTIONPRE-SOLDER : 1 LB MIN.

ENVIRONMENTAL :

- STORAGE : $-40^{\circ}\text{C} \sim +85^{\circ}\text{C}$.
- OPERATION : $-40^{\circ}\text{C} \sim +85^{\circ}\text{C}$.



RoHS Compliant

连普国际科技有限公司 LINK-PP INT'L TECHNOLOGY CO., LIMITED				TOLERANCES 0~15 ± 0.15 15~30 ± 0.20 30~50 ± 0.25 50~ ± 0.30 ANGLES: $\pm 1^{\circ}$		MATERIAL: Designed:		NAME: Single Port RJ45 Connector	
FINISH: Checked:		SHEET 1 OF 1		Approved:		DWG NO: LP15122512		REV	
CUSTOMER:		SCALE: 1:1 UNIT: mm		SIZE: A4		PART NO: LPJE651DNL		A	