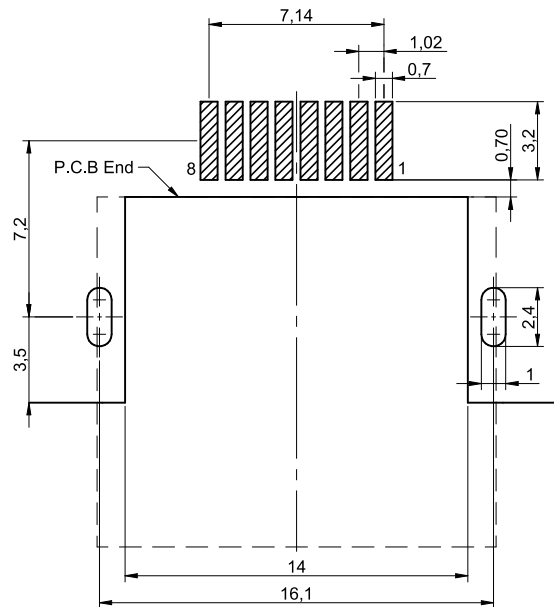
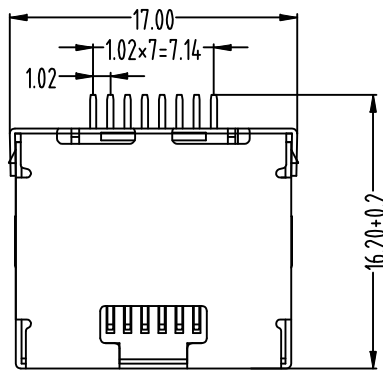
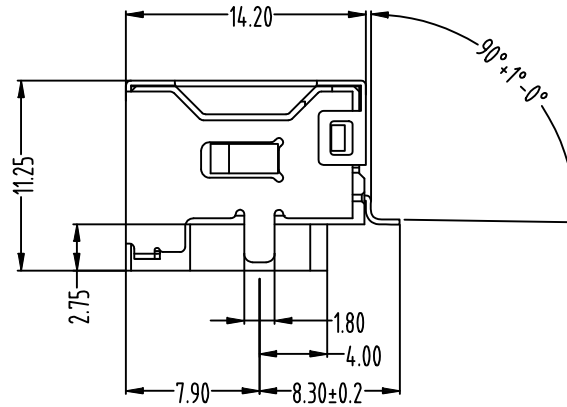
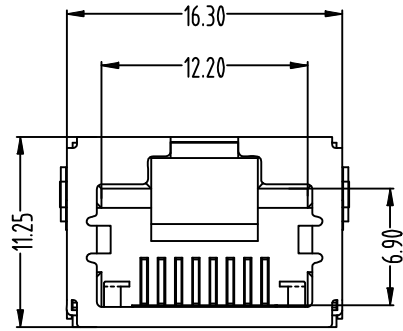


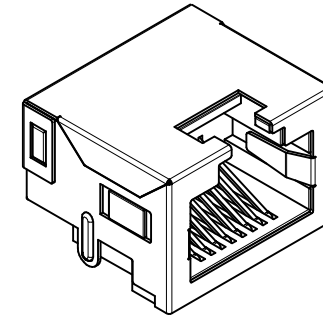
Mechanical:

Dimensions: [mm]



Recommended Land Pattern: [mm]

General tolerance: 0.05mm



REV.	ECN NO.	DESCRIPTION	DATE	APPD
A	REL		2011/03/19	

NOTES:

Electrical:

1. Voltage rating : 125 VAC RMS
2. Current Rating : 1.5 AMP
3. Contact resistance : 50 mΩ Max
4. Insulation resistance : 500 MΩ Min @500V DC
5. Dielectric strength : 1000 VAC RMS 60Hz, 1MIN.

MECHANICAL:

1. Housing & Insert Material : LCP UL94V-0.
2. Contact Material : Diameter 0.46mm Phosphor Bronze
Gold Plating 3u Over Nickel.
3. Shield : 0.20-0.25mm Thickness Brass
With tin Plated
4. Operating Life : 750 Cycles Min.

ENVIRONMENTAL:

1. Storage : -40°C ~ +85°C
2. Operation : -40°C ~ +85°C.
3. Maximum reflow temperature: 250°C, 10 Sec.
4. UL Certification : File Number E484635.

X:X	APPD:	LINK-PP INT'L TECHNOLOGY CO., LIMITED		
X:XX ±0.10	CHKD:	TITLE: SMT RJ45 Jack, Ultra Low Profile Mid Mounting 8.50mm Above PCB		
X:XXX	DR: TOM	PART NO.: LPJE4717-2DNL		
ANGLES ±1°	UNIT: mm	DWG NO.: LP110319002		
	SCALE: 1/1	SHEET: 1/1	REV: A	