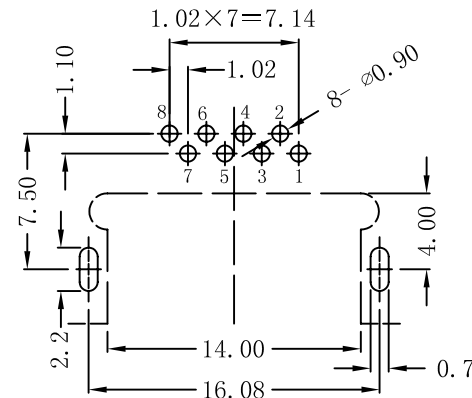
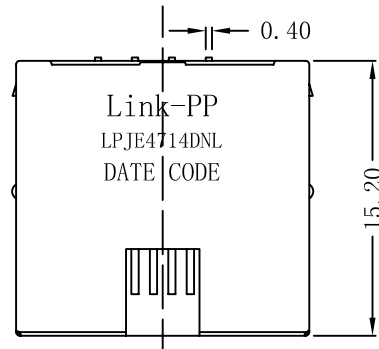
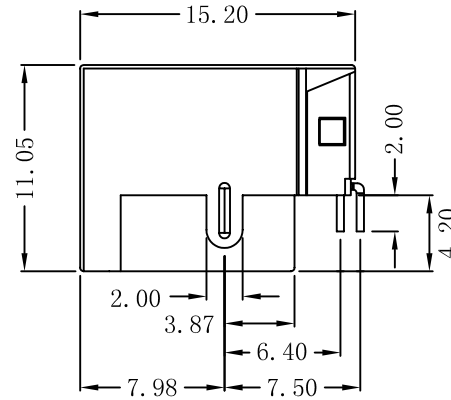
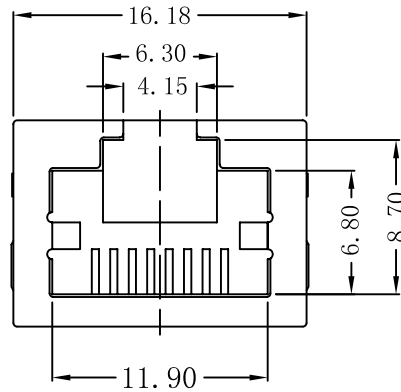
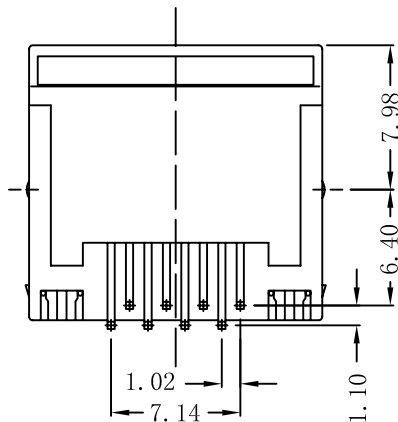


# Mechanical:

REV.	ECN NO.	DESCRIPTION	DATE	APPD
A	REL		2011/12/23	



SUGGESTED PCB LAYOUT (TOP VIEW)



## NOTES:

### ELECTRICAL:

- VOLTAGE RATING: 125 VAC RMS.
- CURRENT RATING: 1.5 AMP
- CONTACT RESISTANCE: 30 MILLIOHMS MAX
- INSULATION RESISTANCE: 500 MEGOHMS MIN @500 VDC
- DIELECTRIC STRENGTH:  
1000 VAC RMS 50Hz or 60Hz, 1 MIN

### MECHANICAL:

- HOUSING & INSERT MATERIAL: PBT UL94V-0.
- CONTACT MATERIAL: DIAMETER 0.45MM PHOSPHOR BRONZE GOLD PLATING OVER NICKEL.
- SHIELD:  
0.20~0.25MM THICKNESS BRASS WITH TIN PLATED.
- MATING/UNMATING FORCE: 2.2KG. F MAX.
- RETENTION STRENGTH: 7.7KG. F MIN BETWEEN JACK AND PLUG.
- OPERATING LIFE: 600 CYCLES MIN.
- PLATING GOLD THICKNESS:  
GOLD FLASH/1.5u"/3u"/6u"/15u"/30u"/50u"

### ENVIRONMENTAL:

- TEMPERATURE RANGE: -45°C ~ +70°C.



TEL: 86-755-29079263  
 FAX: 86-755-29075755  
 WEBSITE: www.link-pp.com

X:X	±0.20	APPD:	LINK-PP INT'L TECHNOLOGY CO., LIMITED	
X:XX	±0.10	CHKD:		
X:XXX	±0.05	DR: TOM	Title: RJ45 Connector - THT	
ANGLES	±1°	UNIT: mm	PART NO.: LPJE4714DNL	
	SCALE: 2/1	SHEET: 1/1	REV: A	DWG: LP11122302