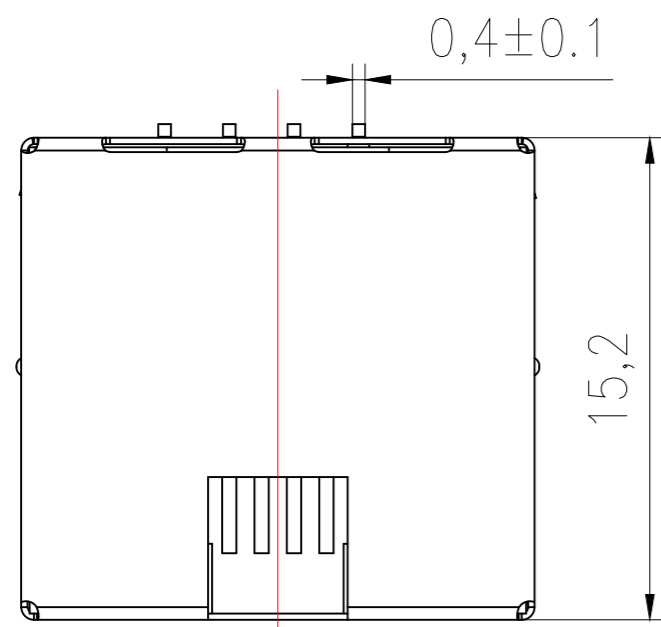


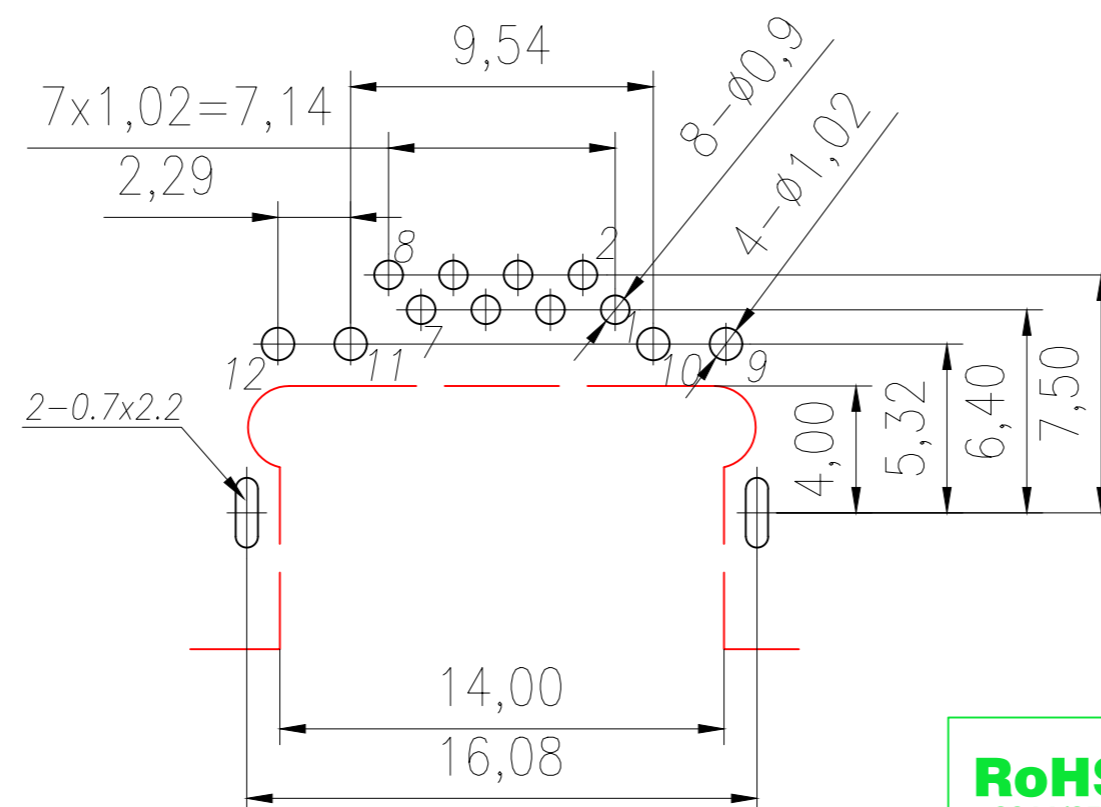
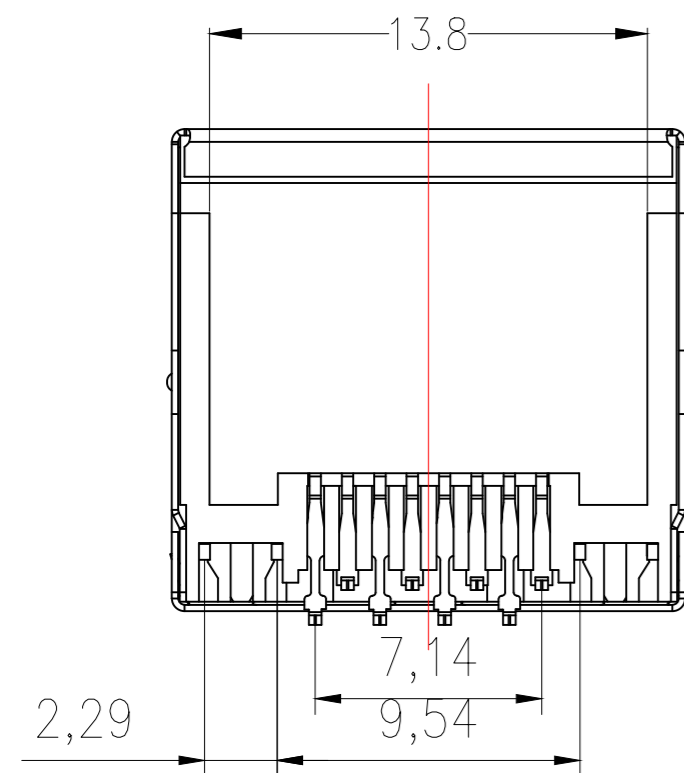
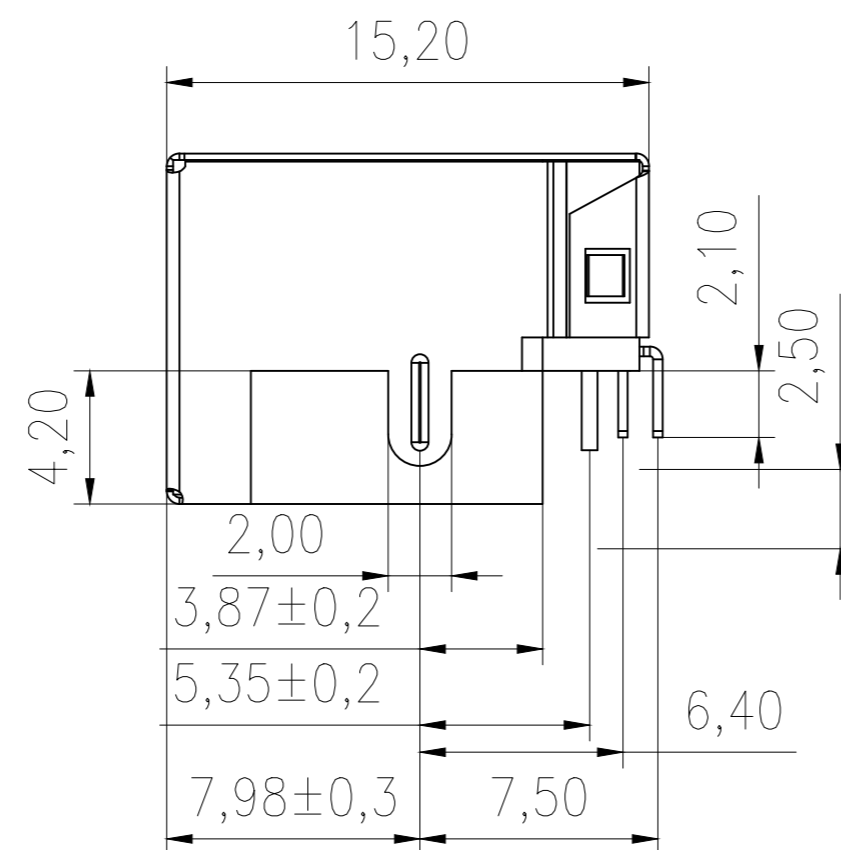
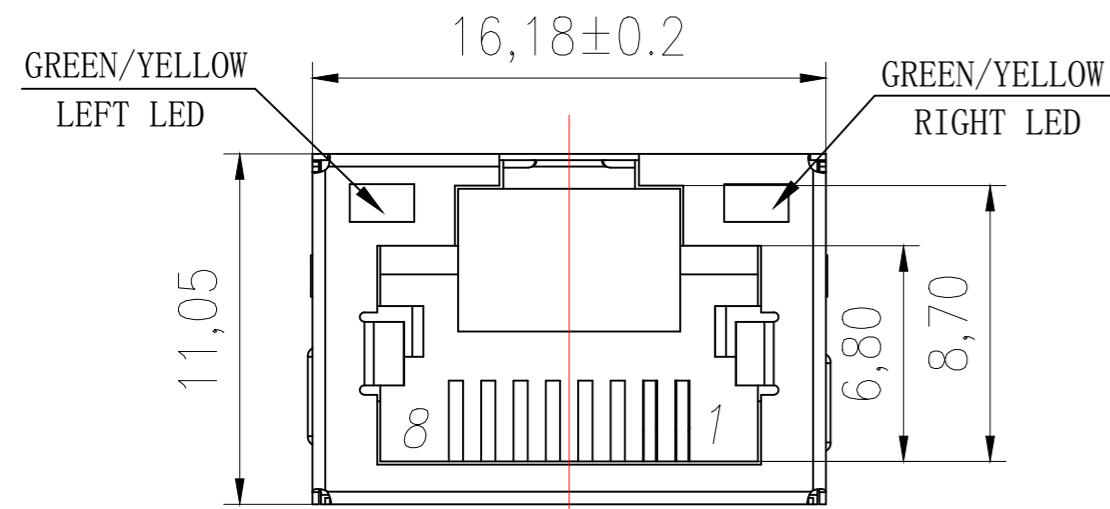
Mechanical:

REV.	ECN NO.	DESCRIPTION	DATE	APPD
A	REL		2013/04/11	



LPJE4714-XB4NL

Gold Plating	"X"
Gold Flash	0 <input checked="" type="checkbox"/>
1.5u"	1 <input type="checkbox"/>
3u"	2 <input type="checkbox"/>
6u"	3 <input type="checkbox"/>
15u"	4 <input type="checkbox"/>
30u"	5 <input type="checkbox"/>
50u"	6 <input type="checkbox"/>



SUGGESTED PCB LAYOUT (TOP VIEW)



NOTES:

ELECTRICAL:

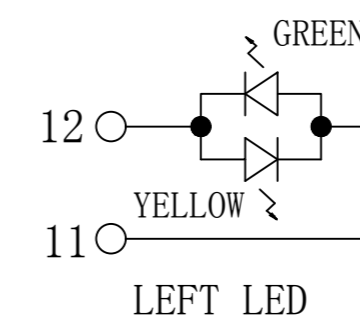
- VOLTAGE RATING: 125 VAC RMS.
- CURRENT RATING: 1.5 AMP
- CONTACT RESISTANCE: 30 MILLIOHMS MAX
- INSULATION RESISTANCE: 500 MEGOHMS MIN @500 VDC
- DIELECTRIC STRENGTH:
1000 VAC RMS 50Hz or 60Hz, 1 MIN

MECHANICAL:

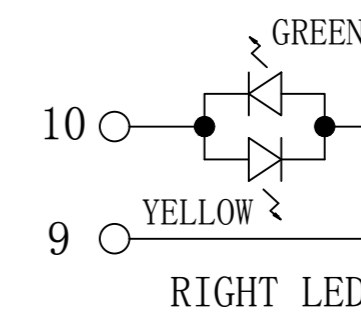
- HOUSING & INSERT MATERIAL: PBT UL94V-0.
- CONTACT MATERIAL: DIAMETER 0.45MM PHOSPHOR BRONZE
GOLD PLATING OVER NICKEL.
- SHIELD:
0.20~0.25MM THICKNESS BRASS WITH TIN PLATED.
- MATING/UNMATING FORCE: 2.2KG.F MAX.
- RETENTION STRENGTH: 7.7KG.F MIN BETWEEN JACK AND PLUG.
- OPERATING LIFE: 600 CYCLES MIN.
- PLATING GOLD THICKNESS:
GOLD FLASH/1.5u"/3u"/6u"/15u"
/30u"/50u"

ENVIRONMENTAL:

- TEMPERATURE RANGE: -45°C~+70°C.
- Wave solder tip temperature and time: 250°C, 5 Sec.
- UL Certification: File Number E484635.



LEFT LED



RIGHT LED

Emitting Color	λp(nm)	V _F @I _F =20mA	I _R @V _R =5V
GREEN	565	1.8~2.6V	10 μA max
YELLOW	585	1.8~2.6V	10 μA max

X:X	±0.20	APPD:	TOM	LINK-PP INT'L TECHNOLOGY CO., LIMITED
X:XX	±0.10	CHKD:	JAMES	
X:XXX	±0.05	DR:	LEO	TITLE: RJ45 Connector - THT
ANGLES	±1°	UNIT:	mm	PART NO.: LPJE4714-OB4NL
	SCALE:	2/1	SHEET:	1/1
		REV:	A	DWG: LP13041105