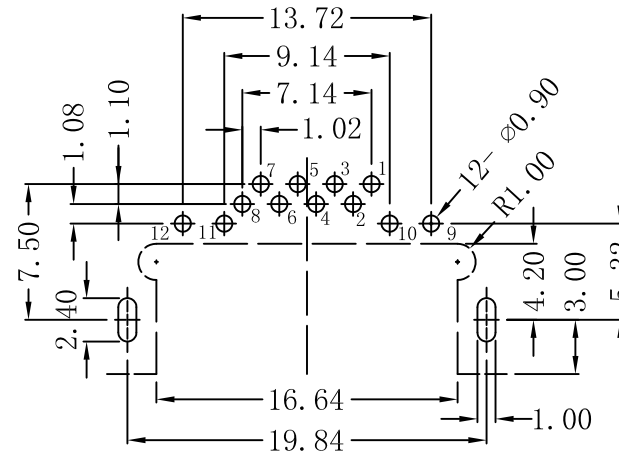
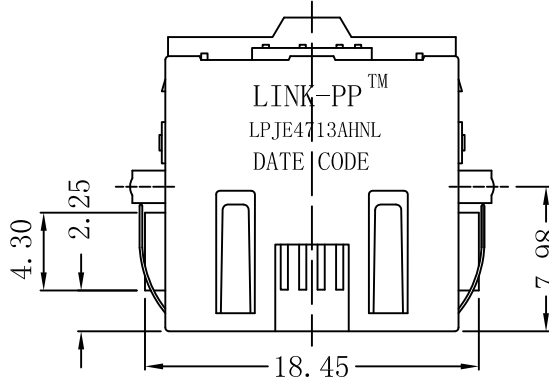
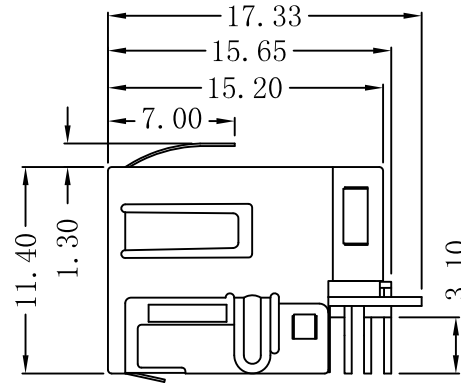
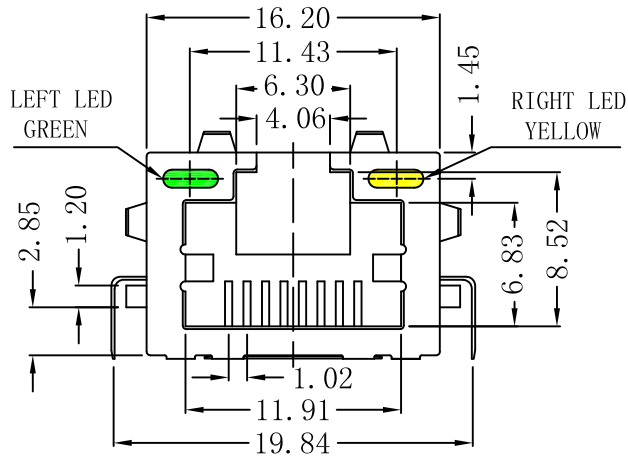


Mechanical:

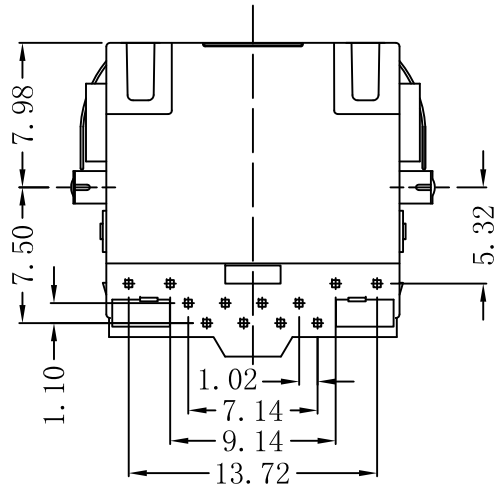
REV.	ECN NO.	DESCRIPTION	DATE	APPD
A	REL		2010/05/31	



SUGGESTED PCB LAYOUT (TOP VIEW)

- PCB JACK Electrical:
- Insulation Resistance:
500 Megohms Min@500VDC.
 - Dielectric Strength:
1000VAC RMS 50Hz 1Min.
 - Operating: 750 Cycles Min.
 - Plating Gold Thickness:
Gold Flash/1.5u"/3u"/6u"/15u"
/30u"/50u"

- Environmental:
- Temperature Range: -45°C ~ +85°C.



X:X	±0.30	APPD:	LINK-PP INT'L TECHNOLOGY CO., LIMITED	
X:XX	±0.25	CHKD:	TITLE: RJ45 Connector - THT	
X:XXX	±0.05	DR: TOM	PART NO.: LPJE4713AHNL	
ANGLES	±1°	UNIT: mm		
	SCALE: 2/1	SHEET: 1/1	REV: A	DWG: LP10053110