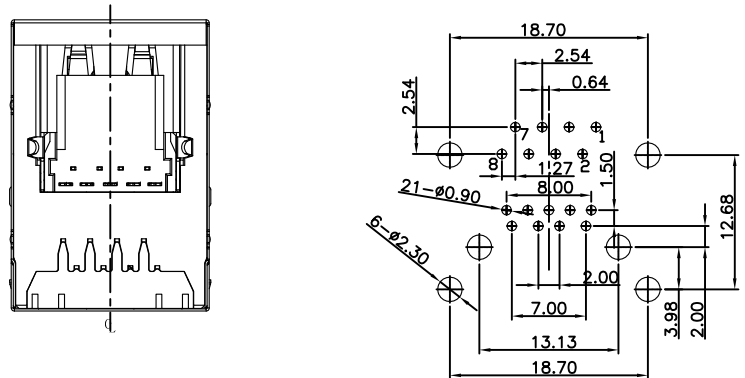
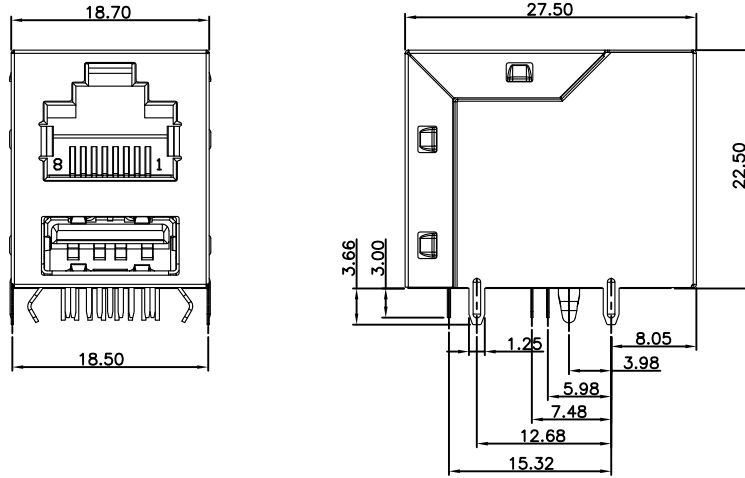


REV	ECN NO.	DATE
1	变更料号	2015.9.12

MECHANICAL :



RECOMMENDED P.C.B LAYOUT
TOP VIEW (COMPONENT SIDE)

NOTES

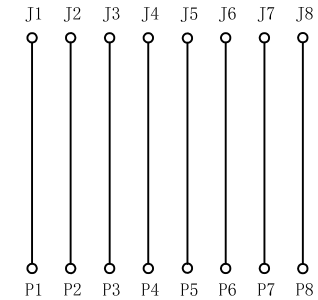
- MATERIAL
- 1. HOUSING MATERIAL : PBT, UL94V-0.
 - 2. CONTACT MATERIAL : COPPER ALLOY T=0.30mm.
 - 3. PLATING : CONTACT AREA-SELECTIVE GOLD PLATING, TAILS PLATING TIN OVER NICKEL.
 - 4. SHIELD : 0.20mm THICKNESS COPPER ALLOY WITH NICKEL PLATED.

- ELECTRICAL
- 1. VOLTAGE RATING : 125 VAC RMS.
 - 2. CURRENT RATING : 1.5 AMP.
 - 3. CONTACT RESISTANCE : 30 MILLIOHMS MAX.
 - 4. INSULATION RESISTANCE : 500 MEGOHMS MIN @ 500V DC .
 - 5. DIELECTRIC RESISTANCE : 1500V AC RMS 50Hz. 1MIN.

- MECHANICAL
- 1. DURRABILITY : 750 CYCLES MIN.
 - 2. PCB RETENTIONPRE-SOLDER : 1 LB MIN.

- ENVIRONMENTAL:
- 1. STORAGE : -40°C~+85°C.
 - 2. OPERATION : -40°C~+85°C.

SCHEMATIC



TOLERANCES 公差		DATE 日期	2013-12-30		LINK-PP INT'L TECHNOLOGY CO.,LIMITED			
mm		MATERIAL 材质			TITEL 品名	RJ45+USB*1 3.0 无灯无弹		
.0± 0.30	±	FINISH 电镀			PART NO. 料号	LPJE319DNL		SIZE A4
.00± 0.25	±	SCALE 比例	1:1	UNIT 单位	mm	Checked 审核	38	Approved 核准
.000± 0.10	±	ANGLES	± 1°		Designed 设计	TOM		SHEET 1 OF 1
THIRD ANGLE PROJECTION								