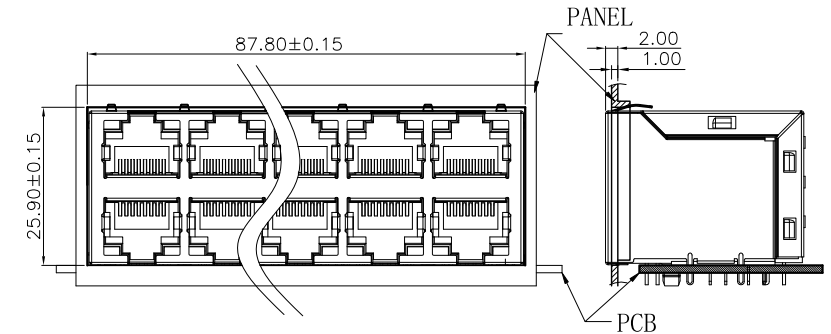
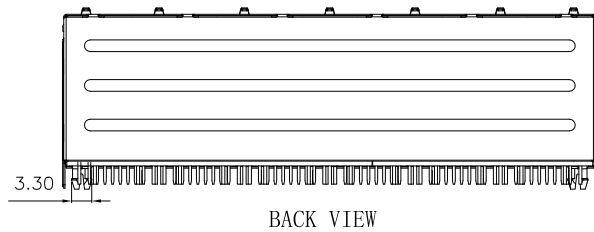
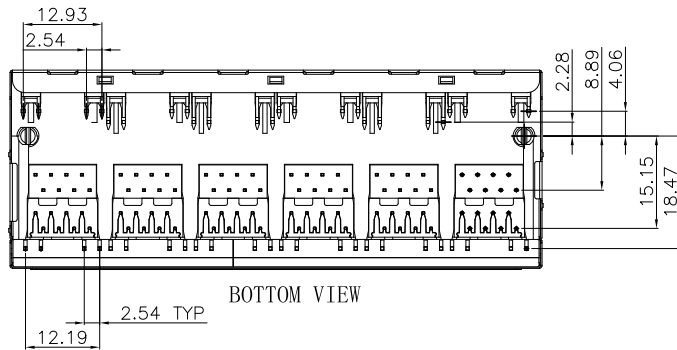
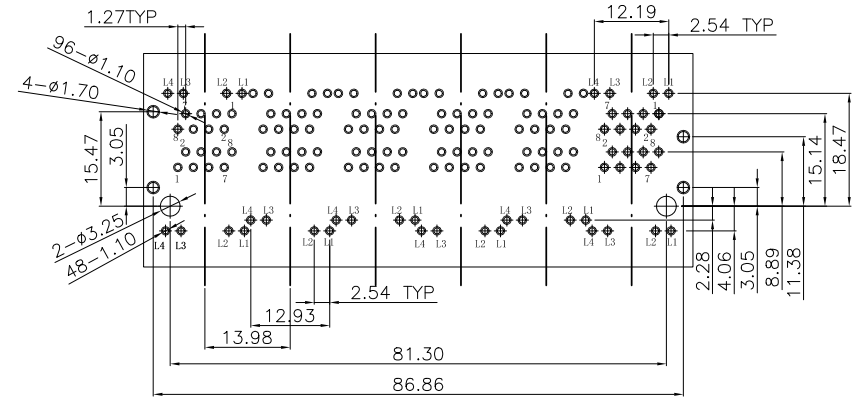
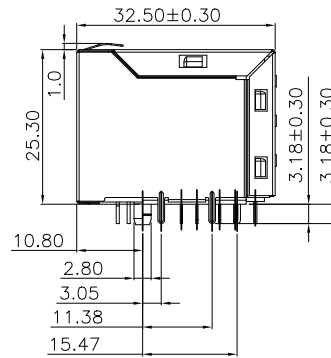
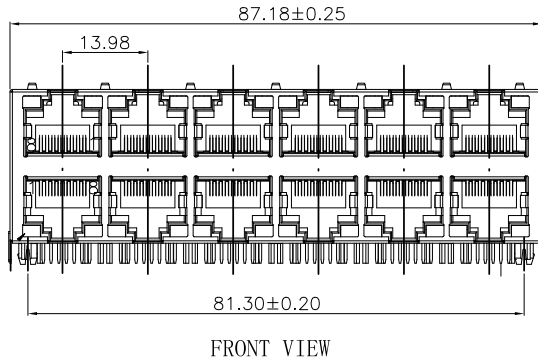


Mechanical:

| REV. | ECN NO. | DESCRIPTION | DATE | APPD |
|------|---------|-------------|------------|------|
| A | REL | | 2019/05/12 | |



NOTES:

MECHANICAL:

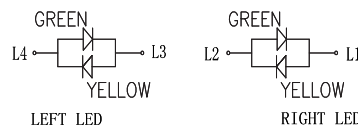
- Housing : High Temp. Thermoplastic, Black, UL 94V-0.
- Contact : Phospor Bronze T=0.35mm.
- Shield : SUS201 1/2H
- Operating Life : 750 Cycles Min.

Electrical:

- Voltage rating : 125 VAC RMS
- Current Rating : 1.5 AMP
- Contact resistance : 50 mΩ Max
- Insulation resistance : 500 MΩ Min @500V DC
- Dielectric strength : 1500 VAC RMS 60Hz, 1MIN.

ENVIRONMENTAL:

- Storage : -40°C ~ +85°C
- Operation : -40°C ~ +85°C.
- Wave solder temperature : 265°C Max, 5 Sec.
- UL Certification : File Number E484635.



| Emitting Color | λp(nm) | VF@IF=20mA | IR @VR=5V |
|----------------|--------|------------|-----------|
| GREEN | 565 | 1.8~2.6V | 10 μA max |
| YELLOW | 585 | 1.8~2.6V | 10 μA max |

| | | | |
|--------|------------|------------|---|
| X:X | ±0.30 | APPD: | LINK-PP INT'L TECHNOLOGY CO., LIMITED |
| X:XX | ±0.25 | CHKD: | |
| X:XXX | ±0.05 | DR: TOM | TITLE: RJ45 CON 2x6, Shielded W. LED (G/Y-G/Y) |
| ANGLES | ±1° | UNIT: mm | PART NO.: LPJE265AHNL |
| | SCALE: 2/1 | SHEET: 1/1 | REV: A |
| | | | DWG NO.: LP19051205 |