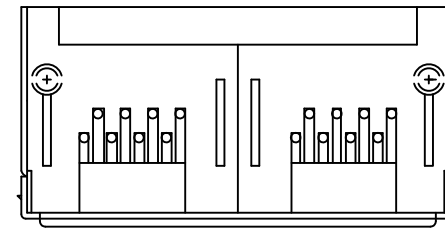
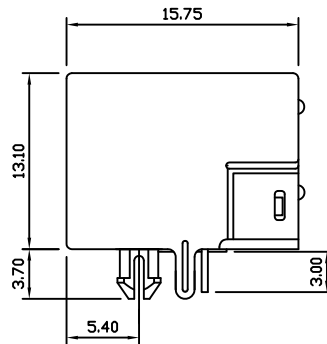
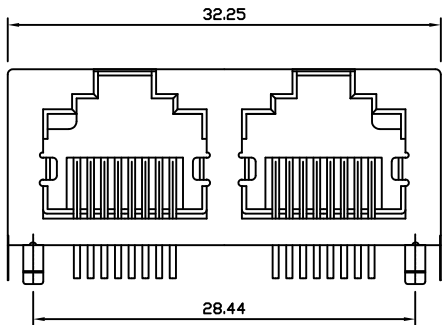


Mechanical:

REW.	ECN NO.	DESCRIPTION	DATE	APPD
A	REL		2010-01-05	



NOTES:

Electrical:

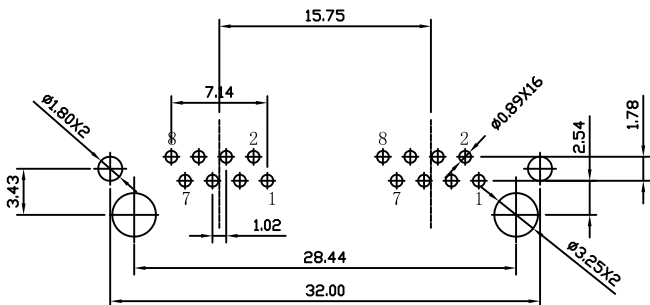
- 1. Voltage rating : 125 VAC RMS
- 2. Current Rating : 1.5 AMP
- 3. Contact resistance : 50 mΩ Max
- 4. Insulation resistance : 500 MΩ Min @500V DC
- 5. Dielectric strength : 1500 VAC RMS 60Hz, 1MIN.

MECHANICAL:

- 1. Housing & Insert Material : PBT UL94V-0.
- 2. Contact Material : Diameter 0.46mm Phosphor Bronze
Gold Plating Over Nickel.
- 3. Operating Life : 750 Cycles Min.

ENVIRONMENTAL:

- 1. Storage : -40°C ~ +85°C
- 2. Operation : -40°C ~ +85°C.
- 3. Wave solder temperature : 265°C MAX 5 Sec
- 4. UL Certification : File Number E484635.



PC Board Layout (Top View)



X:X	±0.30	APPD:	LINK-PP INT'L TECHNOLOGY CO., LIMITED	
X:XX	±0.25	CHKD:	TITLE: 1×2 RJ45 Connector	
X:XXX	±0.05	DR: TOM	PART NO.: LPJE201DNL	
ANGLES	±1°	UNIT: mm	REV: A DWG NO.: LP10010513	
	SCALE: 1/1	SHEET: 1/1		