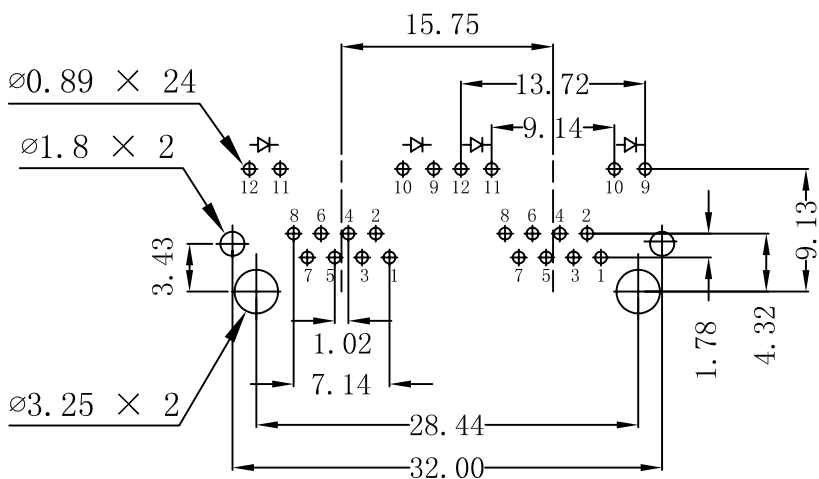
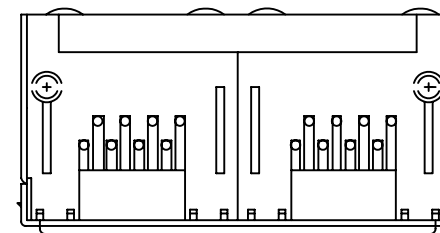
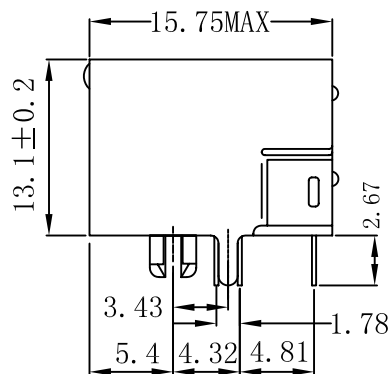
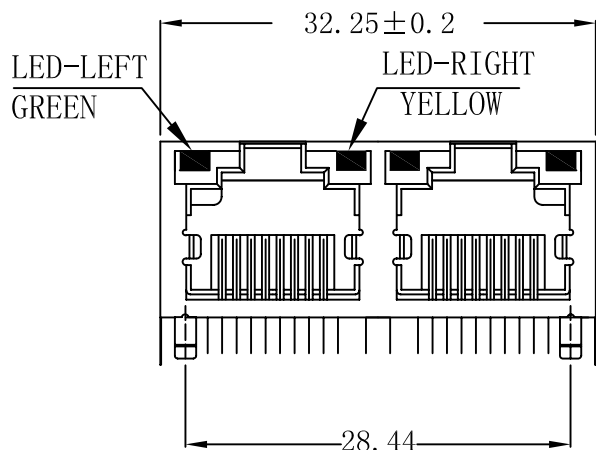
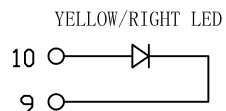
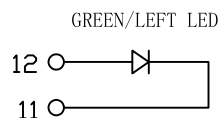


Mechanical:

REW.	ECN NO.	DESCRIPTION	DATE	APPD
A	REL		26/08/2009	



PC Board Layout (TOP VIEW)  
Component Side Shown



NOTES:

PCB JACK Specification

1. Insulation Resistance: 500MΩ MIN @ 500 VDC
2. Withstanding Voltage: AC1000V 50Hz or 60Hz 1min.
3. Durability: 600 Mating Circles MIN.
4. Gold Plating:  
(Gold Flash; 1.5; 3; 6; 15; 30; 50) u inch

ENVIRONMENTAL

1. Storage Temperature: -40°C To +85°C
2. Operation Temperature: -40°C To +85°C
3. Wave Soldering Temperature:  
255°C ~ 265°C (5 ~ 10 Seconds)
4. RoHS Compliant.

X:X	±0.20	APPD:	LINK-PP INT'L TECHNOLOGY CO., LIMITED	
X:XX	±0.10	CHKD:	Title: SIDE ENTRY PCB JACK WITH SHIELD	
X:XXX	±0.05	DR: TOM	PART NO.: LPJE201BHNL	
ANGLES	±1°	UNIT: mm		
	SCALE: 1/1	SHEET: 1/1	REV: A	DWG NO.: LP09082602