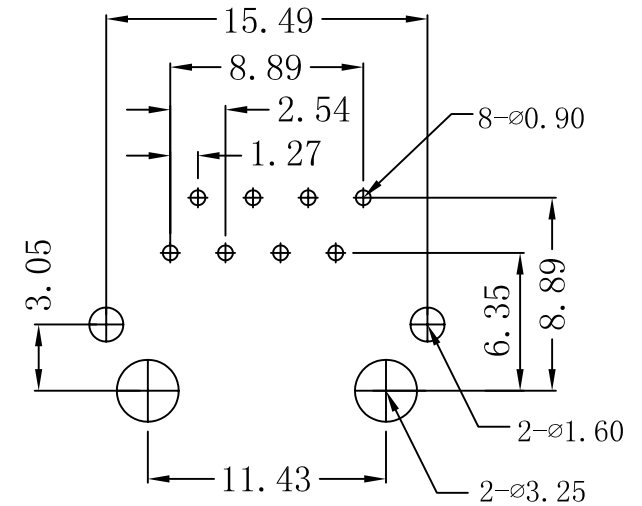
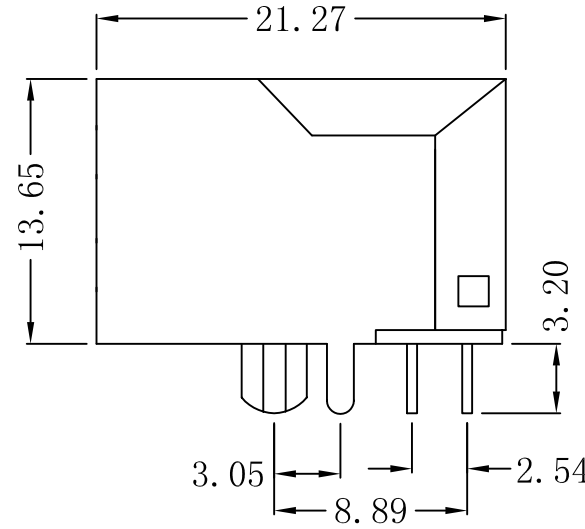
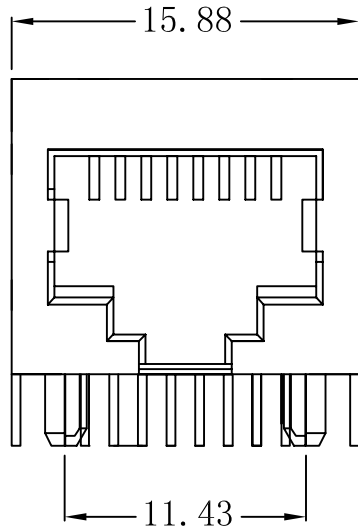


Mechanical:

REV.	ECN NO.	DESCRIPTION	DATE	APPD
A	REL		08/12/2008	



SUGGESTED PCB LAYOUT (TOP VIEW)

LPJE160XDNL

Gold Plating	"X"
1.5u"	1 <input type="checkbox"/>
3u"	2 <input type="checkbox"/>
6u"	3 <input type="checkbox"/>
15u"	4 <input type="checkbox"/>
30u"	5 <input type="checkbox"/>
50u"	6 <input type="checkbox"/>

PCB JACK Electrical:

1. Insulation Resistance: 500 Megohms Min@500VDC.
2. Dielectric Strength: 1000VAC RMS 50Hz 1Min.
3. Operating: 750 Cycles Min.

Environmental:

1. Temperature Range: -45°C ~ +85°C.



X:X	±0.20	APPD:	LINK-PP INT'L TECHNOLOGY CO., LIMITED	
X:XX	±0.10	CHKD:	TITLE: RJ45 1×1 Connector	
X:XXX	±0.05	DR: TOM	PART NO.: LPJE160XDNL	
ANGLES	±1°	UNIT: mm		
	SCALE: 2/1	SHEET: 1/1	REV: A	DWG: TRC08120806