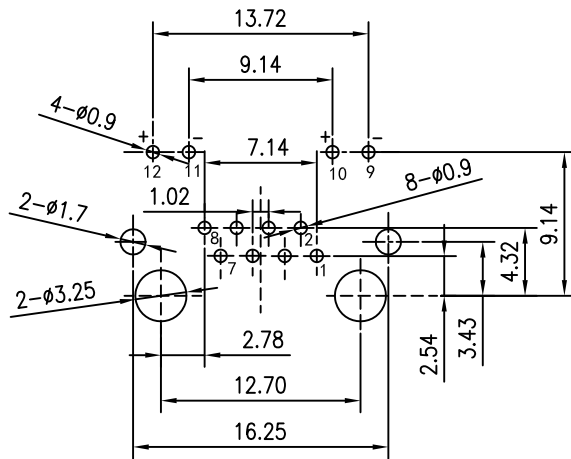
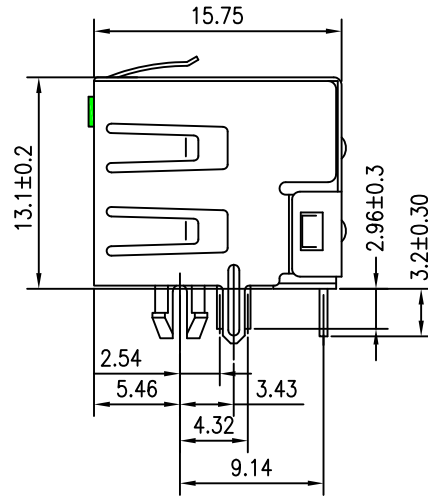
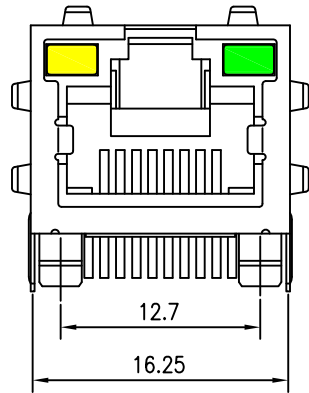
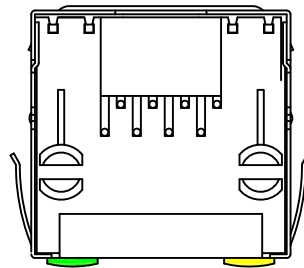


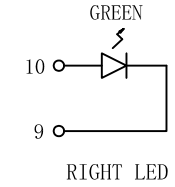
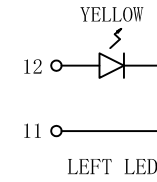
Mechanical:



SUGGESTED PCB LAYOUT
(TOP VIEW)



REV.	ECN NO.	DESCRIPTION	DATE	APPD
A	REL		2015-4-29	



Emitting Color	λ p(nm)	V _F @I _F =20mA	IR @V _R =5V
GREEN	565	1.8~2.6V	10 μ A max
YELLOW	585	1.8~2.6V	10 μ A max

NOTES:

Electrical:

1. Voltage rating : 125 VAC RMS
2. Current Rating : 1.5 AMP
3. Contact resistance : 50 m Ω Max
4. Insulation resistance : 500 M Ω Min @500V DC
5. Dielectric strength : 1500 VAC RMS 60Hz, 1MIN.

MECHANICAL:

1. Housing & Insert Material : PBT UL94V-0.
2. Contact Material : Diameter 0.46mm Phosphor Bronze
Gold Plating Over Nickel.
3. Shield : 0.20~0.25mm Thickness Brass
With tin Plated
4. Operating Life : 750 Cycles Min.

ENVIRONMENTAL:

1. Storage : -40 $^{\circ}$ C ~ +85 $^{\circ}$ C
2. Operation : -40 $^{\circ}$ C ~ +85 $^{\circ}$ C.
3. Wave solder temperature : 265 $^{\circ}$ C 5 Sec MAX
4. UL Certification : File Number E484635.

X:X	± 0.30	APPD:	LINK-PP INT'L TECHNOLOGY CO., LIMITED
X:XX	± 0.25	CHKD:	
X:XXX	± 0.05	DR: TOM	TITLE: RJ45 1*1 Connector
ANGLES	$\pm 1^{\circ}$	UNIT: mm	PART NO.: LPJE101AGNL
	SCALE: 2/1	SHEET: 1/1	REV: A DWG NO.: LP15041621