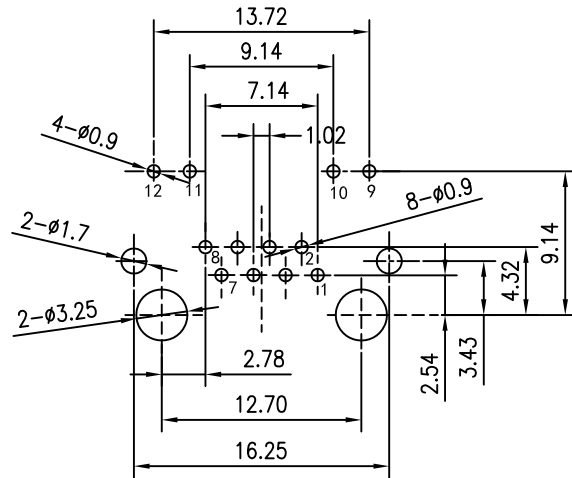
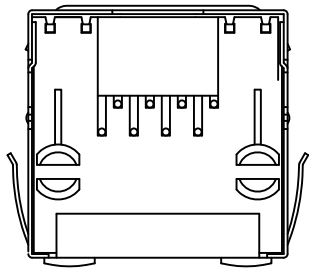
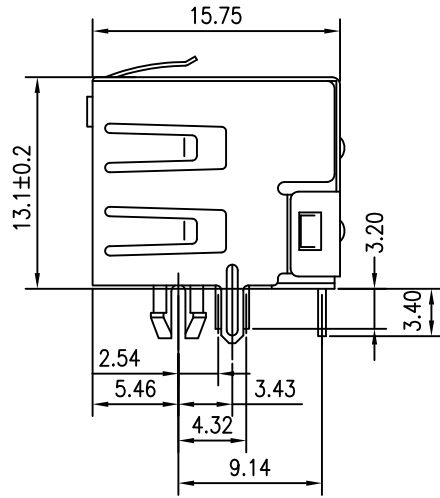
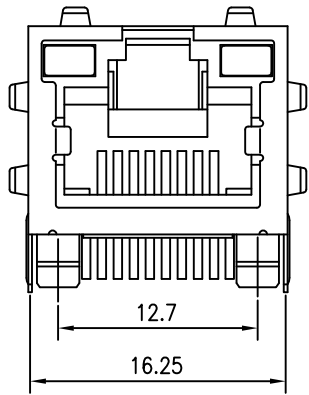
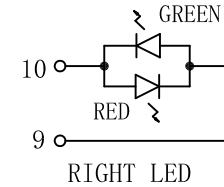
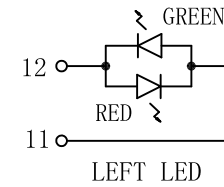


# Mechanical:



SUGGESTED PCB LAYOUT(TOP VIEW)

REV.	ECN NO.	DESCRIPTION	DATE	APPD
A	REL		2015-4-29	



Emitting Color	$\lambda$ p(nm)	VF@IF=20mA	IR @VR=5V
GREEN	565	1.8~2.4V	10 $\mu$ A max
RED	620	1.8~2.4V	10 $\mu$ A max

## NOTES:

### Electrical:

1. Voltage rating : 125 VAC RMS
2. Current Rating : 1.5 AMP
3. Contact resistance : 50 m $\Omega$  Max
4. Insulation resistance : 500 M $\Omega$  Min @500V DC
5. Dielectric strength : 1500 VAC RMS 60Hz, 1MIN.

### MECHANICAL:

1. Housing & Insert Material : PBT UL94V-0.
2. Contact Material : Diameter 0.46mm Phosphor Bronze  
Gold Plating Over Nickel.
3. Shield : 0.20-0.25mm Thickness Brass  
With tin Plated
4. Operating Life : 750 Cycles Min.

### ENVIRONMENTAL:

1. Storage : -40 $^{\circ}$ C ~ +85 $^{\circ}$ C
2. Operation : -40 $^{\circ}$ C ~ +85 $^{\circ}$ C.
3. Wave solder temperature : 265 $^{\circ}$ C MAX, 5 Sec.
4. UL Certification : File Number E484635.

X:X	$\pm 0.30$	APPD:	LINK-PP INT'L TECHNOLOGY CO., LIMITED
X:XX	$\pm 0.25$	CHKD:	
X:XXX	$\pm 0.05$	DR: TOM	TITLE: RJ45 1*1 Connector
ANGLES	$\pm 1^{\circ}$	UNIT: mm	PART NO.: LPJE101A65NL
	SCALE: 2/1	SHEET: 1/1	REV: A DWG NO.: LP15041610