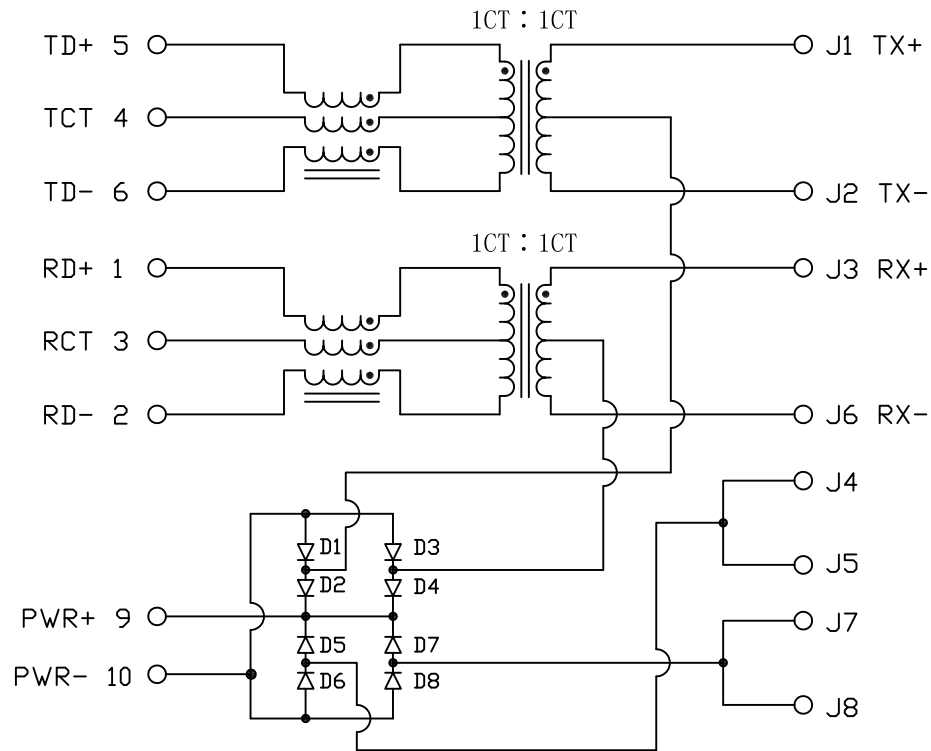


Schematic:

REV.	ECN NO.	DESCRIPTION	DATE	APPD
A	REL		2011/08/12	

PC BOARD CONNECTIONS

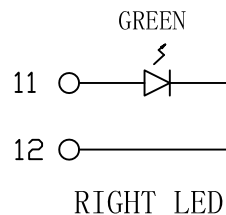
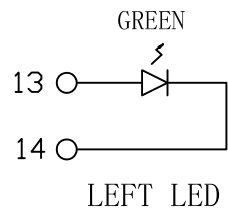


RJ45 CONNECTOR

Electrical Specifications @25°C

- Impedance: 100 ohms
- OCL: 350uH Min
@100KHz, 0.1V, 8mADC BIAS
- PoE Current: 350mADC Max
- Turns Ratio:
TX = 1CT : 1CT RX = 1CT : 1CT
- Insertion Loss:
0.5-100MHz: -1.1dB Max
- Return Loss (dB Min):
0.5-30MHz: -18
30.1-60MHz: -18-20LOG(f/30)
60.1-80MHz: -12
- Crosstalk (dB Min):
0.5-40MHz: -35
40.1-100MHz: -33-20LOG(f/50)
- Common Mode Rejection Ratio (CMRR):
0.5-100MHz: -30dB Min
- Isolation Voltage: 1500Vrms
- Operating Temperature: -40°C ~ +85°C

D1-D8 = Rectifier Diode
 Forward Voltage $v_f = 1.2V$ Max @ $I_f = 0.5A$
 Forward Current $I_f = 0.5A$ Max
 Reverse Voltage $v_r = 80V$ Max

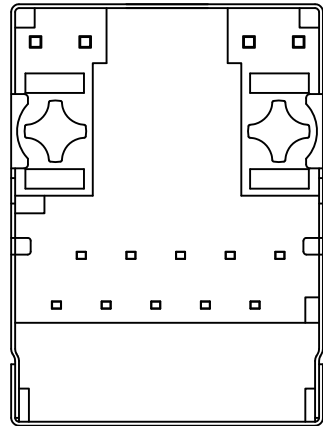
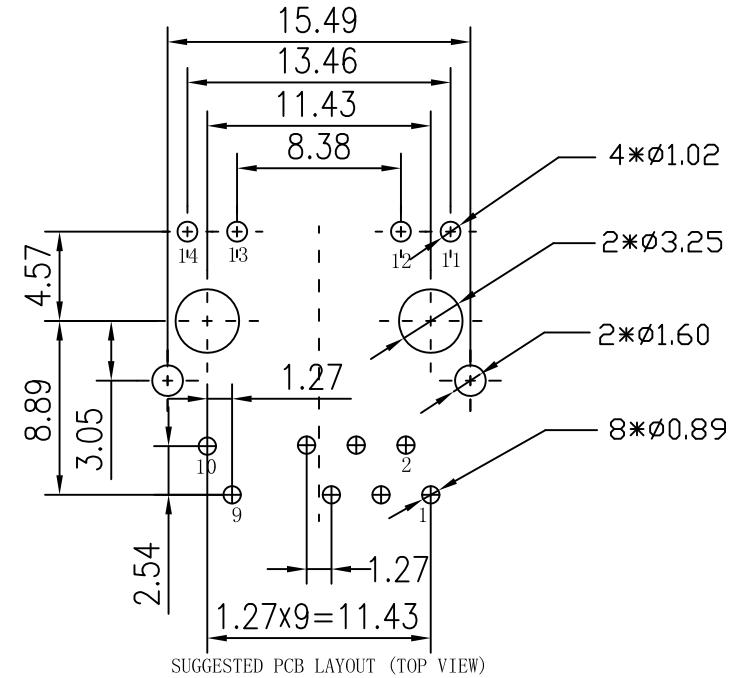
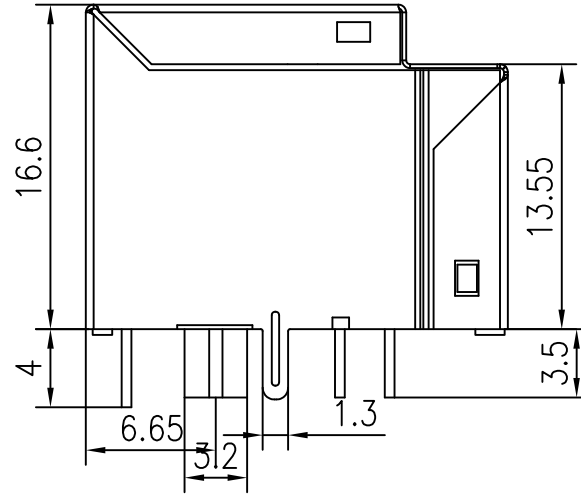
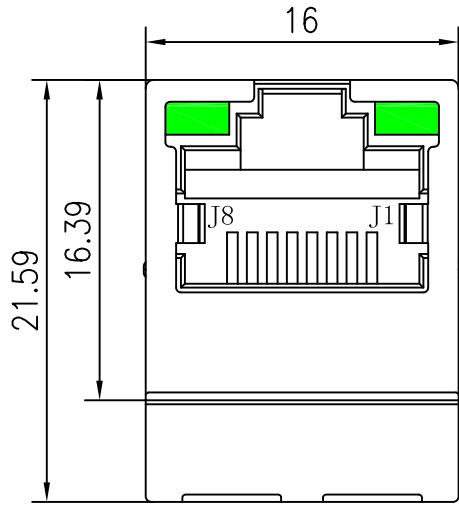


Emitting Color	λ p(nm)	VF@IF=20mA	IR @VR=5V
GREEN	565	1.8~2.6V	10 μ A max

X:X	± 0.30	APPD:	LINK-PP LINK-PP INT'L TECHNOLOGY CO., LIMITED
X:XX	± 0.25	CHKD:	
X:XXX	± 0.05	DR: TOM	TITLE: Vertical RJ45 Connector With 10/100 Magnetic For PoE Application
ANGLES	$\pm 1^\circ$	UNIT: mm	PART NO.: LPJD5189BFNL
	SCALE: 2/1	SHEET: 1/2	REV: A DWG NO.: LP11081223

Mechanical :

REV.	ECN NO.	DESCRIPTION	DATE	APPD
A	REL		2011/08/12	



NOTES:

1. Designed to support application, such as SOHO (ADSL modems), LAN-on-Motherboard (LOM), hub and Switches.
2. Meets IEEE 802.3 specification
3. Connector Materials:
 Housing: Thermoplastic UL94V-0
 Contact/Shield: Copper alloy
 Shield plating: Nickel
 Contact plating: Gold 6 micro-inches min. In contact area.
4. Wave solder tip temperature: 265°C, 5 Sec Max.

X:X	±0.30	APPD:	LINK-PP LINK-PP INT'L TECHNOLOGY CO., LIMITED TITLE: Vertical RJ45 Connector With 10/100 Magnetic For PoE Application PART NO.: LPJD5189BFNL		
X:XX	±0.25	CHKD:			
X:XXX	±0.05	DR: TOM			
ANGLES	±1°	UNIT: mm			
		SCALE: 2/1	SHEET: 2/2	REV: A	DWG NO.: LP11081223